

Rack Installation Guide

Guide d'installation en rack

Rack-Installationsanleitung

ラック取り付けガイド

Guía de instalación del rack

Rack Installation Guide

Notes, Notices, and Cautions



NOTE: A NOTE indicates important information that helps you make better use of your computer.



NOTICE: A NOTICE indicates either potential damage to hardware or loss of data and tells you how to avoid the problem.



CAUTION: A CAUTION indicates a potential for property damage, personal injury, or death.

Information in this document is subject to change without notice.

© 2004 Dell Inc. All rights reserved.

Reproduction in any manner whatsoever without the written permission of Dell Inc. is strictly forbidden.

Trademarks used in this text: *RapidRails* and *VersaRails* are trademarks of Dell Inc.

Other trademarks and trade names may be used in this document to refer to either the entities claiming the marks and names or their products. Dell Inc. disclaims any proprietary interest in trademarks and trade names other than its own.

Contents

CAUTION: Safety Instructions	1-5
SAFETY: Rack Mounting of Systems	1-5
Installation Instructions	1-6
Four-Post Rack Installation.	1-7
Before You Begin	1-7
Recommended Tools and Supplies	1-7
RapidRails Rack Kit Contents	1-8
VersaRails Rack Kit Contents	1-8
Installation Tasks	1-9
Removing the Rack Doors	1-9
Marking the Rack	1-10
Installing the RapidRails Slide Assemblies	1-12
Installing the VersaRails Slide Assemblies	1-13
Installing the System in the Rack	1-14
Installing the Cable-Management Arm	1-16
Replacing the Rack Doors	1-20
Two-Post Rack Installation.	1-21
Two-Post Rack Installation Tasks	1-21
Recommended Tools and Supplies	1-21
Rack Kit Contents	1-22
Marking the Rack	1-22
Installing the Slide Assemblies in the Rack	1-24
Installing the System in the Rack	1-30
Installing the Cable-Management Arm	1-30
Routing Cables	1-30
 Index	 1-31

Figures

Figure 1-1.	RapidRails Rack Kit Contents	1-8
Figure 1-2.	VersaRails Rack Kit Contents	1-9
Figure 1-3.	One Rack Unit	1-10
Figure 1-4.	Marking the Vertical Rails	1-11
Figure 1-5.	Installing the RapidRails Slide Assemblies	1-12
Figure 1-6.	Installing the VersaRails Slide Assemblies	1-14
Figure 1-7.	Installing the System in the Rack (RapidRails or VersaRails)	1-15
Figure 1-8.	Installing the Cable-Management Arm	1-17
Figure 1-9.	Installing the Cable-Management Arm	1-18
Figure 1-10.	Routing the Power Cords	1-19
Figure 1-11.	Routing Cables	1-20
Figure 1-12.	Two-Post Rack Kit Components	1-22
Figure 1-13.	Two-Post, Open-Frame Relay Rack Universal-Hole Spacing	1-23
Figure 1-14.	Two-Post, Open-Frame Relay Rack Wide-Hole Spacing	1-23
Figure 1-15.	Brackets Prepared for Center-Mount Installation	1-25
Figure 1-16.	Installing the Slide Assemblies for Center-Mount Configuration	1-26
Figure 1-17.	Rotating the Front Mounting Bracket for Flush-Mount Installation	1-28
Figure 1-18.	Installing the Slide Assemblies for Flush-Mount Configuration	1-29

CAUTION: Safety Instructions

Use the following safety guidelines to help ensure your own personal safety and to help protect your system and working environment from potential damage. For complete safety information, see the *Product Information Guide*.


SAFETY: Rack Mounting of Systems

Observe the following precautions for rack stability and safety.


Systems are considered to be components in a rack. Thus, "component" refers to any system as well as to various peripherals or supporting hardware.

 **CAUTION: Installing systems in a rack without the front and side stabilizers installed could cause the rack to tip over, potentially resulting in bodily injury under certain circumstances. Therefore, always install the stabilizers before installing components in the rack.**

After installing system/components in a rack, never pull more than one component out of the rack on its slide assemblies at one time. The weight of more than one extended component could cause the rack to tip over and injure someone.

 **NOTE:** Your system is safety-certified as a free-standing unit and as a component for use in a rack cabinet using the customer rack kit. The installation of your system and rack kit in any other rack cabinet has not been approved by any safety agencies. It is your responsibility to ensure that the final combination of system and rack complies with all applicable safety standards and local electric code requirements. The manufacturer disclaims all liability and warranties in connection with such combinations.

- System rack kits are intended to be installed in a rack by trained service technicians. If you install the kit in any other rack, be sure that the rack meets the specifications.

 **CAUTION: Do not move racks by yourself. Due to the height and weight of the rack, a minimum of two people should accomplish this task.**

- Before working on the rack, make sure that the stabilizers are secured to the rack, extended to the floor, and that the full weight of the rack rests on the floor. Install front and side stabilizers on a single rack or front stabilizers for joined multiple racks before working on the rack.
- Always load the rack from the bottom up, and load the heaviest item in the rack first.
- Make sure that the rack is level and stable before extending a component from the rack.
- Use caution when pressing the component rail release latches and sliding a component into or out of a rack; the slide rails can pinch your fingers.
- After a component is inserted into the rack, carefully extend the rail into a locking position, and then slide the component into the rack.

CAUTION: Safety Instructions (continued)

- Do not overload the AC supply branch circuit that provides power to the rack. The total rack load should not exceed 80 percent of the branch circuit rating.
- Ensure that proper airflow is provided to components in the rack.
- Do not step on or stand on any component when servicing other components in a rack.

Installation Instructions


This installation guide provides instructions for trained service technicians installing one or more systems in an open-frame relay rack or in a rack cabinet. The RapidRails™ rack kit can be installed without tools in manufacturer's rack cabinets that have square holes; the VersaRails™ rack kit can be installed in most industry-standard rack cabinets that have square or round holes. The procedures for installing both RapidRails and VersaRails rack kits are similar. One rack kit is required for each system installed in the rack.

This guide includes procedures for the following rack kits:


- RapidRails kit in a four-post rack cabinet
- VersaRails kit in a four-post rack cabinet
- Two-post kit (installed in either center-mount or flush-mount configuration, for 3- or 6-inch-wide racks)

For ease in troubleshooting and determining the health of your system, some rack kits include a status-indicator cable that relays the information from the two-color status indicators on the front and back panels to the back of the cable-management arm. For more information on these indicators, see your system *User's Guide*.

Before attempting this installation, you should read through this entire document carefully.

 **CAUTION: Do not install rack kit components designed for another system. Use only the rack kit for your system. Using the rack kit for another system may result in damage to the system and personal injury to yourself and to others.**

Rack Requirements for VersaRails


 **NOTICE:** The VersaRails rack kit is intended to be installed by trained service technicians in a rack that meets the specifications of American National Standards Institute (ANSI)/Electronic Industries Association (EIA) standard ANSI/EIA-310-D-92, International Electrotechnical Commission (IEC) 297, and Deutsche Industrie Norm (DIN) 41494. One rack kit is required for each system that is installed in a rack.


Four-Post Rack Installation

Before attempting this installation, you should read through this entire procedure carefully.

Before You Begin


Before you begin installing your system in the rack, carefully read the safety instructions found at the beginning of this guide, as well as the safety instructions found in your system's *Product Information Guide* for additional information.

 **CAUTION:** When installing multiple systems in a rack, complete all of the procedures for the current system before attempting to install the next system.


 **CAUTION:** Rack cabinets can be extremely heavy and move easily on the casters. The cabinet has no brakes. Use extreme caution while moving the rack cabinet. Retract the leveling feet when relocating the rack cabinet. Avoid long or steep inclines or ramps where loss of cabinet control may occur. Extend the leveling feet for support and to prevent the cabinet from rolling.


Important Safety Information

Observe the safety precautions in the following subsections when installing your system in the rack.

 **CAUTION:** You must strictly follow the procedures in this document to protect yourself as well as others who may be involved. Your system may be very large and heavy, and proper preparation and planning are important to prevent injury to yourself and to others. This becomes increasingly important when systems are installed high up in the rack.

Rack Stabilizer Feet

 **CAUTION:** Installing systems in a rack without the front and side stabilizer feet installed could cause the rack to tip over, potentially resulting in bodily injury under certain circumstances. Therefore, always install the stabilizer feet before installing components in the rack.

 **CAUTION:** After installing systems in a rack, never pull more than one system out of the rack on its slide assemblies at one time. The weight of more than one extended system could cause the rack to tip over and cause injury.

The stabilizer feet help prevent the rack from tipping over when a system or other component is pulled out of the rack with the slide assemblies fully extended. Refer to the documentation provided with the rack cabinet for instructions on installing and anchoring the stabilizer feet.

Recommended Tools and Supplies

You may need the following tools and supplies to install the system in a four-post rack:

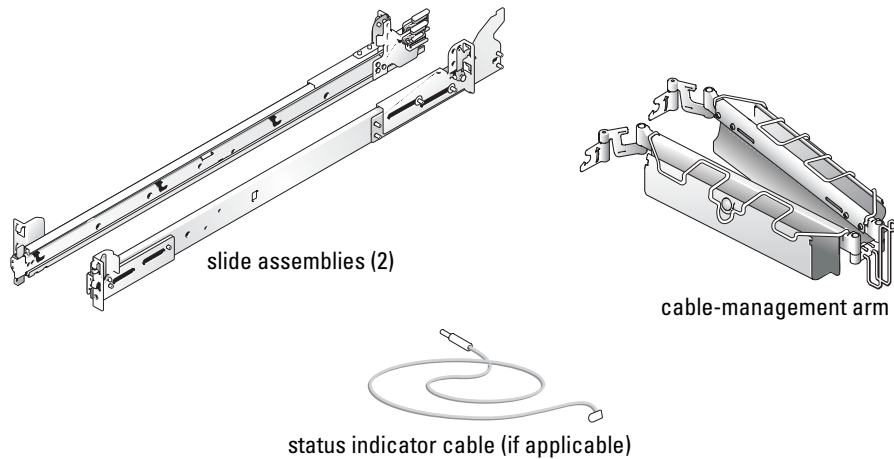
- A #2 Phillips screwdriver (for installing VersaRails slide assemblies)
- Masking tape or a felt-tip pen, for use in marking the mounting holes to be used

RapidRails Rack Kit Contents

The RapidRails rack kit includes the following items (see Figure 1-1):

- One pair of RapidRails slide assemblies
- One cable-management arm
- One status indicator cable (if applicable)
- Tie-wraps (not shown in Figure 1-1)

Figure 1-1. RapidRails Rack Kit Contents



VersaRails Rack Kit Contents

The VersaRails rack kit includes the following items (see Figure 1-2):

- One pair of VersaRails slide assemblies
- One cable-management arm
- One status indicator cable (if applicable)
- Eight 10-32 x 0.5-inch flange-head Phillips screws
- Tie-wraps (not shown in Figure 1-2)


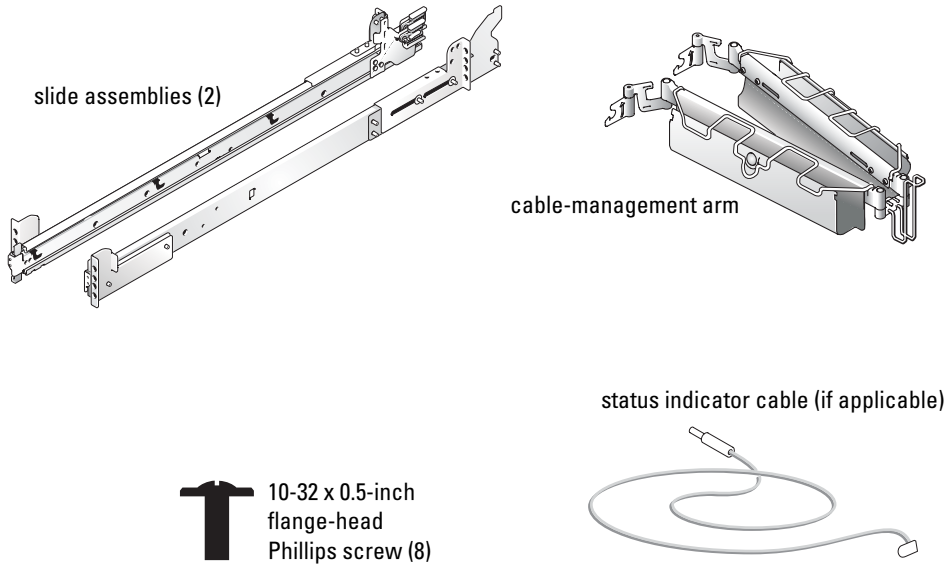
 **NOTE:** The nonmetric screws described in illustrations and in procedural steps are identified by size and number of threads per inch. For example, a #10 Phillips-head screw with 32 threads per inch is identified as a 10-32 screw.

Figure 1-2. VersaRails Rack Kit Contents



Installation Tasks

Installing a rack kit involves performing the following tasks in their numbered order:

- 1 Removing the rack doors
- 2 Marking the rack (if necessary)
- 3 Installing the slide assemblies in the rack:
 - RapidRails installation
 - VersaRails installation
- 4 Installing the system in the rack
- 5 Installing the cable-management arm
- 6 Routing cables
- 7 Replacing the rack doors

Removing the Rack Doors

See the procedures for removing doors in the documentation provided with your rack cabinet.

⚠ CAUTION: Because of the size and weight of the rack cabinet doors, never attempt to remove or install them by yourself.

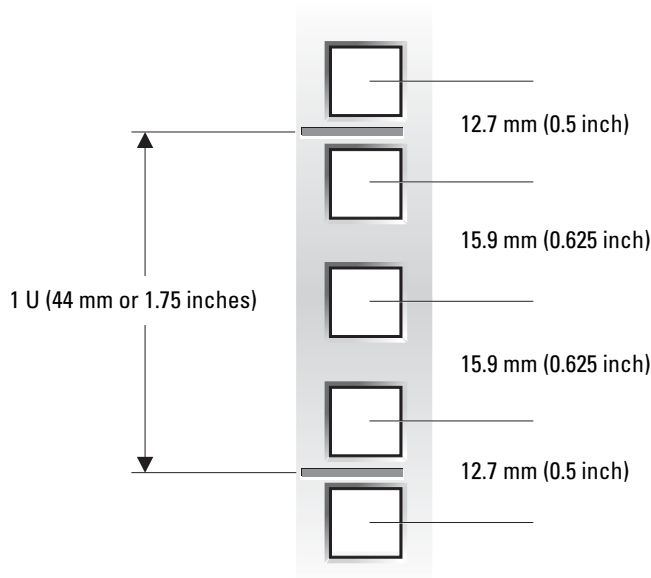
⚠ CAUTION: Store the two doors where they will not injure someone if the doors accidentally fall over.

Marking the Rack

You must allow 2 U (88 mm, or 3.5 inches) of vertical space for each system you install in the rack. Rack cabinets that meet EIA-310 standards have an alternating pattern of three holes per rack unit with center-to-center hole spacing (beginning at the top hole of a 1-U space) of 15.9 mm, 15.9 mm, and 12.7 mm (0.625 inch, 0.625 inch, and 0.5 inch) for the front and back vertical rails (see Figure 1-3). Rack cabinets may have round or square holes.

NOTE: The vertical rails may be marked by horizontal lines and numbers in 1-U increments. If you wish, you can make a note of the number marking on the rack's vertical rail. It is not necessary to mark or place tape on the rack. If you choose this method, skip ahead to the procedure "Installing the RapidRails Slide Assemblies."

Figure 1-3. One Rack Unit



CAUTION: If you are installing more than one system, install the slide assemblies so that the first system is installed in the lowest available position in the rack.

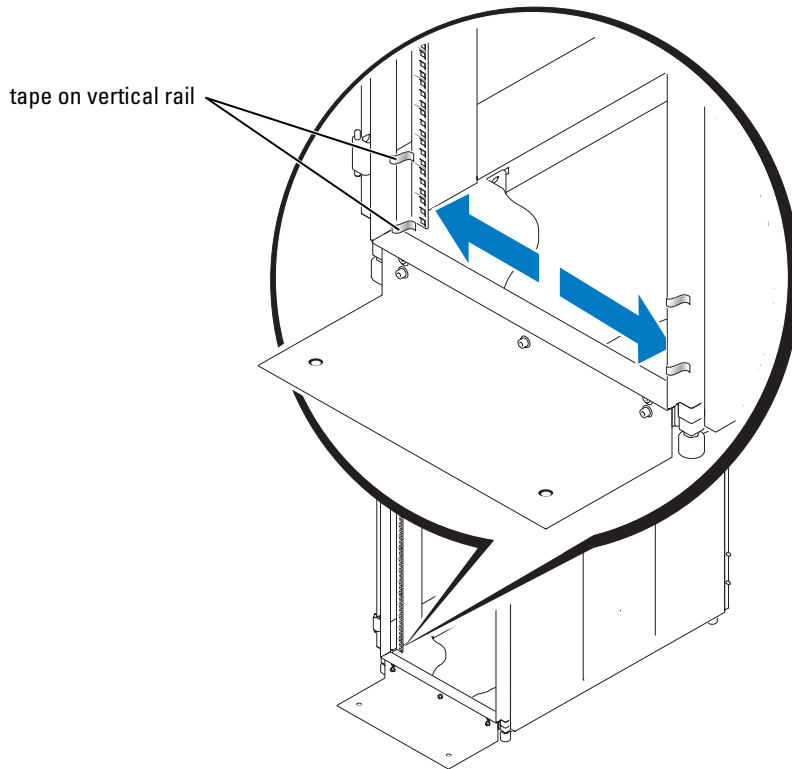
To mark the rack, perform the following steps:

- 1 Place a mark on the rack's front vertical rails where you want to locate the bottom of the system you are installing in the rack cabinet.

The bottom of each 1-U space is at the middle of the narrowest metal area between holes (marked with a horizontal line on some rack cabinets—see Figure 1-4).

- 2 Place a mark 88 mm (3.5 inches) above the original mark you made (or count up six holes in a rack that meets EIA-310 standards) and mark the rack's front vertical rails with a felt-tipped pen or masking tape (if you counted holes, place a mark just above the top hole). This mark or piece of tape indicates where the system's upper edge will be located on the vertical rails (see Figure 1-4).

Figure 1-4. Marking the Vertical Rails



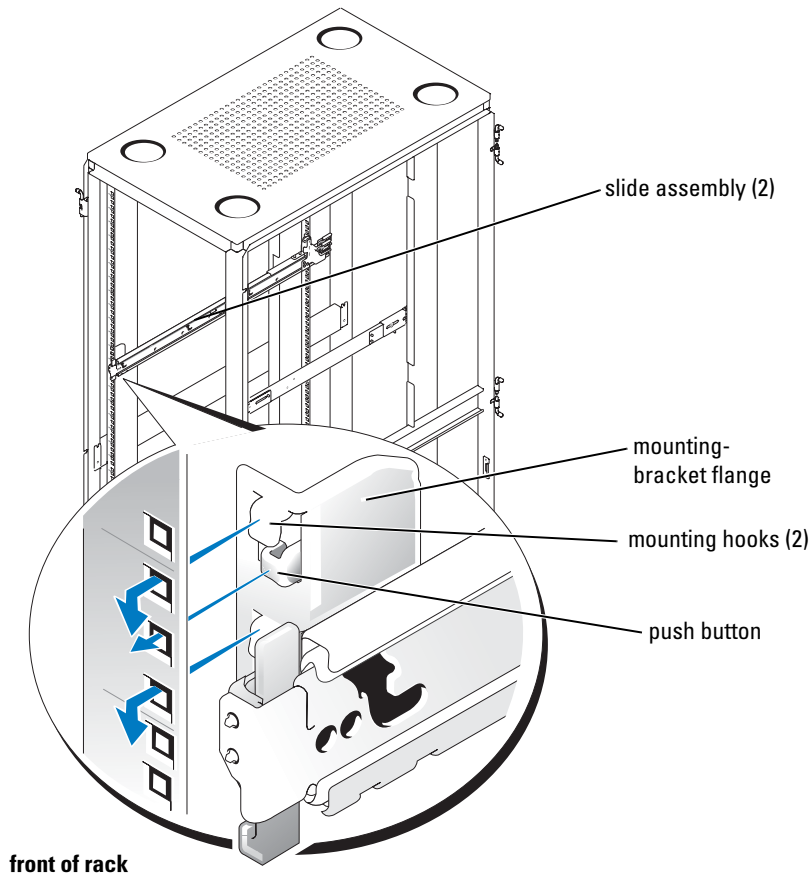
Installing the RapidRails Slide Assemblies

- 1 At the front of the rack cabinet, position one of the RapidRails slide assemblies so that its mounting-bracket flange fits between the marks or tape you placed on the rack (see Figure 1-5).

The top mounting hook on the slide assembly's front mounting bracket flange should enter the top hole between the marks on the vertical rails.

- 2 Push the slide assembly forward until the top mounting hook enters the top square hole that you placed a mark just above on the vertical rail, and then push down on the mounting-bracket flange until the mounting hooks seat in the square holes and the push button pops out and clicks (see Figure 1-5).

Figure 1-5. Installing the RapidRails Slide Assemblies



- 3 At the back of the cabinet, pull back on the mounting-bracket flange until the top mounting hook is in the top square hole, and then push down on the flange until the mounting hooks seat in the square holes and the push button pops out and clicks.
- 4 Repeat steps 1 through 3 for the slide assembly on the other side of the rack.



NOTE: Ensure that the slide assemblies are mounted at the same position on the vertical rails on each side of the rack.

Installing the VersaRails Slide Assemblies

- 1 At the front of the rack cabinet, position one of the VersaRails slide assemblies so that its mounting-bracket flange fits between the marks or tape (or numbered location) on the rack (see Figure 1-6).

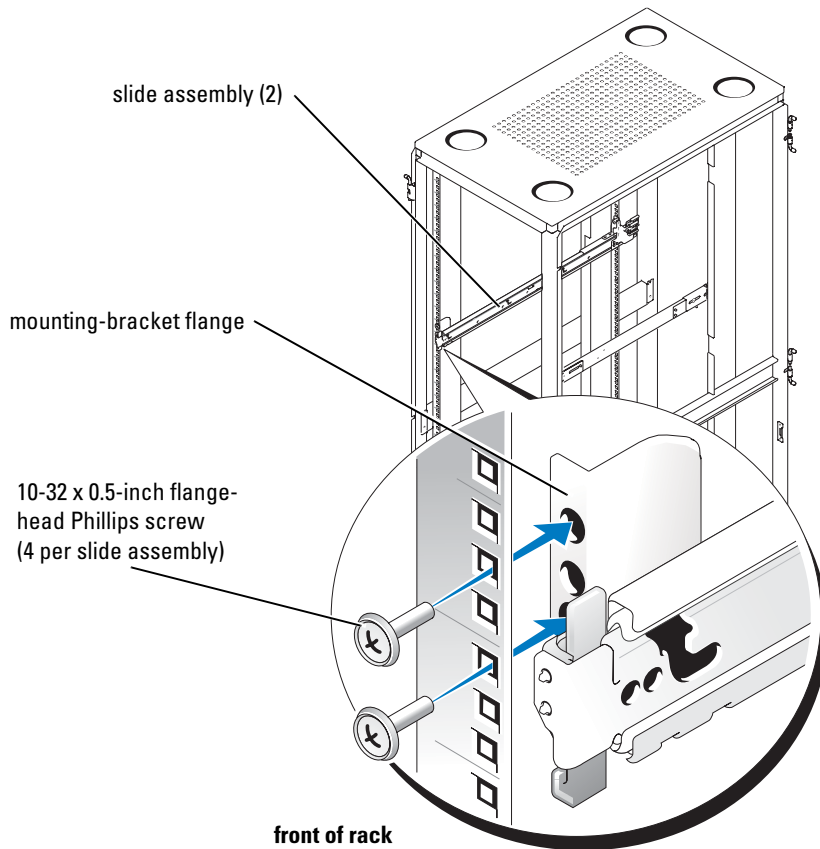
The four holes on the front of the mounting bracket should align with four of the holes between the marks you made on the front vertical rail.

- 2 Install two 10-32 x 0.5-inch flange-head Phillips screws in the mounting flange's top hole and the third-from-top hole to secure the slide assembly to the front vertical rail (see Figure 1-6).
- 3 At the back of the cabinet, pull back on the mounting-bracket flange until the mounting holes align with their respective holes on the back vertical rail.
- 4 Install two 10-32 x 0.5-inch flange-head Phillips screws in the back mounting flange's top and third-from-top holes to secure the slide assembly to the back vertical rail.
- 5 Repeat steps 1 through 4 for the slide assembly on the other side of the rack.



NOTE: Ensure that the slide assemblies are mounted at the same position on the vertical rails on each side of the rack.

Figure 1-6. Installing the VersaRails Slide Assemblies

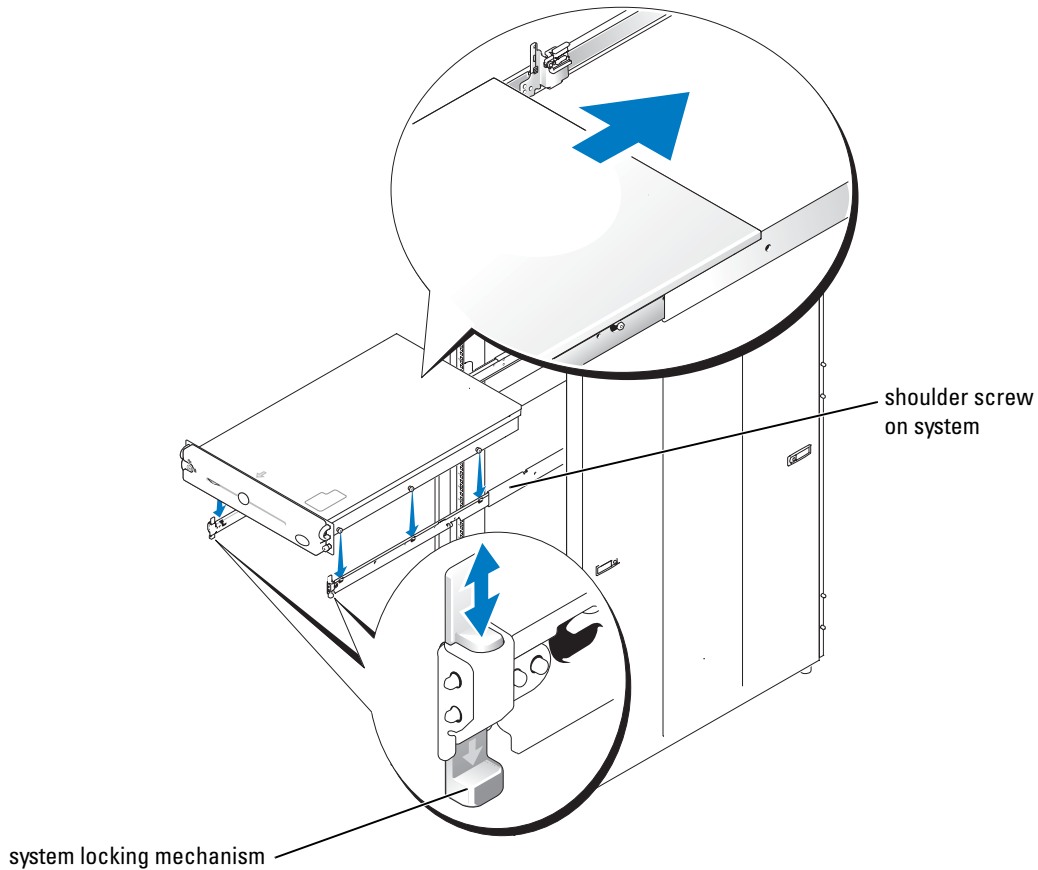


Installing the System in the Rack

- ⚠ CAUTION:** If you are installing more than one system, install the first system in the lowest available position in the rack.
- ⚠ CAUTION:** Never pull more than one component out of the rack at a time.
 - 1 Pull the two slide assemblies out of the rack until they lock in the fully extended position.
- ⚠ CAUTION:** Because of the size and weight of the system, never attempt to install the system in the slide assemblies by yourself.
 - 2 Lift the system into position in front of the extended slides (see Figure 1-7).
 - 3 Place one hand on the front-bottom of the system and the other hand on the back-bottom of the system.


- 4 Tilt the back of the system down while aligning the back shoulder screws on the sides of the system with the back slots on the slide assemblies.
- 5 Engage the back shoulder screws into their slots.

Figure 1-7. Installing the System in the Rack (RapidRails or VersaRails)




- 6 Lower the front of the system and engage the front and middle shoulder screws in their slots (the middle slot is just behind the yellow system release latch).
When all shoulder screws are properly seated, the system locking mechanism at the front of each slide assembly clicks and locks the system into the slide assembly.
- 7 Press up on the slide release latch at the side of each slide to slide the system completely into the rack.

- 8 Push in and turn the captive thumbscrews on each side of the front chassis panel to secure the system to the rack.

 **NOTE:** To remove the system from the slide assemblies, press down on the thumbpads of the system locking mechanism, and then pull the system forward.

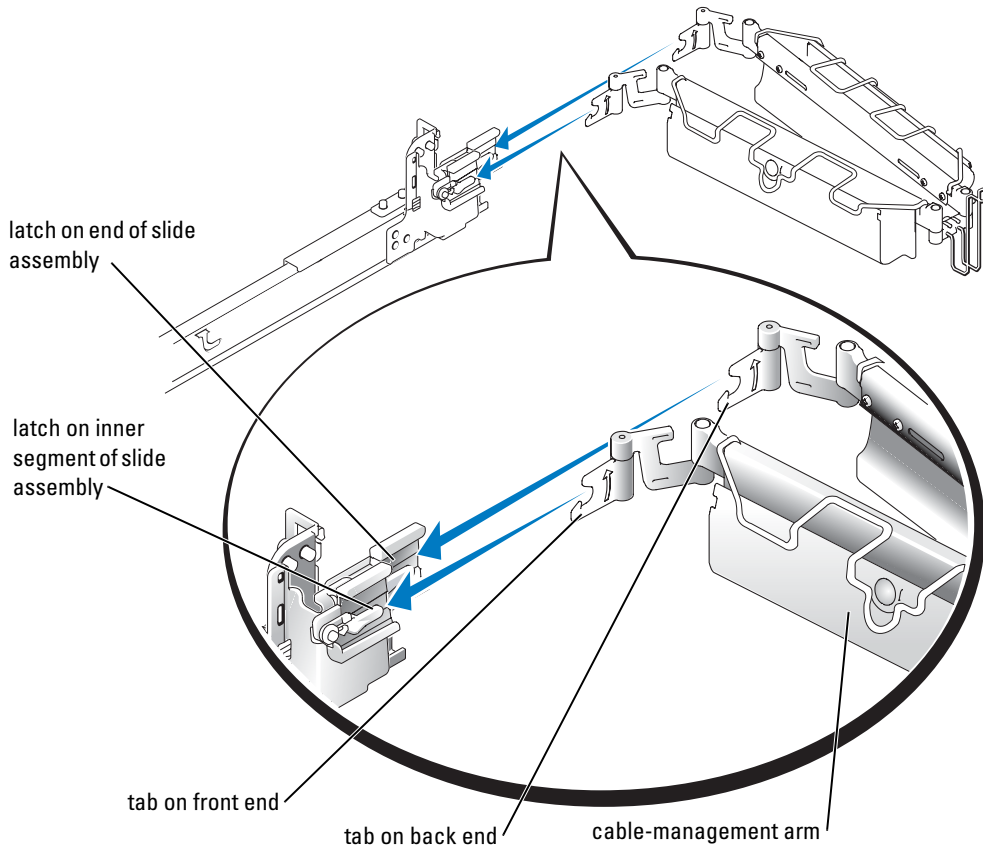
Installing the Cable-Management Arm

 **NOTICE:** The cable-management arm can only be installed on the right side of the rack cabinet (as viewed from the back).

To install the cable-management arm on the system, perform the following steps:

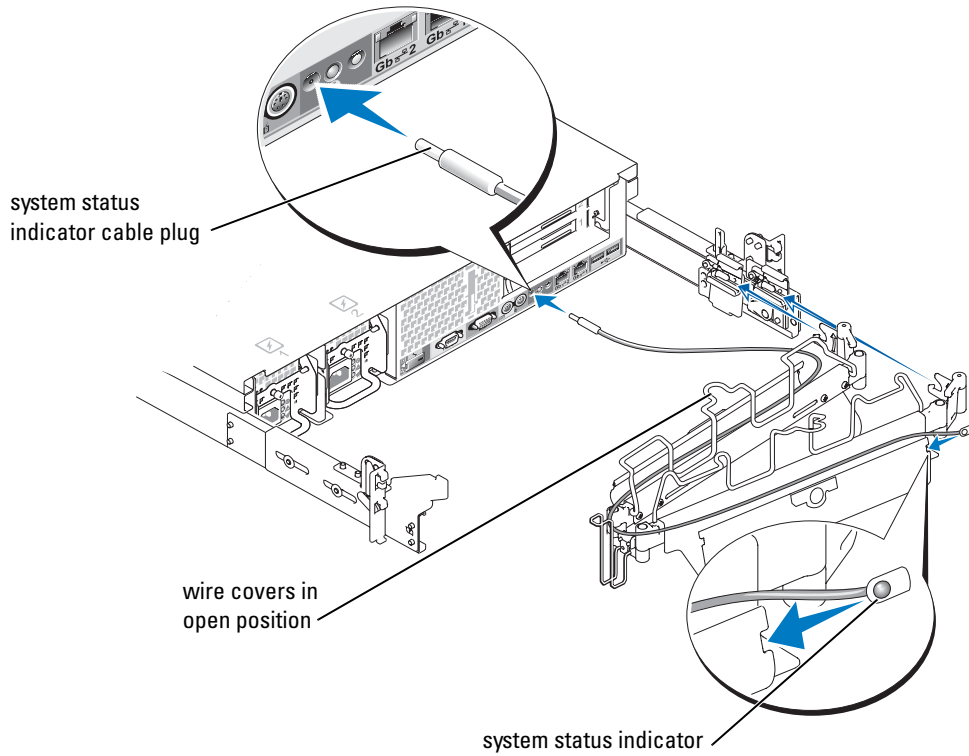
- 1 Facing the back of the rack cabinet, locate the latch on the end of the slide assembly.
- 2 Push the tab on the back end of the cable-management arm into the latch on the end of the slide assembly (see Figure 1-8).
The latch clicks when locked.
- 3 Push the tab on the front end of the cable-management arm into a mating latch on the inner segment of the slide assembly (see Figure 1-8).
The latch clicks when locked.

Figure 1-8. Installing the Cable-Management Arm



- 4 If applicable, install the system status indicator cable plug into its connector (see Figure 1-9).
- 5 Open the wire covers on the cable-management arm by lifting the center of the wire over the top of the embossed round button on the front of the forward part of the arm and lifting the wire over the top of a similar round button on the back part of the arm.
The wire cover swings open to enable cables to be routed within the arm.
- 6 Route the system status indicator end of the cable through the cable-management arm, and install the indicator in its slot at the back end of the cable-management arm (see Figure 1-9).

Figure 1-9. Installing the Cable-Management Arm



- 7 Connect the power cords to their receptacles on the back panel (see Figure 1-10).


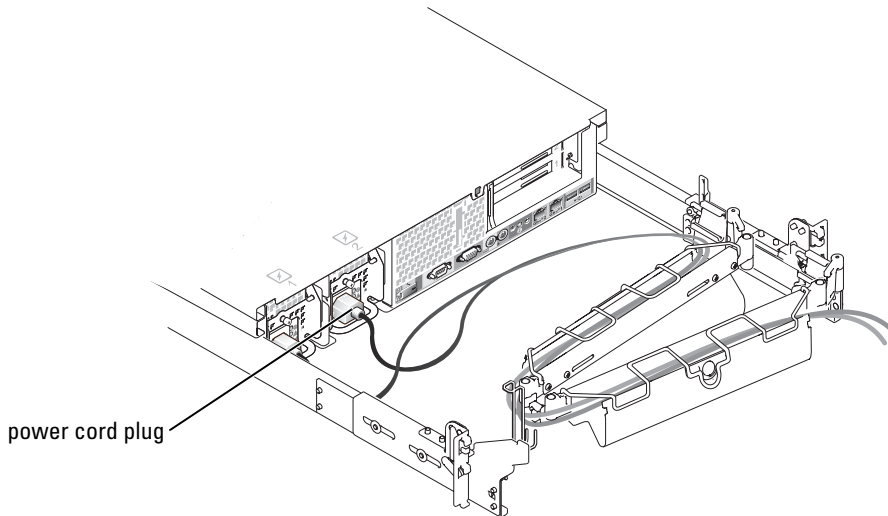
 **NOTE:** Use the strain-relief loops (if available) on the back of the power supplies to provide strain relief for the power cables.

Figure 1-10. Routing the Power Cords



⚠ CAUTION: Allow some slack in each cable as you route them around hinges in the cable-management arm.

- 8** Attach the I/O cable connectors to their respective connectors on the system back panel. For details on cable connections, see your system's *Installation and Troubleshooting Guide* and your *User's Guide*.
- 9** Route the power and I/O cables through the cable-management arm, using four loosely secured tie-wraps (two in the middle and one on each end of the cable-management arm). Do not fully tighten the tie-wraps at this time (see Figure 1-11). Allow some cable slack in the cable-management arm to prevent damage to the cables.

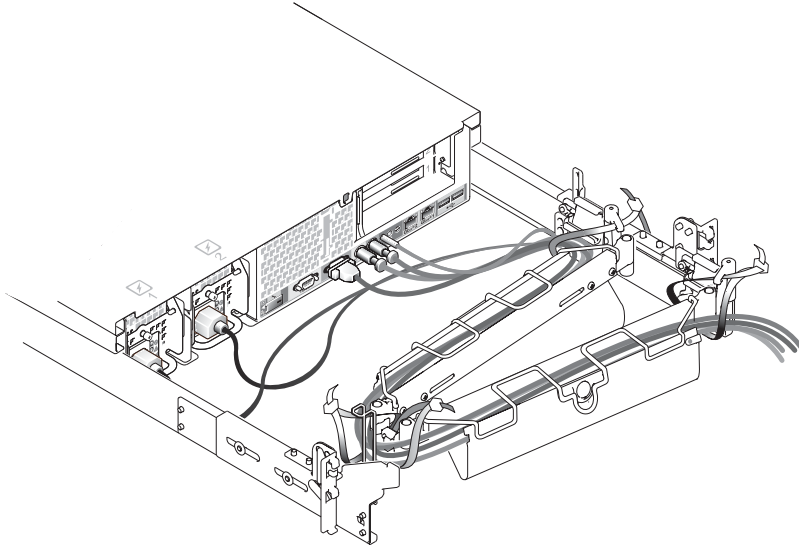
- 10** Secure the cables to the cable-management arm:
 - a** After connecting the cables to the system, unscrew the thumbscrews that secure the front of the system to the front vertical rail.
 - b** Slide the system forward to the fully extended position.
 - c** Route the cables along the cable-management arm, make any adjustments needed to the cable slack at the hinge positions, secure the cables to the cable-management arm with the tie-wraps, and close the wire covers over the cable-management arm.

✍ NOTE: As you pull the system out to its furthest extension, the slide assemblies will lock in the extended position. To push the system back into the rack, press the slide release latch on the side of the slide, and then slide the system completely into the rack.

- 11** Slide the system in and out of the rack to verify that the cables are routed correctly and do not bind, stretch, or pinch with the movement of the cable-management arm.

- 12 Tighten the tie-wraps just enough to ensure that the cable slack is neither too tight to cause excessive pinching nor too loose, yet keep the cables from slipping as the system is moved in and out of the rack.

Figure 1-11. Routing Cables



Replacing the Rack Doors

Refer to the procedures for replacing doors in the documentation provided with your rack.

⚠ CAUTION: Because of the size and weight of the rack cabinet doors, never attempt to remove or install them by yourself.

This completes the rack installation of your system in a four-post rack cabinet.

Two-Post Rack Installation

The two-post rack kit is used to install a system in a two-post, open-frame relay rack, such as those found in telecommunications equipment facilities. Both 3-inch and 6-inch wide two-post racks with universal-hole spacing or wide-hole spacing are accommodated. You can install this kit in a center-mount or a flush-mount configuration. The two-post kit incorporates slide assemblies that enable the system to be pulled out of the rack for servicing.

You must properly secure the two-post, open-frame relay rack to the floor, the ceiling or upper wall, and where applicable, to adjacent racks, using floor and wall fasteners and bracing specified or approved by the rack manufacturer or by industry standards. See the two-post, open-frame relay rack manufacturer's installation documentation for precautionary warnings before attempting this installation.



CAUTION: Do not attempt to install the system into a two-post, open-frame relay rack that has not been securely anchored in place. Damage to the system and personal injury to yourself and to others may result.

See the safety instructions at the beginning of this guide for additional safety information regarding rack installation.

Two-Post Rack Installation Tasks

Installing a two-post rack kit includes performing the following tasks in their numbered order:

- 1 Marking the rack (if necessary)
- 2 Installing the slide assemblies in the rack:
 - Center-mount installation
 - Flush-mount installation
- 3 Installing the system in the rack
- 4 Installing the cable-management arm
- 5 Routing cables

Recommended Tools and Supplies

You need the following tools and supplies to install the system in a two-post open-frame relay rack:

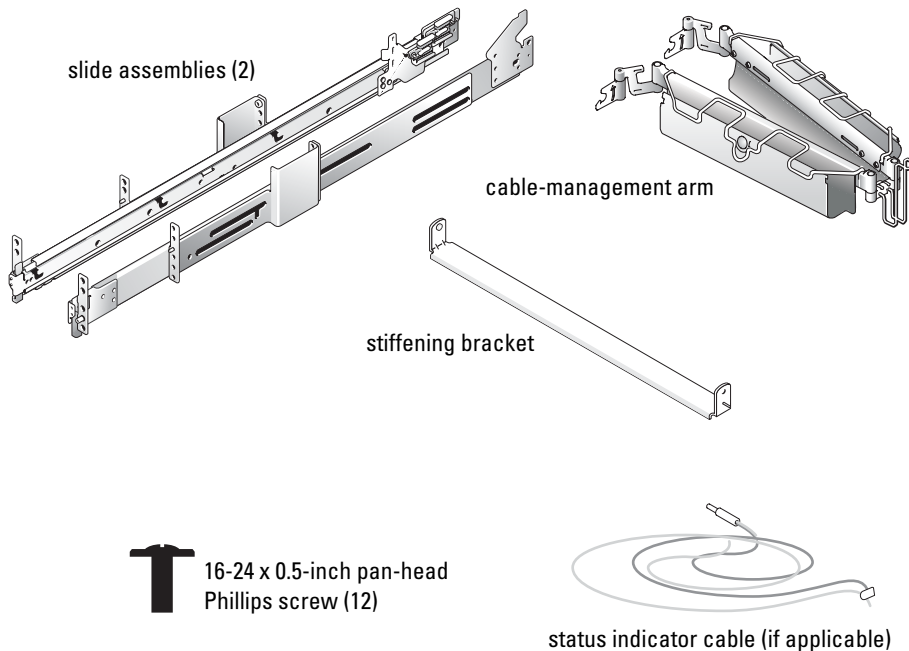
- #2 Phillips screwdriver
- 11/32-inch wrench or nut driver (if changing to a flush-mount configuration)
- Masking tape or felt-tip pen to mark the mounting holes

Rack Kit Contents

The two-post rack kit includes the following items (see Figure 1-12):

- One pair of slide assemblies (two-post)
- One stiffening bracket
- One cable-management arm
- One status indicator cable (if applicable)
- Sixteen 12-24 x 0.5-inch pan-head Phillips screws
- Tie-wraps (not shown in Figure 1-12)

Figure 1-12. Two-Post Rack Kit Components



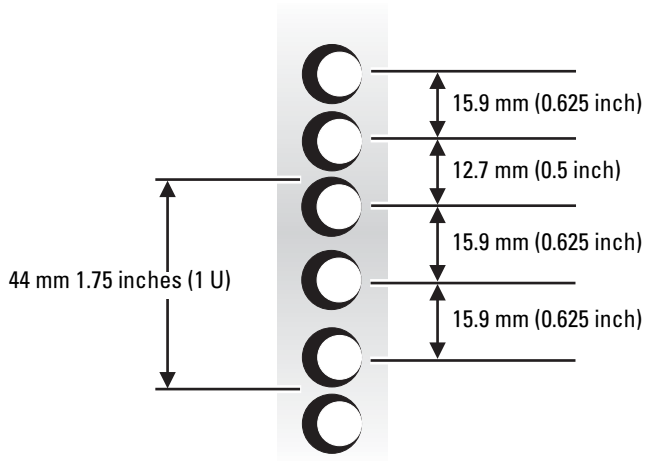
Marking the Rack

You must allow 2 U (88 mm or 3.5 inches) of vertical space for each system you install in the two-post rack.

Universal-Hole Spacing Racks

Industry-standard two-post racks with universal-hole spacing have an alternating pattern of three holes per U with center-to-center hole spacing (beginning at the top hole of a 1-U space) of 15.9 mm, 15.9 mm, and 12.7 mm (0.625 inch, 0.625 inch, and 0.5 inch) for the front and back vertical column of holes (see Figure 1-13).

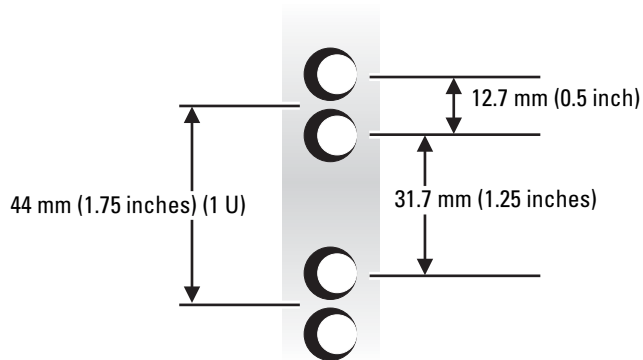
Figure 1-13. Two-Post, Open-Frame Relay Rack Universal-Hole Spacing



Wide-Hole Spacing Racks

Some two-post racks with wide-hole spacing have an alternating pattern of two holes per U with center-to-center hole spacing (beginning at the top hole of a 1-U space) of 31.7 mm and 12.7 mm (1.25 inches and 0.5 inch) for the front and back vertical column of holes (see Figure 1-14).


Figure 1-14. Two-Post, Open-Frame Relay Rack Wide-Hole Spacing



To mark the rack, perform the following steps:


- 1 Place a mark on the rack's front vertical rails where you want to locate the bottom of the system you are installing in the two-post rack.

The bottom of each 1-U space is at the middle of the narrowest metal area between holes.

 **NOTE:** If your rack has wide-hole spacing, go to step 3.

- 2 Place a mark 88 mm (3.5 inches) above the original mark you made (or count up six holes in a rack with universal-hole spacing (see Figure 1-13).

Each 1-U (44 mm, or 1.75 inches) of vertical space on a rack with universal-hole spacing has three holes with center-to-center spacing between holes (beginning at the top of a 1-U space) of 0.625, 0.625, and 0.5 inches (see Figure 1-13).

 **NOTE:** If your rack has universal-hole spacing, you have completed the procedure for marking the rack.

- 3 Place a mark 88 mm (3.5 inches) above the original mark you made (or count up to the fourth hole in the rack with wide-hole spacing (see Figure 1-14).

Each 1-U (44 mm, or 1.75 inches) of vertical space on a rack with wide-hole spacing has two holes with center-to-center spacing between holes (beginning at the top of a 1-U space) of 31.7 mm (1.25 inches) (see Figure 1-14).

Installing the Slide Assemblies in the Rack

You can install the slide assemblies in a two-post open-frame rack having either universal-hole spacing (see Figure 1-13) or wide-hole spacing (see Figure 1-14). You can install the 2-U slide assemblies in either a flush-mount or center-mount configuration.



CAUTION: Do not attempt to install another system using this rack kit. Use only the rack kit intended for your system. Using the rack kit for another system may result in damage to the system and personal injury to yourself and to others.

Center-Mount Installation

The two-post rack kit is shipped with the brackets configured for center-mount installation. To complete the installation, perform the following steps:

- 1 Locate the right slide assembly and push the back bracket toward the back of the slide assembly (see Figure 1-16).
- 2 Position the right slide assembly in the two-post rack at the location you marked, push the back bracket forward against the vertical two-post rack, secure the front center mounting bracket with two 12-24 x 0.5-inch pan-head Phillips screws, and secure the back center-mounting bracket to the rack with three 12-24 x 0.5-inch pan-head Phillips screws (see Figure 1-16).
- 3 Repeat steps 1 and 2 to install the left slide assembly in the rack.

- 4 Install the stiffening bracket between the back ends of the slide assemblies and secure the bracket with a 12-24 0.5-inch pan-head Phillips screw on each slide assembly (see Figure 1-16).

Figure 1-15. Brackets Prepared for Center-Mount Installation

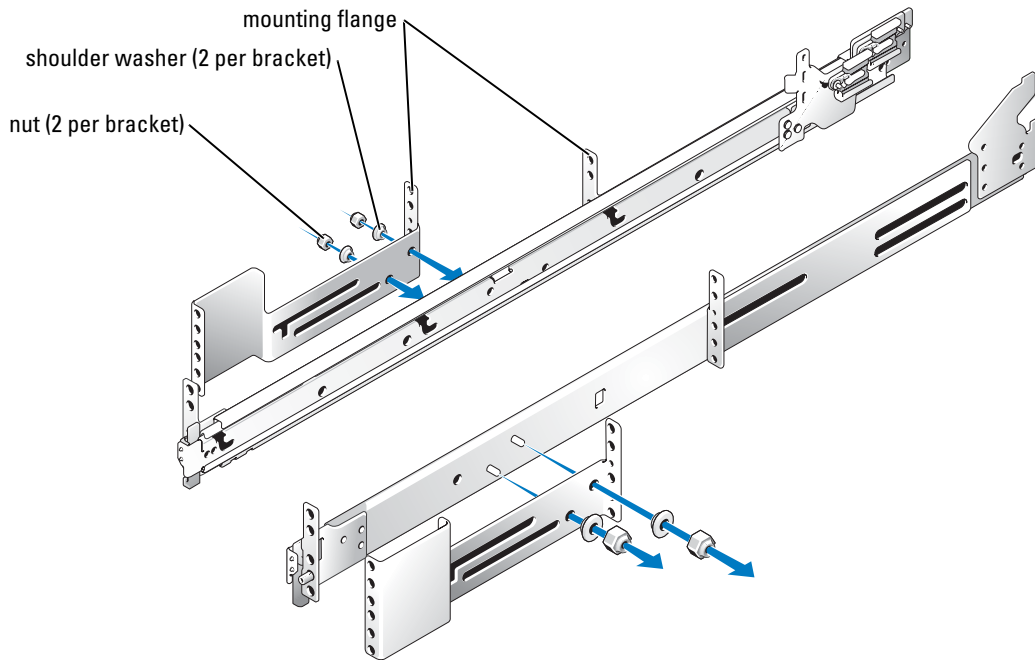
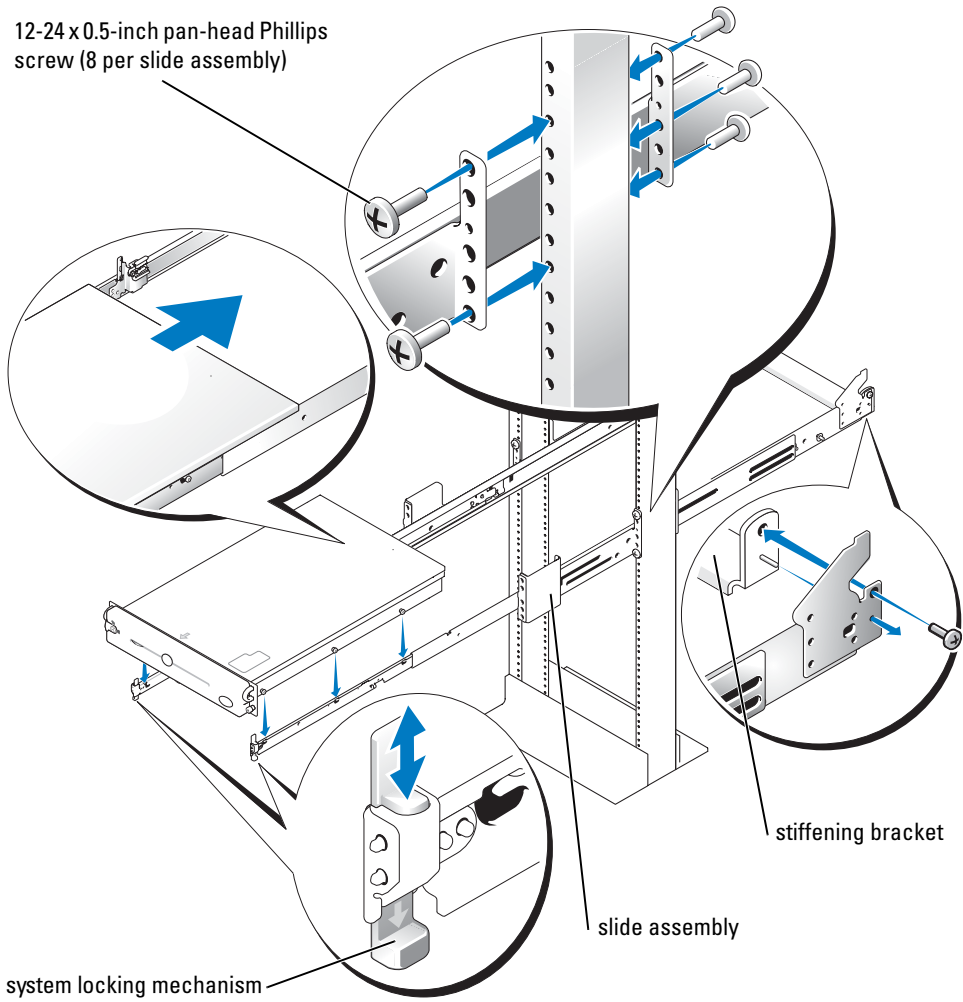



Figure 1-16. Installing the Slide Assemblies for Center-Mount Configuration



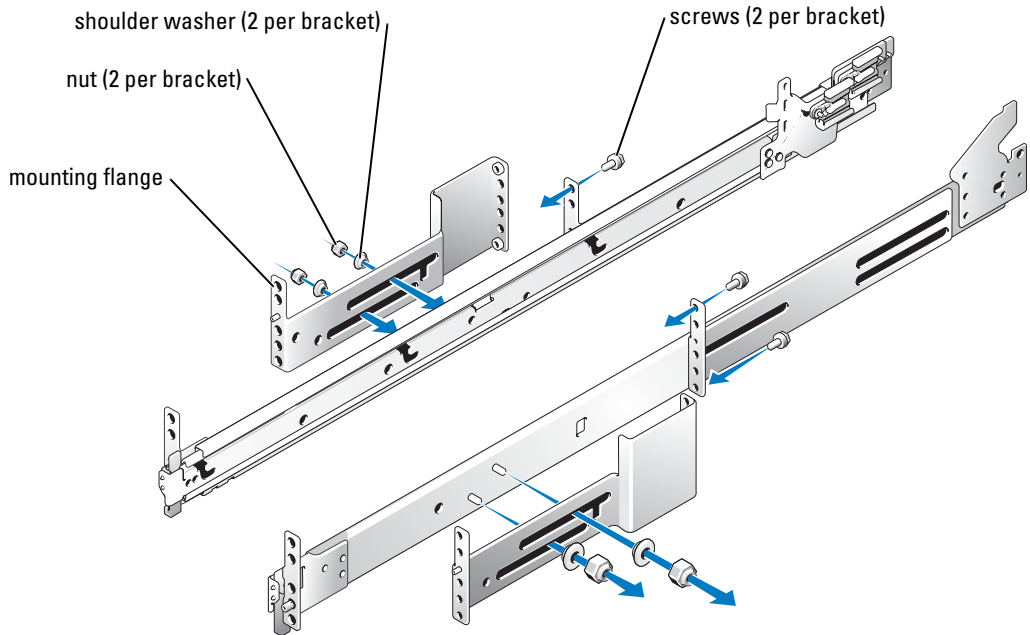
Flush-Mount Installation

The two-post rack kit is shipped with the brackets configured for center-mount installation. To prepare the slide assemblies for flush-mount installation in the two-post rack, perform the following steps:

- 1 Locate the two slide assemblies and place them, side by side, on a smooth work surface, with the front ends of the slide assemblies toward you. Position both slide assemblies so that the center brackets are facing upward (see Figure 1-17).
 **NOTE:** To prepare the slides for flush-mount installation, remove the front mounting bracket, rotate it 180 degrees, and reinstall it on the opposite slide assembly.
- 2 Using a #2 Phillips screwdriver and an 11/32-inch wrench or nut driver, remove two 12-24 x 0.5-inch pan-head Phillips screws, two nuts, and two shoulder washers from each front center bracket (see Figure 1-17).
- 3 Remove the front bracket from both slide assemblies.
- 4 Place the bracket from one slide assembly onto the threaded studs on the opposite slide assembly, with the bracket turned 180 degrees so that the mounting flange faces forward (see Figure 1-17).
- 5 Secure each front center-mount bracket (by its nuts and shoulder washers) by finger-tightening them on their opposite slide assemblies using the two shoulder washers and two nuts you removed in step 2 (see Figure 1-17).

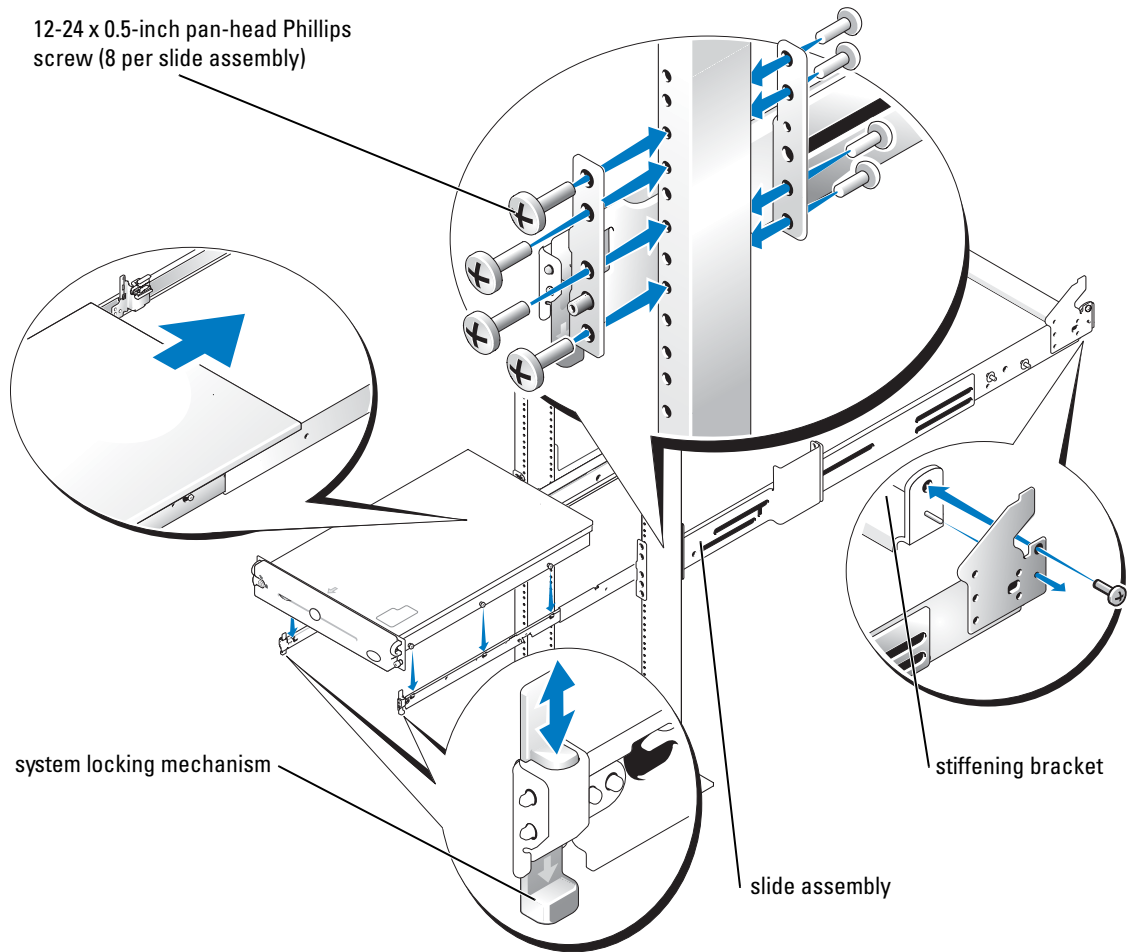
The joined bracket becomes the new extended back bracket.

Figure 1-17. Rotating the Front Mounting Bracket for Flush-Mount Installation



- 6 Repeat steps 4 and 5 to configure the other slide assembly.
- 7 Holding the left slide assembly into position in the two-post rack at the location you marked, adjust the extended back bracket tightly against the vertical two-post rack and secure it with four 12-24 x 0.5-inch pan-head Phillips screws (see Figure 1-18).
- 8 Secure the front bracket on the slide assembly to the two-post rail with four 12-24 x 0.5-inch pan-head Phillips screws (see Figure 1-18).
NOTE: Use all four screws to ensure that the bracket is securely attached to the rail.
- 9 Perform steps 7 and 8 to install the right slide assembly in the rack.

Figure 1-18. Installing the Slide Assemblies for Flush-Mount Configuration



- 10** Use an 11/32-inch wrench or nut driver to fully tighten the nuts on the mounting brackets on both slide assemblies that you tightened with your fingers.
- 11** Install the stiffening bracket between the back ends of the slide assemblies and secure the bracket with a 12-24 0.5-inch pan-head Phillips screw on each slide assembly (see Figure 1-18).

Installing the System in the Rack



CAUTION: Due to the size and weight of the system, never attempt to install the system by yourself.



NOTE: The procedure for installing a system into a rack is identical for flush-mount and center-mount slide assemblies.

- 1 Pull the slides out to their fully extended position.



CAUTION: Because of the size and weight of the system, never attempt to install the system in the slide assemblies by yourself.

- 2 Lift the system into position (see Figure 1-18).
- 3 Place one hand on the front-bottom of the system and the other hand on the back-bottom of the system.
- 4 Tilt the back of the system down while aligning the back shoulder screws on the sides of the system with the back slots on the slide assemblies.
- 5 Engage the back shoulder screws into their slots.
- 6 Lower the front of the system, and engage the front and middle shoulder screws in their slots. The middle slot is just behind the system release latch (see Figure 1-18).

When all shoulder screws are properly seated, the system locking mechanism at the front of each slide assembly clicks and locks the system into the slide assembly.

- 7 Press up on the slide release latch at the side of each slide to slide the system completely into the rack (see Figure 1-18).
- 8 Push in and turn the captive thumbscrews on each side of the front chassis panel to secure the system to the rack.



NOTE: To remove the system from the slide assemblies, press down on the thumbpads of the system locking mechanism, and then pull the system forward.

Installing the Cable-Management Arm

See "Installing the Cable-Management Arm" in "Four-Post Rack Installation" found earlier in this document.

Routing Cables

See "Routing Cables" in "Four-Post Rack Installation" found earlier in this document.

You have completed the installation of the rack kit in a two-post rack.

Index

C

- cable-management arm
 - installing, 1-16, 1-30
 - routing cables, 1-19, 1-30
- cables, 1-19
- contents listed
 - RapidRails kit, 1-8
 - two-post kit, 1-22
 - VersaRails kit, 1-8

D

- doors
 - removing, 1-9
 - replacing, 1-20

F

- four-post kit
 - installing cable-management arm, 1-16
 - installing system, 1-14
 - marking rack, 1-10
 - RapidRails kit contents, 1-8
 - RapidRails slide assemblies, 1-12
 - tasks, 1-9
 - tools, 1-7
 - VersaRails kit contents, 1-8
 - VersaRails slide assemblies, 1-13

I

- installing
 - cable-management arm, 1-30
 - RapidRails slide assemblies, 1-12
 - two-post slide assemblies, 1-24
 - VersaRails slide assemblies, 1-13
- installing in rack system, 1-14-1-15
- installing system
 - four-post rack, 1-14
 - two-post rack, 1-30

K

- kit contents
 - RapidRails, 1-8
 - VersaRails, 1-9

M

- marking rack
 - four-post kits, 1-10
 - two-post kit, 1-22

R

- rack mount precautions, 1-7
- rack requirements for VersaRails, 1-6
- rack stabilizer feet, 1-7
- rack unit, 1-10
- RapidRails kit contents, 1-8
- routing cables, 1-30

S

- safety instructions, 1-5
- stiffening bracket, 1-22
 - installing, 1-25, 1-29

T

- tasks
 - four-post kit, 1-9
 - two-post kit, 1-21
- tools
 - four-post kits, 1-7
 - two-post kits, 1-21

- two-post kit
 - center-mount
 - installation, 1-24
 - contents, 1-22
 - flush-mount installation, 1-27
 - installing cable-management arm, 1-30
 - installing slide assemblies, 1-24
 - installing system, 1-30
 - marking rack, 1-22
 - routing cables, 1-30
 - stiffening bracket, 1-22
 - tasks, 1-21
 - tools, 1-21

V

- VersaRails kit contents, 1-8
- vertical rails
 - marking, 1-10
 - one rack unit, 1-10

Guide d'installation en rack

Remarques, avis et avertissements



REMARQUE : une REMARQUE indique des informations importantes qui vous permettent de mieux utiliser votre ordinateur.



AVIS : un AVIS vous avertit d'un risque de dommage matériel ou de perte de données et vous indique comment éviter le problème.



ATTENTION : le message **ATTENTION** indique une situation potentiellement dangereuse qui, si elle n'est pas évitée, peut provoquer une détérioration du matériel et des blessures pouvant entraîner la mort.

Les informations contenues dans ce document peuvent être modifiées sans préavis.

© 2004 Dell Inc. Tous droits réservés.

La reproduction de ce document de quelque manière que ce soit sans l'autorisation écrite de Dell Inc. est strictement interdite.

Les marques utilisées dans ce document : *RapidRails* et *VersaRails*, sont des marques de Dell Inc.

Tous les autres noms de marques et marques commerciales utilisés dans ce document se rapportent aux sociétés propriétaires des marques et des noms de ces produits. Dell Inc. décline tout intérêt dans l'utilisation des marques déposées et des noms de marques ne lui appartenant pas.

Sommaire

ATTENTION : Consignes de sécurité	2-5
SÉCURITÉ : Montage en rack des systèmes.	2-5
Instructions d'installation	2-6
Installation dans un rack à quatre montants.	2-7
Avant de commencer	2-7
Outils et fournitures recommandés.	2-7
Contenu du kit du rack RapidRails	2-8
Contenu du kit du rack VersaRails	2-8
Tâches d'installation	2-9
Retrait des portes du rack	2-9
Marquage du rack	2-10
Installation des rails coulissants RapidRails	2-12
Installation des rails coulissants VersaRails	2-13
Installation du système dans le rack	2-14
Installation du bras de maintien des câbles.	2-16
Remise en place des portes du rack	2-20
Installation dans un rack à deux montants	2-21
Tâches d'installation du rack à deux montants	2-21
Outils et fournitures recommandés.	2-21
Contenu du kit de rack.	2-22
Marquage du rack	2-22
Installation des rails coulissants dans le rack.	2-24
Installation du système dans le rack	2-30
Installation du bras de maintien des câbles.	2-30
Routage des câbles	2-30
Index	2-31

Figures

Figure 2-1.	Contenu du kit du rack RapidRails	2-8
Figure 2-2.	Contenu du kit du rack VersaRails	2-9
Figure 2-3.	Unité de rack	2-10
Figure 2-4.	Marquage des rails verticaux	2-11
Figure 2-5.	Installation des rails coulissants RapidRails	2-12
Figure 2-6.	Installation des rails coulissants VersaRails	2-14
Figure 2-7.	Installation du système dans le rack (RapidRails ou VersaRails)	2-15
Figure 2-8.	Installation du bras de maintien des câbles	2-17
Figure 2-9.	Installation du bras de maintien des câbles	2-18
Figure 2-10.	Routage des cordons d'alimentation	2-19
Figure 2-11.	Routage des câbles	2-20
Figure 2-12.	Composants du kit de rack à deux montants	2-22
Figure 2-13.	Espacement des trous sur un rack universel à deux montants et châssis ouvert	2-23
Figure 2-14.	Espacement large des trous sur un rack à deux montants avec châssis ouvert	2-23
Figure 2-15.	Supports préparés pour une installation centrale	2-25
Figure 2-16.	Installation des rails coulissants pour une configuration en montage central	2-26
Figure 2-17.	Rotation du support de montage avant pour une installation en encastrement	2-28
Figure 2-18.	Installation des rails coulissants pour une configuration en encastrement	2-29


ATTENTION : Consignes de sécurité

Respectez les consignes de sécurité de ce guide pour assurer votre sécurité personnelle et pour contribuer à protéger votre système et votre environnement de travail de dommages potentiels. Pour obtenir des informations complètes sur la sécurité, reportez-vous au *Guide d'informations sur le produit*.


SÉCURITÉ : Montage en rack des systèmes

Pour la stabilité du rack et pour votre sécurité, respectez les précautions suivantes.

Les systèmes montés dans un rack sont également appelés des composants. Le terme “composant” fait donc référence à un système mais aussi aux différents périphériques ou matériels associés.

 **ATTENTION : l'installation de systèmes dans un rack non équipé de stabilisateurs avant et latéraux peut provoquer son basculement, et entraîner des blessures. C'est pourquoi il faut toujours installer les stabilisateurs avant d'installer les composants du rack.**

Après avoir installé un système ou des composants dans un rack, ne faites jamais coulisser hors du rack plus d'un composant à la fois. Le poids de plusieurs composants sortis du rack risquerait de le faire basculer et de blesser quelqu'un gravement.

 **REMARQUE :** votre système est certifié sur le plan de la sécurité en tant qu'unité autonome et en tant que composant destiné à être utilisé dans une armoire rack, à l'aide du kit de rack client. L'installation de votre système et du kit de rack dans une autre armoire n'a été approuvée par aucun organisme de sécurité. Il vous incombe de veiller à ce que la combinaison finale système et rack soit conforme à toutes les normes de sécurité en vigueur ainsi qu'aux normes électriques locales. Le fabricant dénie toute responsabilité et garantie concernant les combinaisons de ce genre.

- Les kits de rack sont destinés à être installés par des techniciens de maintenance qualifiés. Avant d'installer ce kit dans un autre type de rack, assurez-vous qu'il réponde à toutes les spécifications requises.

 **ATTENTION : ne déplacez pas de rack sans aide. En raison de la hauteur et du poids du rack, cette tâche doit être réalisée par deux personnes au minimum.**

- Avant de travailler sur le rack, vérifiez que les pieds stabilisateurs sont fixés au rack, qu'ils touchent le sol et que tout le poids du rack repose sur le sol. Avant d'intervenir sur un rack isolé, installez d'abord les pieds stabilisateurs avant et latéraux. Pour plusieurs racks associés, installez les pieds stabilisateurs avant.
- Remplissez toujours le rack en partant du bas, avec les éléments les plus lourds en premier.
- Assurez-vous que le rack est d'aplomb et stable avant de tirer un composant hors de son compartiment.

ATTENTION : Consignes de sécurité (suite)

- Faites attention lorsque vous appuyez sur les loquets de déverrouillage des rails et que vous faites glisser un composant dans ou hors d'un rack, car vous risquez de vous pincer les doigts dans les glissières.
- Une fois le composant inséré, étendez avec précaution le rail en position de verrouillage, puis faites glisser le composant dans le rack.
- Ne surchargez pas le circuit d'alimentation secteur du rack. La consommation totale du rack ne doit pas dépasser 80 % de la capacité du circuit.
- Assurez-vous que les composants du rack sont correctement ventilés.
- Ne montez pas sur un composant lorsque vous intervenez sur d'autres composants du rack.

Instructions d'installation

Ce guide d'installation contient des instructions s'adressant à des techniciens de maintenance qualifiés. Il explique comment installer un ou plusieurs systèmes dans un rack à châssis ouvert ou une armoire rack. Les rails RapidRails™ peuvent être installés sans outils dans toutes les armoires rack du fabricant qui disposent de trous carrés ; les rails VersaRails™ peuvent être installés dans la plupart des armoires rack conformes aux standards, avec des trous carrés ou ronds. Les procédures d'installation des kits de rack RapidRails et VersaRails sont similaires. Un kit de rack est nécessaire pour chaque système installé dans le rack.

Ce guide comprend les procédures relatives aux kits de rack suivants :


- Kit RapidRails dans une armoire rack à quatre montants
- Kit VersaRails dans une armoire rack à quatre montants
- Kit pour armoire à deux montants (installé dans une configuration en montage central ou en encastrement, pour les racks de 3 ou 6 pouces de largeur)

Pour faciliter le dépannage et connaître l'état général du système, certains kits de rack sont livrés avec un câble de voyant d'état. Il répercute à l'arrière du bras de maintien des câbles les informations des voyants d'état à deux couleurs qui sont en face avant et arrière. Pour plus d'informations sur ces voyants, reportez-vous au *Guide de l'utilisateur* de votre système.

Avant de commencer l'installation, lisez soigneusement ce document en entier.

 **ATTENTION : n'installez pas de composants de kit de rack prévus pour un autre système. Utilisez uniquement le kit de rack de votre système. Si vous employez le kit d'un autre système, vous risquez d'endommager le système et d'exposer autrui et vous-même à des risques de blessures.**

Spécifications de rack requises pour les rails VersaRails

 **AVIS :** le kit de rack VersaRails est prévu pour être installé par des techniciens de maintenance qualifiés dans un rack conforme aux standards suivants : ANSI/EIA-310-D-92 (American National Standards Institute/Electronic Industries Association), IEC 297 (International Electrotechnical Commission) et DIN 41494 (Deutsche Industrie Norm). Un kit de rack est nécessaire pour chaque système installé dans le rack.


Installation dans un rack à quatre montants

Avant de commencer l'installation, lisez soigneusement cette procédure en entier.

Avant de commencer


Avant de commencer à installer le rack, lisez attentivement les informations importantes sur la sécurité figurant au début de ce guide, ainsi que les consignes de sécurité du *Guide d'informations sur le produit*.

 **ATTENTION** : lorsque vous installez plusieurs systèmes dans un rack, effectuez toutes les procédures s'appliquant au système en cours avant d'essayer d'installer le système suivant.


 **ATTENTION** : les racks peuvent être extrêmement lourds, mais se déplacent assez facilement sur leurs roulettes. Cependant, ils ne possèdent pas de système de freinage. Procédez par conséquent avec la plus grande prudence pour déplacer un rack. Rentrez ses pieds de mise à niveau lorsque vous le changez d'emplacement. Évitez de le déplacer le long de rampes ou de plans inclinés trop longs ou trop abrupts, sur lesquels il pourrait vous échapper. Ressortez les pieds de mise à niveau lorsqu'il est nécessaire de soutenir l'armoire ou pour lui éviter de glisser sur ses roulettes.


Informations importantes sur la sécurité

Respectez les précautions décrites dans les sous-sections suivantes lors de l'installation de votre système dans le rack.

 **ATTENTION** : vous devez respecter à la lettre les procédures de ce document afin de garantir votre propre protection ainsi que celle d'autrui. Votre système peut être très lourd et volumineux. Une préparation et une planification adéquates sont donc importantes afin d'éviter tout risque de blessure pour vous-même ou autrui. Ces précautions prennent d'autant plus d'importance au fur et à mesure que le rack est rempli, de bas en haut.

Pieds stabilisateurs du rack

 **ATTENTION** : l'installation de systèmes dans un rack en l'absence de pieds stabilisateurs avant et latéraux peut provoquer le basculement du rack, et comporte dans certaines situations un risque de blessures. C'est pourquoi il faut toujours installer les pieds stabilisateurs avant d'installer les composants du rack.

 **ATTENTION** : après avoir installé des systèmes dans un rack, ne faites jamais coulisser hors du rack plus d'un système à la fois. Le poids de plusieurs systèmes sortis du rack risquerait de le faire basculer et de blesser quelqu'un gravement.

Les stabilisateurs évitent au rack de basculer lorsqu'un système ou composant est totalement sorti du rack sur ses glissières. Consultez la documentation fournie avec l'armoire rack pour savoir comment installer et fixer les pieds stabilisateurs.

Outils et fournitures recommandés

Les outils et fournitures suivants peuvent être nécessaires pour installer le système dans un rack à quatre montants :

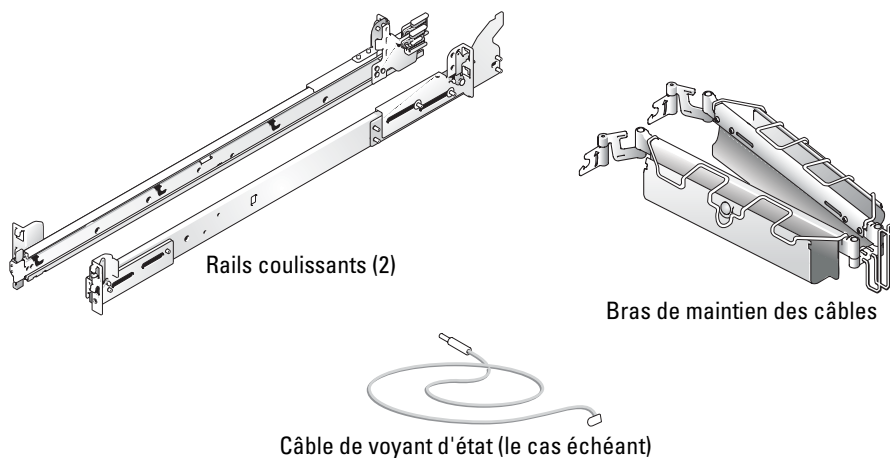
- Un tournevis Phillips n°2 (pour installer un kit de rails coulissants VersaRails)
- De la bande protectrice adhésive ou un stylo feutre pour marquer les trous de montage à utiliser

Contenu du kit du rack RapidRails

Le kit de rack RapidRails comprend les éléments suivants (voir la figure 2-1) :

- Une paire de rails coulissants RapidRails
- Un bras de maintien des câbles
- Un câble de voyant d'état (le cas échéant)
- Des attache-câbles (non représentés sur la figure 2-1)

Figure 2-1. Contenu du kit du rack RapidRails



Contenu du kit du rack VersaRails

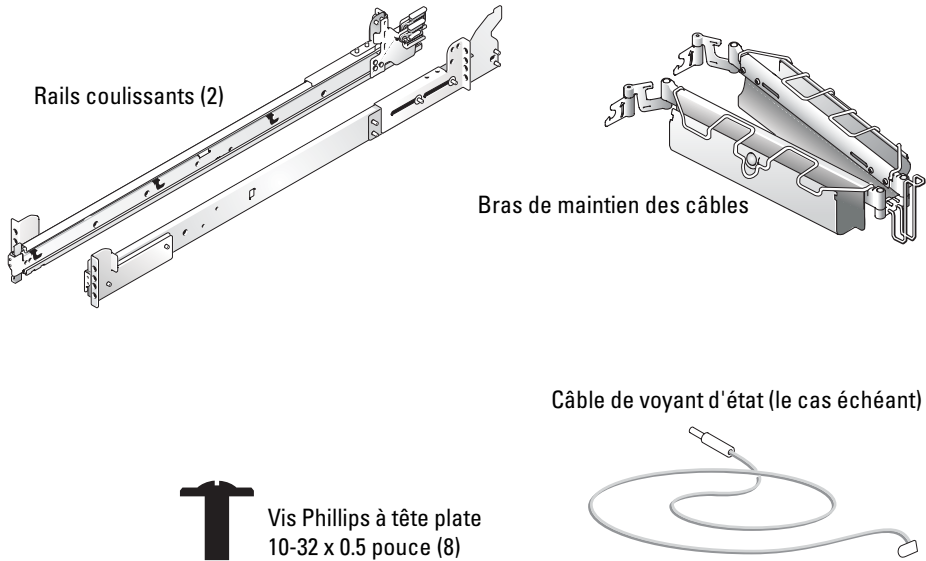
Le kit du rack VersaRails comprend les éléments suivants (voir la figure 2-2) :

- Une paire de rails coulissants VersaRails
- Un bras de maintien des câbles
- Un câble de voyant d'état (le cas échéant)
- Huit vis à tête Phillips 10-32 x 0,5 pouce
- Des attache-câbles (non représentés sur la figure 2-2)



REMARQUE : les vis au pas non métrique décrites dans les illustrations et dans les procédures sont identifiées par la taille et le nombre de filets par pouce. Par exemple, une vis à tête Phillips n°10 avec 32 filets par pouce est désignée par l'appellation vis 10-32.

Figure 2-2. Contenu du kit du rack VersaRails



Tâches d'installation

Pour installer un kit de rack, vous devez effectuer les tâches suivantes dans l'ordre indiqué :

- 1 Retrait des portes du rack
- 2 Marquage du rack (si nécessaire)
- 3 Installation des rails coulissants dans le rack :
 - Installation du kit RapidRails
 - Installation du kit VersaRails
- 4 Installation du système dans le rack
- 5 Installation du bras de maintien des câbles
- 6 Routage des câbles
- 7 Remise en place des portes du rack

Retrait des portes du rack

Reportez-vous aux procédures de retrait des portes dans la documentation fournie avec votre armoire rack.



ATTENTION : compte tenu de leur poids et taille, ne retirez ou n'installez jamais les portes tout seul.



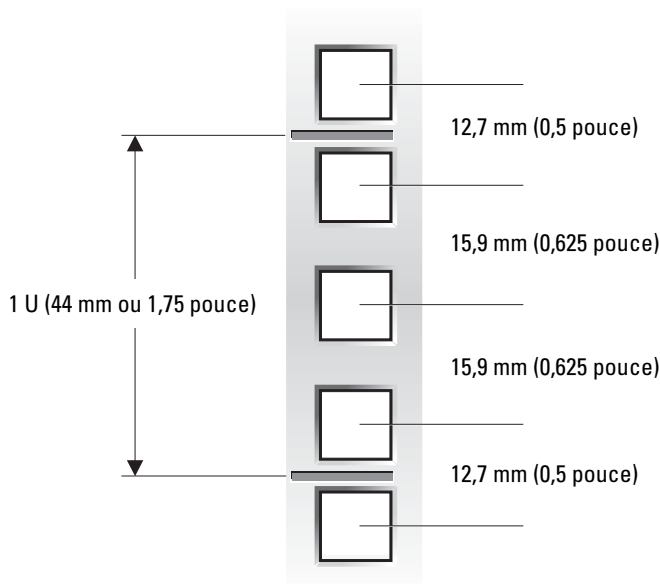
ATTENTION : placez les deux portes dans un endroit sûr où elles ne risquent pas de tomber accidentellement et de blesser quelqu'un.

Marquage du rack

Vous devez laisser un espace vertical de 2 U (88 mm ou 3,5 pouces) pour chaque système installé dans le rack. Les rack conformes aux normes EIA-310 alternent un groupe de trois trous par U (unité). L'espacement entre les trous, mesuré du centre d'un trou au centre du trou suivant (en commençant par le trou supérieur) est respectivement de 15,9, 15,9 et 12,7 mm (0,625, 0,625 et 0,5 pouces) pour les rails verticaux avant et arrière (voir la figure 2-3). Les armoires rack peuvent comporter des trous ronds ou carrés.

REMARQUE : les rails verticaux peuvent être marqués par des lignes horizontales et des chiffres progressant par incréments de 1 U. Si vous le souhaitez, vous pouvez noter le nombre figurant sur le rail vertical du rack. Dans ce cas, il n'est pas nécessaire de marquer le rack ou d'y apposer un morceau de bande adhésive. Si vous choisissez cette méthode, passez directement à la procédure "Installation des rails coulissants RapidRails".

Figure 2-3. Unité de rack



ATTENTION : si vous installez plusieurs systèmes, placez les rails coulissants de façon à ce que le premier système soit disposé le plus bas possible dans le rack.

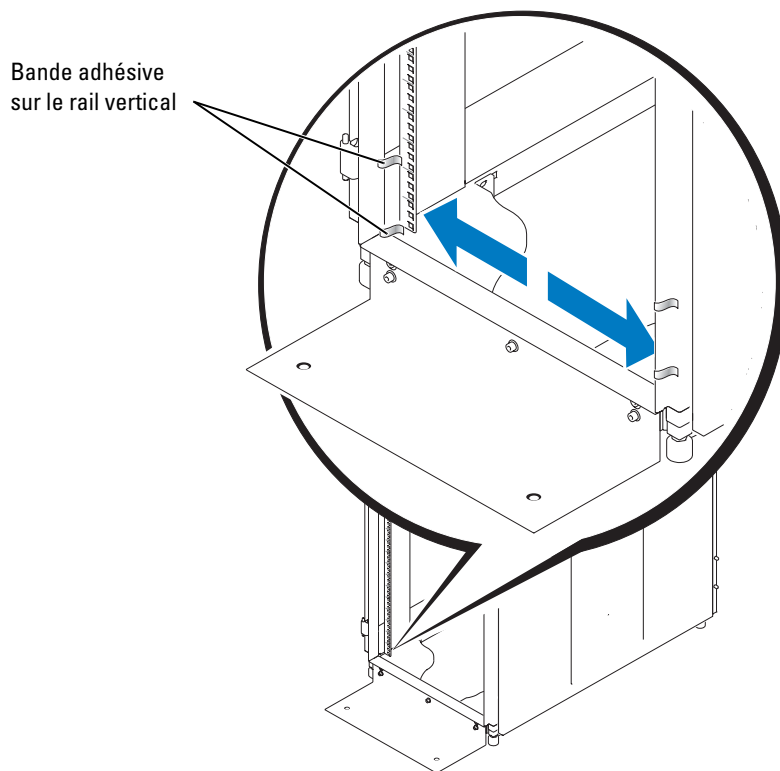
Pour marquer le rack, procédez comme suit :

- 1 Placez une marque sur les rails verticaux avant du rack, à l'endroit correspondant au bas du système à installer dans l'armoire rack.

Le bas de chaque espace de 1 U se trouve au milieu de la zone métallique la plus étroite située entre les trous (repérée par une ligne horizontale sur certaines armoires rack, voir la figure 2-4).

- 2 Placez une marque à 88 mm (3,5 pouces) au-dessus de la marque originale que vous avez faite (ou comptez jusqu'à six trous dans les racks conformes aux normes EIA-310), puis marquez les rails verticaux du rack avec un stylo feutre ou de la bande protectrice adhésive (si vous avez compté les trous, placez une marque juste au-dessus du trou du haut). Cette marque ou ce morceau de bande adhésive indique l'endroit où le rebord supérieur du système sera installé sur les rails verticaux (voir la figure 2-4).

Figure 2-4. Marquage des rails verticaux



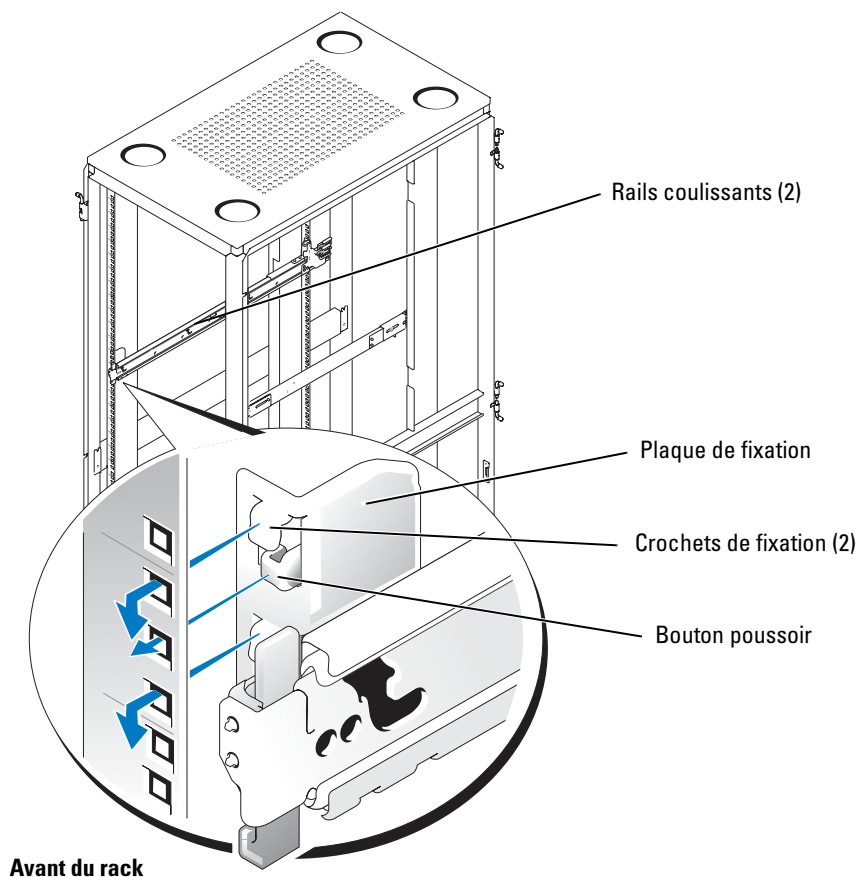
Installation des rails coulissants RapidRails

- 1 À l'avant de l'armoire rack, positionnez l'un des rails RapidRails de façon à ce que sa plaque de fixation soit située entre les marques (ou le morceau de bande adhésive) placées sur le rack (voir la figure 2-5).

Le crochet de fixation supérieur sur la bride de fixation avant du rail coulissant doit pénétrer dans le trou supérieur situé entre les marques que vous avez faites sur les rails verticaux.

- 2 Poussez le rail coulissant vers l'avant jusqu'à ce que le crochet de fixation pénètre dans son trou carré sur le rail vertical, puis poussez vers le bas sur la plaque de fixation jusqu'à ce que les crochets de fixation s'enclenchent dans les trous carrés et que le bouton poussoir ressorte avec un déclic (voir la figure 2-5).

Figure 2-5. Installation des rails coulissants RapidRails



- 3 À l'arrière de l'armoire, tirez sur la plaque de fixation jusqu'à ce que le crochet de fixation supérieur soit positionné dans le trou carré, puis poussez vers le bas sur la plaque de fixation jusqu'à ce que le crochet de fixation s'enclenche dans les trous carrés et que le bouton poussoir ressorte avec un déclic.
- 4 Répétez les étapes 1 à 3 pour le rail coulissant de l'autre côté du rack.



REMARQUE : vérifiez que les rails coulissants sont placés à la même hauteur sur les rails verticaux de chaque côté du rack.

Installation des rails coulissants VersaRails

- 1 À l'avant de l'armoire rack, positionnez l'un des rails VersaRails de façon à ce que sa plaque de fixation soit située entre les marques ou la bande adhésive (ou l'emplacement numéroté) sur le rack (voir la figure 2-6).

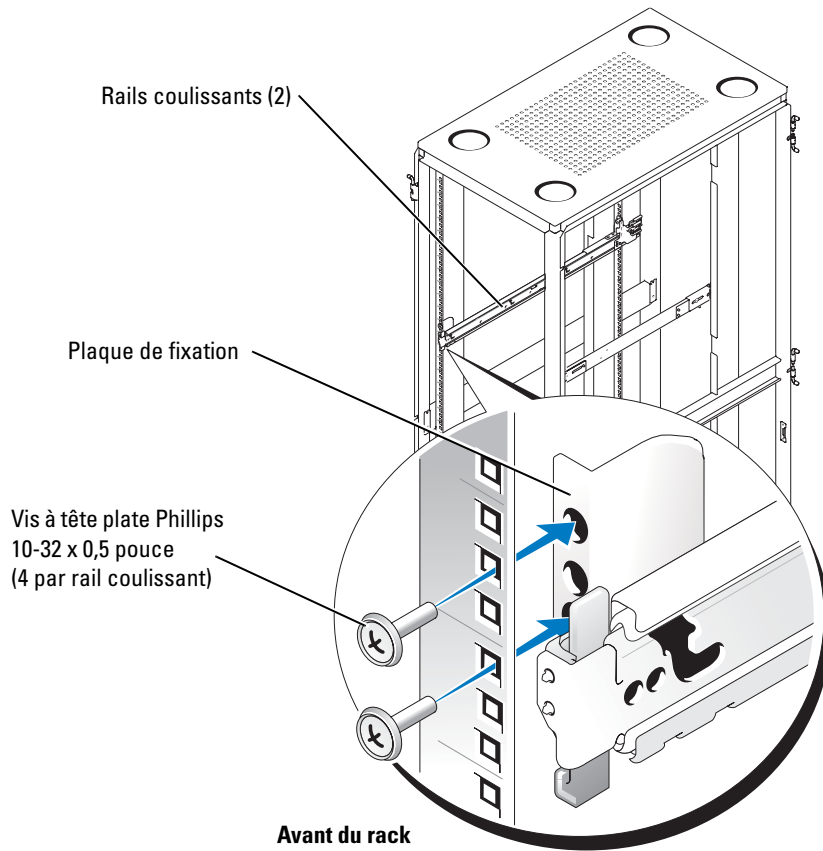
Les quatre trous à l'avant de la plaque de fixation doivent correspondre avec quatre des trous entre les marques que vous avez effectuées sur le rail vertical avant.

- 2 Insérez deux des vis Phillips 10-32 x 0,5 dans le trou du haut et le troisième trou à partir du haut de la plaque de fixation, afin de fixer le rail coulissant au rail vertical avant (voir la figure 2-6).
- 3 À l'arrière de l'armoire, tirez sur la plaque de fixation jusqu'à ce que les trous de montage s'alignent avec les trous respectifs sur le rail vertical arrière.
- 4 Insérez deux vis Phillips à tête plate 10-32 x 0,5 dans le trou du haut et le troisième trou à partir du haut de la bride de fixation arrière afin de fixer le rail coulissant au rail vertical arrière.
- 5 Répétez les étapes 1 à 4 pour le rail coulissant de l'autre côté du rack.



REMARQUE : vérifiez que les rails coulissants sont placés à la même hauteur sur les rails verticaux de chaque côté du rack.

Figure 2-6. Installation des rails coulissants VersaRails



Installation du système dans le rack

⚠ ATTENTION : si vous installez plusieurs systèmes, installez le premier le plus bas possible dans le rack.

⚠ ATTENTION : ne retirez jamais plusieurs composants du rack en même temps.

1 Tirez à fond les deux rails coulissants hors du rack jusqu'à ce qu'ils se bloquent.

⚠ ATTENTION : en raison de la taille et du poids du système, n'essayez jamais de l'installer tout seul dans les rails coulissants.

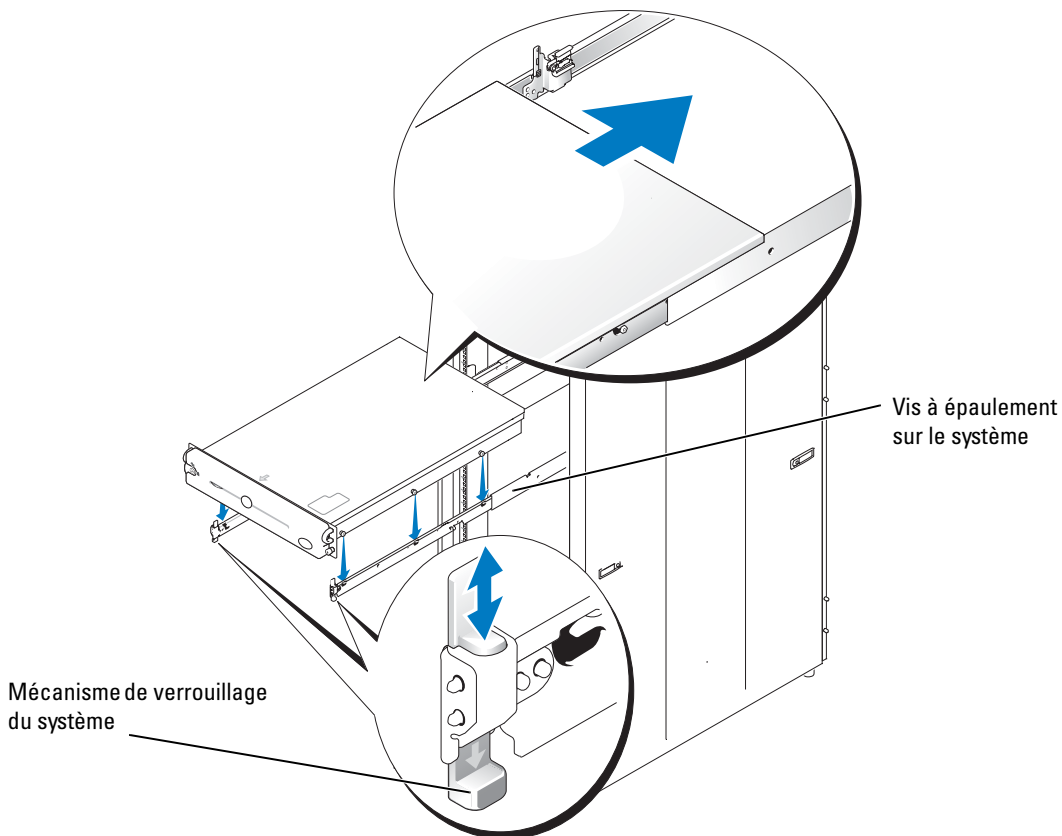
2 Soulevez le système pour le placer à l'avant des rails coulissants étendus (voir la figure 2-7).

3 Placez une main en bas et à l'avant du système, et l'autre en bas et à l'arrière.

4 Inclinez l'arrière du système vers le bas tout en alignant les vis à épaulement arrière des côtés du système avec les fentes arrière des rails coulissants.

5 Engagez les vis à épaulement arrière dans leurs fentes.


Figure 2-7. Installation du système dans le rack (RapidRails ou VersaRails)




- 6 Abaissez l'avant du système et engagez les vis à épaulement avant et centrale dans leurs fentes (la fente centrale se trouve juste derrière le loquet jaune de dégagement du système).

Lorsque toutes les vis à épaulement sont en place, le mécanisme situé à l'avant de chaque rail coulissant s'enclenche et verrouille le système.

- 7 Poussez vers le haut sur le loquet de dégagement de chaque rail pour faire coulisser le système entièrement dans le rack.
- 8 Enfoncez et serrez les vis à molette captives situées de chaque côté du panneau avant du châssis, pour fixer le système au rack.

 **REMARQUE :** pour retirer le système des rails coulissants, appuyez sur les renforcements du mécanisme de verrouillage et tirez le système.

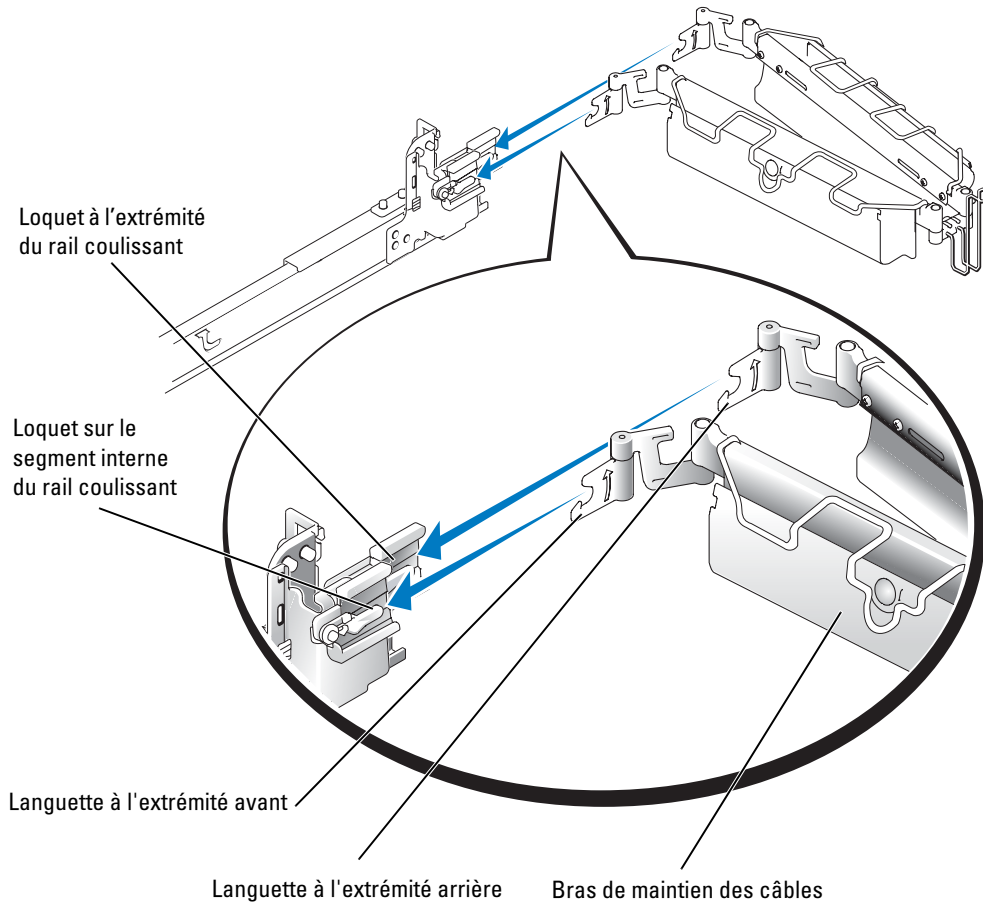
Installation du bras de maintien des câbles

 **AVIS** : le bras de maintien des câbles ne peut être installé que sur le côté droit de l'armoire rack, vu de l'arrière.

Pour installer le support de câbles sur le système, procédez comme suit :

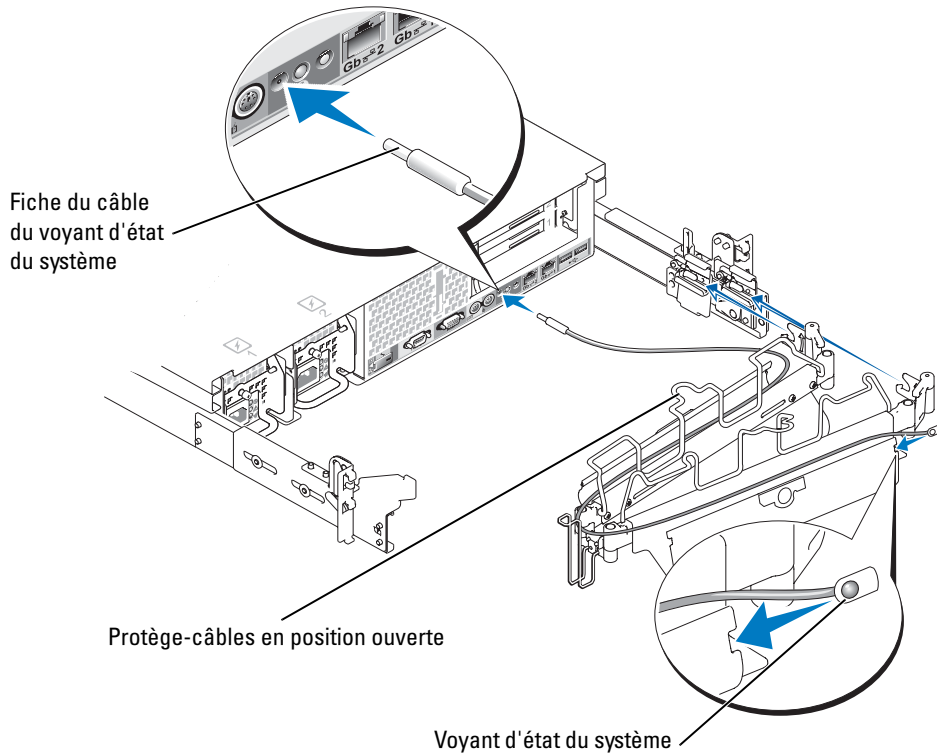
- 1** En vous plaçant face à l'arrière de l'armoire rack, repérez le loquet à l'extrémité du rail coulissant.
- 2** Poussez la languette à l'extrémité arrière du bras de maintien des câbles pour la faire pénétrer dans le loquet à l'extrémité du rail coulissant (voir la figure 2-8).
Le loquet émet un déclic lorsqu'il s'enclenche.
- 3** Poussez la languette à l'extrémité avant du bras de maintien des câbles pour la faire pénétrer dans le loquet correspondant sur le segment interne du rail coulissant (voir la figure 2-8).
Le loquet émet un déclic lorsqu'il s'enclenche.

Figure 2-8. Installation du bras de maintien des câbles



- 4 Si votre système dispose d'un câble pour voyant d'état, insérez la fiche correspondante dans son connecteur (voir la figure 2-9).
- 5 Dégagez les protège-câbles sur le bras de maintien en soulevant le centre du protège-câbles au-dessus du bouton rond embouti sur le devant, sur la partie avant du bras, et au-dessus de l'autre bouton rond similaire, sur la partie arrière du bras.
Le protège-câbles pivote et s'ouvre pour permettre de placer les câbles dans le bras.
- 6 Faites passer l'extrémité du câble du voyant d'état dans le bras de maintien des câbles, puis installez le voyant dans sa fente à l'extrémité arrière du bras (voir la figure 2-9).

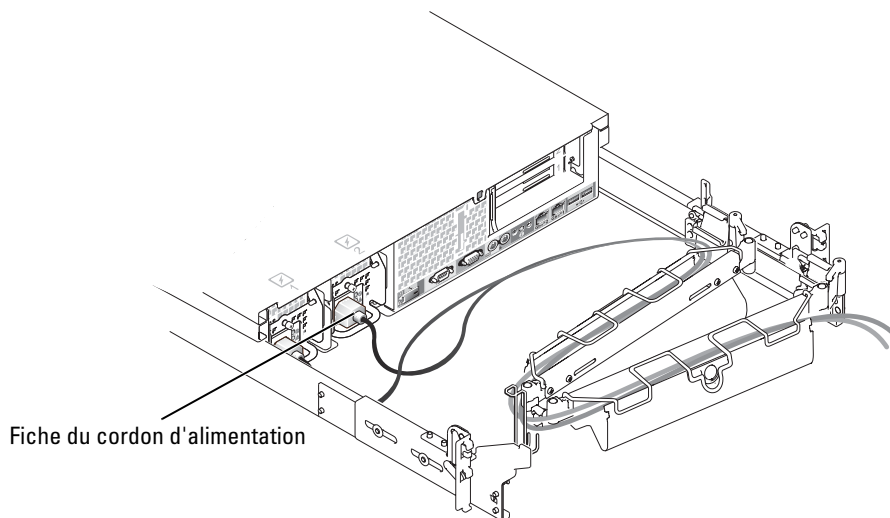
Figure 2-9. Installation du bras de maintien des câbles



- 7 Branchez les cordons d'alimentation dans leurs connecteurs sur le panneau arrière (voir la figure 2-10).

REMARQUE : utilisez les boucles des serre-câbles (si elles sont présentes), à l'arrière des blocs d'alimentation, pour fixer les câbles d'alimentation.

Figure 2-10. Routage des cordons d'alimentation



⚠ ATTENTION : laissez un peu de mou à chaque câble lorsque vous le passez autour des charnières du bras de maintien des câbles.

- 8** Branchez les connecteurs des câbles d'E/S sur les connecteurs correspondants en face arrière du système .

Pour obtenir plus de détails sur les connexions des câbles, reportez-vous au *Guide Installation* et dépannage et au *Guide de l'utilisateur*.

- 9** Faites passer le cordon d'alimentation et les câbles d'E/S dans le bras de maintien des câbles, à l'aide de quatre serre-câbles détachables peu serrées (deux au centre et un à chaque extrémité du bras). À ce stade, ne serrez pas encore à fond les serre-câbles (voir la figure 2-11).

Laissez un peu de mou aux câbles dans le bras, afin d'éviter de les endommager.

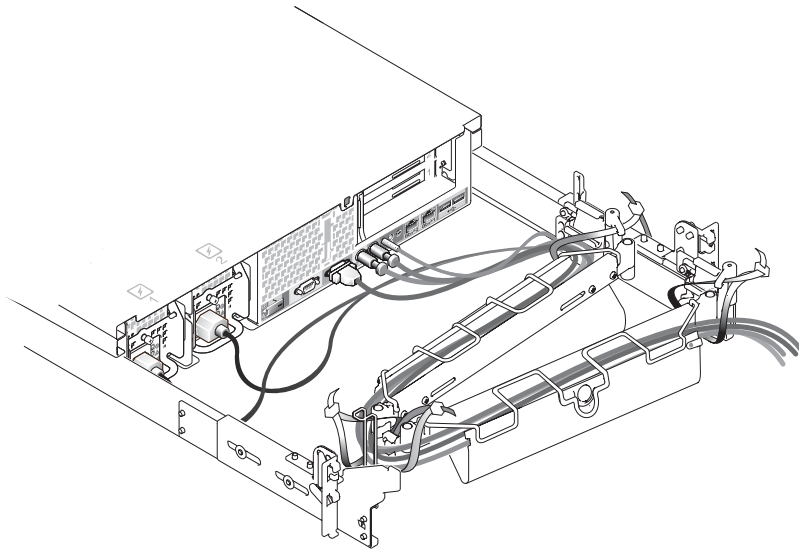
- 10** Fixez les câbles sur le bras de maintien des câbles :

- a** Après avoir branché les câbles au système, dévissez les vis à molette fixant l'avant du système au rail vertical avant.
- b** Sortez le système vers l'avant, en position étendue maximale.
- c** Faites passer les câbles le long du bras de maintien. Réglez si nécessaire le mou au niveau des charnières, puis fixez les câbles au bras de maintien à l'aide des attache-câbles détachables. Enfin, rabattez les protège-câbles sur le bras de maintien des câbles.

✍ REMARQUE : lorsque vous tirez le système au maximum, les charnières vont se verrouiller dans cette position. Pour replacer le système dans le rack, appuyez sur le loquet de déverrouillage sur le côté du rail coulissant, puis repoussez le système à fond dans le rack.

- 11 Poussez le système dans le rack puis ressortez-le, pour vérifier que les câbles sont installés correctement et ne se bloquent pas, ne se tendent pas et ne se coincent pas lors du déplacement du bras de maintien des câbles.
- 12 Resserrez juste assez les fixe-câbles pour que les câbles aient un mou suffisant, ni trop tendu, ce qui les coincerait, ni trop lâche, permettant d'éviter que les câbles ne glissent lors de l'introduction et de l'extraction du système dans le rack.

Figure 2-11. Routage des câbles



Remise en place des portes du rack

Reportez-vous aux procédures de remise en place des portes dans la documentation fournie avec l'armoire rack.


⚠ ATTENTION : compte tenu de leur poids et taille, ne retirez ou n'installez jamais les portes tout seul.

L'installation de votre système dans une armoire en rack à quatre montants est maintenant terminée.

Installation dans un rack à deux montants

Le kit du rack à deux montants sert à installer un système dans un rack à deux montants et à châssis ouvert, système couramment utilisé en télécommunications. Les racks à deux montants de 3 et 6 pouces de large avec un espacement des trous universel ou large sont utilisables. Vous pouvez installer ce kit dans une configuration en montage central ou en encastrement. Ce kit pour rack à deux montants comprend des rails coulissants permettant d'extraire le système du rack lorsque des opérations de maintenance sont requises.

Le rack à deux montants et châssis ouvert doit être correctement fixé au sol, au plafond ou en haut de mur (le cas échéant aux racks adjacents), à l'aide de fixations et de renforts au sol et muraux, recommandés ou agréés par le fabricant du rack ou par les normes de l'industrie. Consultez la documentation d'installation fournie par le fabricant du rack pour connaître les mises en gardes à respecter avant de démarrer l'installation.

 **ATTENTION : n'essayez pas d'installer ce système dans un rack à deux montants avec châssis ouvert qui n'est pas solidement fixé en place. Vous risqueriez d'endommager le système, de vous blesser ou de blesser d'autres personnes.**

Reportez-vous aux instructions de sécurité situées au début de ce guide pour connaître les informations de sécurité supplémentaires relatives à l'installation du rack.

Tâches d'installation du rack à deux montants

Pour installer un kit pour rack à deux montants, vous devez effectuer les tâches suivantes dans l'ordre indiqué :

- 1 Marquage du rack (si nécessaire)
- 2 Installation des rails coulissants dans le rack :
 - Installation en montage central
 - Installation en encastrement
- 3 Installation du système dans le rack
- 4 Installation du bras de maintien des câbles
- 5 Routage des câbles

Outils et fournitures recommandés

Les outils et fournitures suivants peuvent être nécessaires pour installer le système dans un rack à deux montants à châssis ouvert :

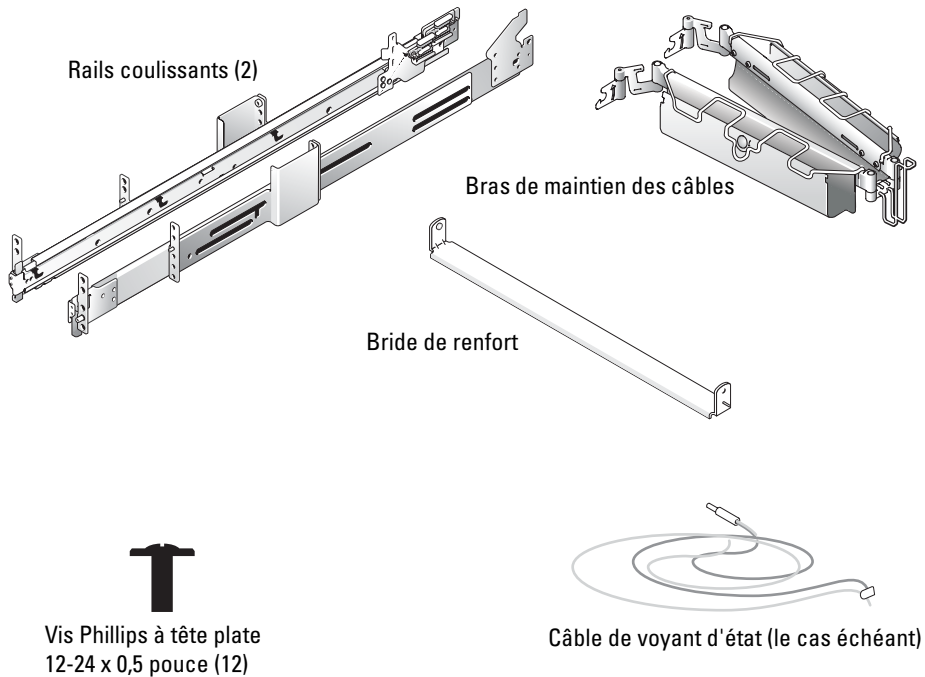
- Tournevis Phillips n°2
- Clé de 11/32ème de pouce ou tournevis à douille (si vous passez à une configuration en encastrement)
- De la bande adhésive ou un stylo feutre pour marquer les trous de montage à utiliser

Contenu du kit de rack

Le kit pour rack à deux montants comprend les éléments suivants (voir la figure 2-12) :

- Une paire de rails coulissants (pour rack à deux montants)
- Une bride de renfort
- Un bras de maintien des câbles
- Un câble de voyant d'état (le cas échéant)
- 12 vis à tête plate Phillips 12-24 x 0,5 pouce
- Des serre-câbles (non représentés sur la figure 2-12)

Figure 2-12. Composants du kit de rack à deux montants



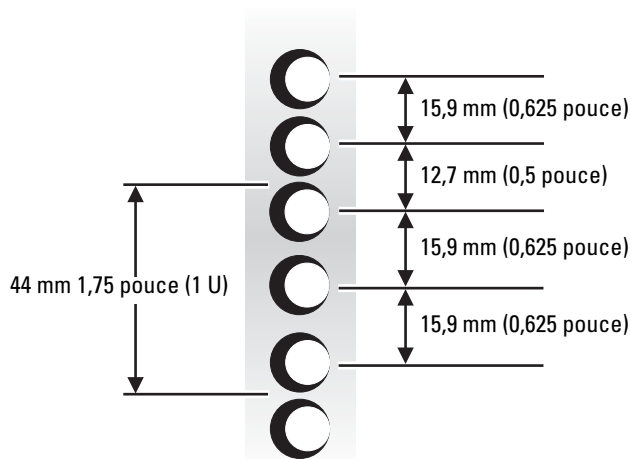
Marquage du rack

Vous devez laisser un espace vertical de 2 U (88 mm ou 3,5 pouces) pour chaque système installé dans le rack à deux montants.

Racks à espacement universel des trous

Les rack à deux montants conformes aux normes de l'industrie et espacement universel des trous montrent des groupes de trois trous par U (unité). Les espacements entre chacun des trois trous, mesurés du centre d'un trou jusqu'au centre du trou suivant (en commençant par le trou supérieur d'un espace de 1 U) sont respectivement de 15,9, 15,9 et 12,7 mm (0,625, 0,625 et 0,5 pouces) pour la colonne de trous à l'avant et à l'arrière (voir la figure 2-13).

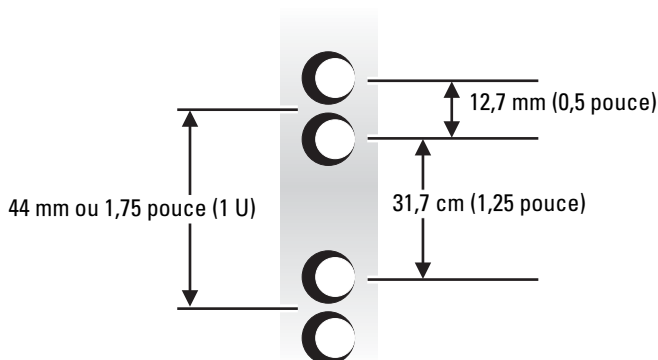
Figure 2-13. Espacement des trous sur un rack universel à deux montants et châssis ouvert



Racks à espacement large des trous

Certains rack à deux montants, avec un espacement large des trous, alternent un groupe de deux trous par U (unité). L'espacement des trous, mesuré du centre d'un trou jusqu'au centre du trou suivant (en commençant par le trou supérieur d'un espace de 1 U) est de 31,7 et 12,7 mm (1,25 et 0,5 pouce) pour chaque colonne verticale de trous, à l'avant et à l'arrière (voir la figure 2-14).


Figure 2-14. Espacement large des trous sur un rack à deux montants avec châssis ouvert



Pour marquer le rack, procédez comme suit :


- 1 Placez une marque sur les rails verticaux avant du rack, à l'endroit correspondant au bas du système à installer dans le rack à deux montants.

La partie inférieure de chaque espacement de 1 U se trouve au centre de la zone métallique la plus étroite entre les trous.

 **REMARQUE** : si votre rack est doté d'un espacement large entre les trous, passez à l'étape 3.

- 2 Placez une marque à 88 mm (3.5 pouces) au-dessus de la marque originale que vous avez faite, ou comptez jusqu'à six trous dans un rack à espacement universel des trous (voir la figure 2-13).

Chaque unité de 1 U (44 mm ou 1,75 pouce) dans un rack à espacement universel comporte trois trous. L'espacement des trous, mesuré du centre d'un trou jusqu'au centre du trou suivant (en commençant par le trou supérieur d'un espace de 1-U) est de 15,9, 15,9 et 12,7 mm (0,625, 0,625 et 0,5 pouce) (voir la figure 2-13).


 **REMARQUE** : pour un rack avec espacement universel des trous, la procédure de marquage est terminée.

- 3 Placez une marque à 88 mm (3,5 pouces) au-dessus de la marque originale que vous avez faite, ou comptez jusqu'au quatrième trou suivant dans un rack avec espacement large des trous (voir la figure 2-14).

Chaque unité 1 U (soit 44 mm ou 1,75 pouce) d'espace vertical dans un rack à espacement universel des trous comporte deux trous. L'espacement des trous, mesurés du centre d'un trou jusqu'au centre du trou suivant (en commençant par le trou supérieur d'un espace de 1 U) est de 31,7 mm (1,25 pouce) (voir la figure 2-14).

Installation des rails coulissants dans le rack

Vous pouvez installer les rails coulissants dans un rack à deux montants à châssis ouvert avec espacement universel des trous (voir la figure 2-13) ou bien avec espacement large (voir la figure 2-14). Vous pouvez installer les rails coulissants 2 U dans une configuration en encastrement ou en montage central.

 **ATTENTION** : n'essayez pas d'installer d'autres systèmes avec ce kit de rack. Utilisez uniquement le kit de rack prévu pour votre système. Si vous employez le kit d'un autre système, vous risquez d'endommager le système et d'exposer autrui et vous-même à des risques de blessures.

Installation en montage central

Le kit de rack à deux montants est fourni avec des supports configurés pour une installation en montage central. Pour effectuer l'installation, procédez comme suit :

- 1 Repérez le rail coulissant droit et poussez le support arrière vers l'arrière du rail coulissant (voir la figure 2-16).
- 2 Positionnez le rail coulissant droit dans le rack à deux montants à l'emplacement que vous avez marqué, poussez le support arrière vers l'avant contre le rack vertical à deux montants, fixez la plaque de montage avant avec deux des vis Phillips 12 24 x-0,5, puis fixez la plaque de montage centrale arrière au rack à l'aide de trois vis Phillips 12 24 x-0,5 (voir la figure 2-16).
- 3 Répétez les étapes 1 et 2 pour installer le rail coulissant gauche dans le rack.
- 4 Installez la bride de renfort entre les extrémités arrière des rails coulissants et fixez-la avec une vis Phillips 12-24 x 0,5 sur chaque rail coulissant (voir la figure 2-16).

Figure 2-15. Supports préparés pour une installation centrale

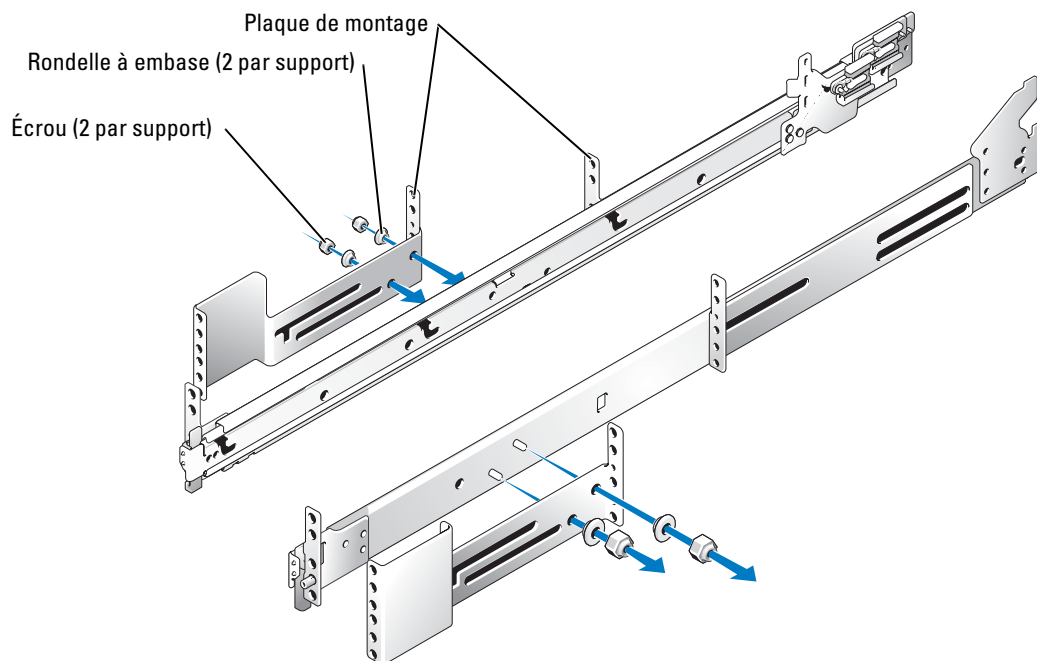
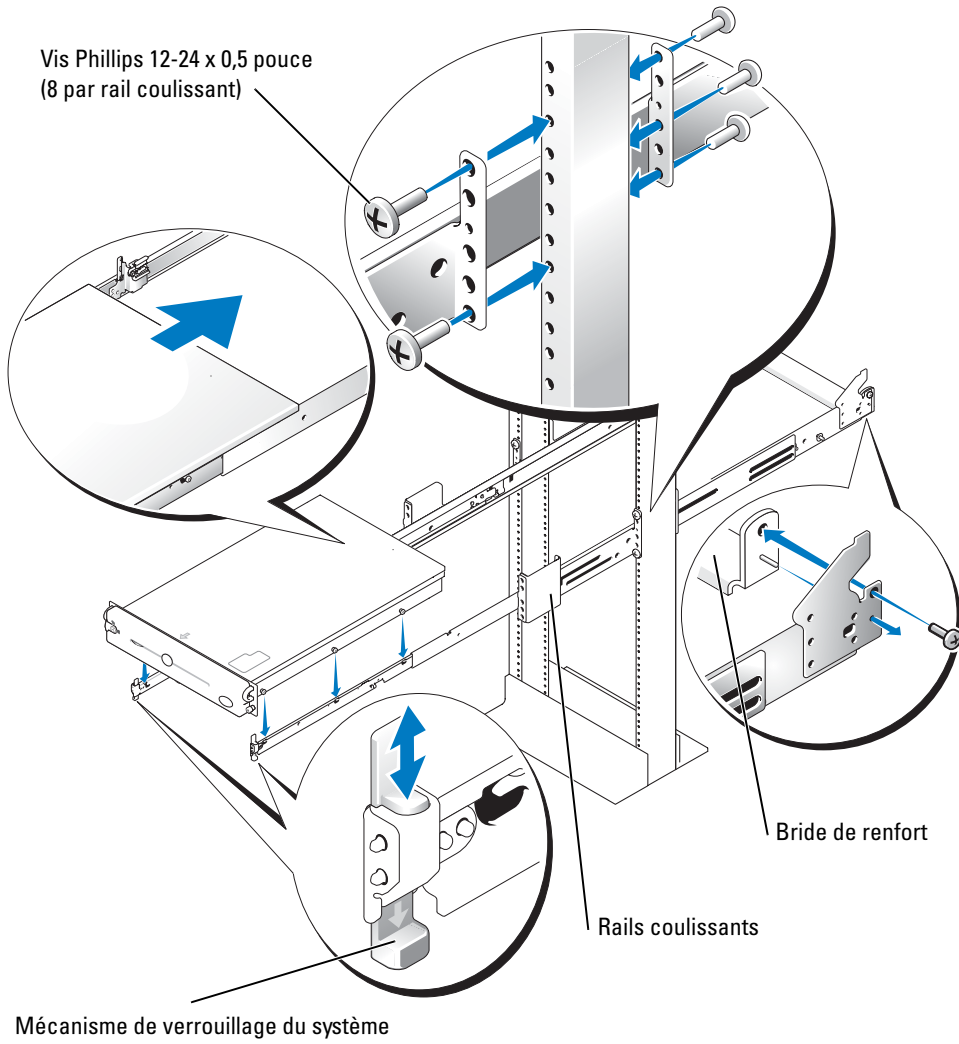


Figure 2-16. Installation des rails coulissants pour une configuration en montage central



Installation en encastrement

Le kit de rack à deux montants est fourni avec des supports configurés pour une installation en montage central. Pour préparer les rails coulissants en vue d'une installation en encastrement dans le rack à deux montants, procédez comme suit :

- 1 Repérez les deux rails coulissants et placez-les côte à côte sur une surface de travail lisse, l'avant des rails vers vous. Positionnez les deux rails coulissants de façon à ce que les supports centraux soient orientés vers le haut (voir la figure 2-17).

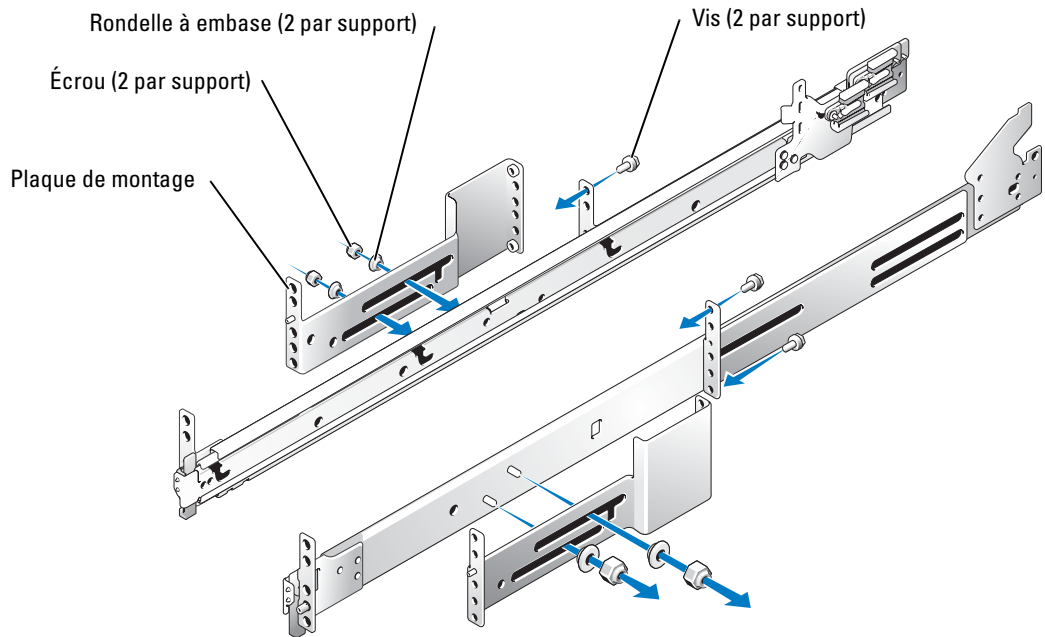


REMARQUE : pour préparer les rails coulissants pour une installation en encastrement, retirez la plaque de montage avant, faites-la pivoter de 180 degrés, puis réinstallez-la sur le rail coulissant opposé.

- 2 À l'aide d'un tournevis Phillips n° 2 et d'une clé de 11/32ème ou d'un tournevis à douille, retirez deux vis Phillips 12-24 x 0,5 pouce, deux écrous et deux rondelles à embase de chaque support central avant (voir la figure 2-17).
- 3 Retirez le support avant des deux rails coulissants.
- 4 Faites pivoter de 180 degrés le support d'un rail coulissant, afin d'orienter sa plaque de montage vers l'avant, et placez-le sur les goujons filetés du rail opposé (voir la figure 2-17).
- 5 Resserrez à la main chaque support de montage central avant sur leur rail opposé à l'aide des deux rondelles à embase et des deux écrous que vous avez retirés à l'étape 2 (voir la figure 2-17).

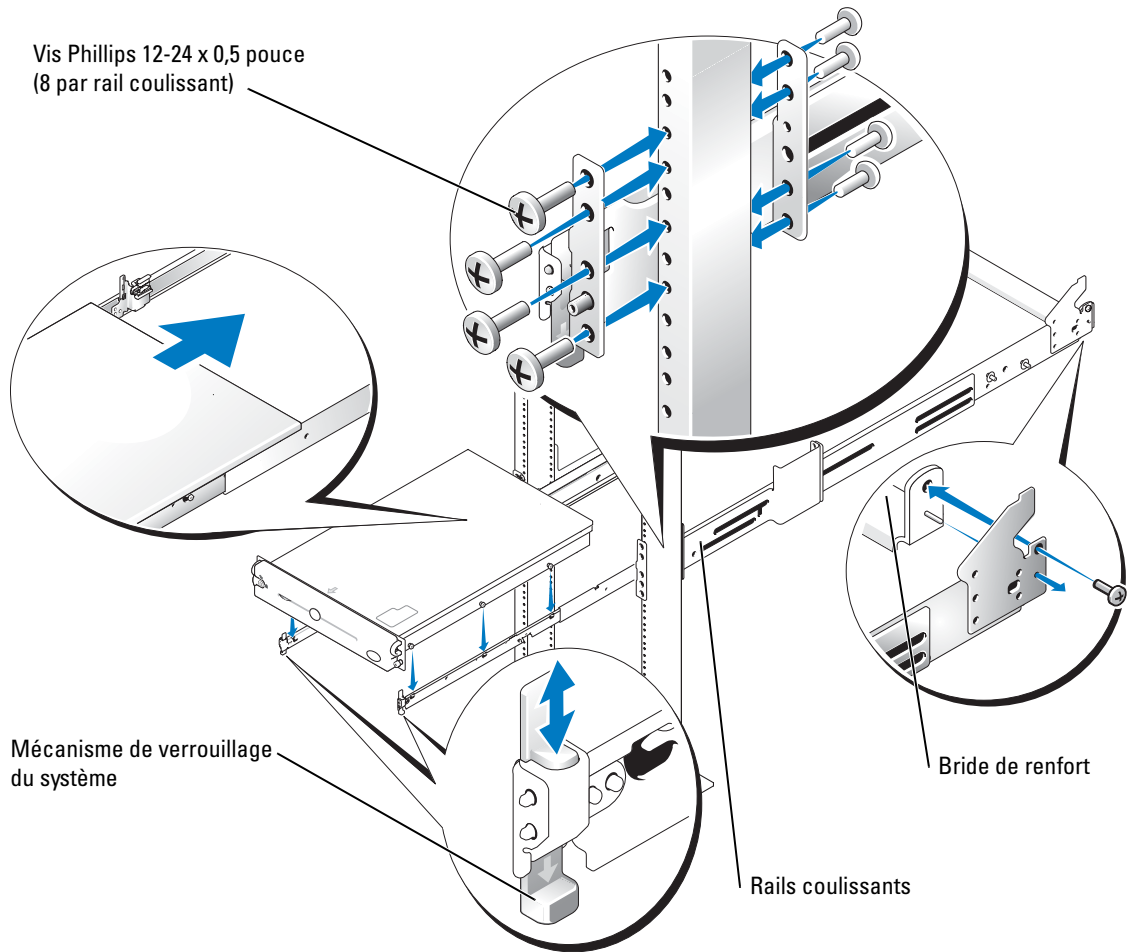
Le support ainsi assemblé devient le nouveau support arrière étendu.

Figure 2-17. Rotation du support de montage avant pour une installation en encastrement



- 6 Répétez les étapes 4 à 5 pour l'autre rail coulissant.
- 7 En maintenant le rail coulissant gauche à l'emplacement que vous avez marqué dans le rack à deux montants, appliquez étroitement le support arrière étendu contre le rack, et fixez-le à l'aide de quatre vis Phillips 12-24 x 0,5 pouce (voir la figure 2-18).
- 8 Fixez le support avant du rail coulissant au rack, à l'aide de quatre vis Phillips 12-24 x 0,5 pouce (voir la figure 2-18).
REMARQUE : utilisez les quatre vis pour fixer fermement le support au rail.
- 9 Répétez les étapes 7 et 8 pour installer le rail coulissant droit dans le rack.

Figure 2-18. Installation des rails coulissants pour une configuration en encastrement



- 10** À l'aide d'une clé de 11/32ème de pouce ou d'un tournevis à douille, resserrez à fond les écrous que vous aviez serrés à la main sur les supports de montage des deux rails coulissants.
- 11** Installez la bride de renfort entre les extrémités arrière des rails coulissants et fixez-la avec une vis Phillips 12-24 x 0,5 sur chaque rail coulissant (voir la figure 2-18).

Installation du système dans le rack



ATTENTION : en raison de la taille et du poids du système, ne tentez jamais de l'installer seul(e).



REMARQUE : la procédure d'installation d'un système dans un rack est identique à celle des rails coulissants à encastrement ou à montage central.

- 1 Tirez à fond les rails coulissants.



ATTENTION : en raison de la taille et du poids du système, n'essayez jamais de l'installer tout seul dans les rails coulissants.

- 2 Soulevez le système et placez-le dans la bonne position (voir la figure 2-18).
- 3 Placez une main en bas et à l'avant du système, et l'autre en bas et à l'arrière.
- 4 Inclinez l'arrière du système vers le bas tout en alignant les vis à épaulement arrière des côtés du système avec les fentes arrière des rails coulissants.
- 5 Engagez les vis à épaulement arrière dans leurs fentes.
- 6 Abaissez l'avant du système et engagez les vis à épaulement avant et centrale dans leurs fentes. La fente centrale se trouve juste derrière le loquet de dégagement du système (voir figure 2-18).

Lorsque toutes les vis à épaulement sont en place, le mécanisme situé à l'avant de chaque rail coulissant s'enclenche et verrouille le système.

- 7 Poussez vers le haut sur le loquet de dégagement de chaque rail pour faire coulisser le système entièrement dans le rack (voir la figure 2-18).
- 8 Enfoncez et serrez les vis à molette captives situées de chaque côté du panneau avant du châssis, pour fixer le système au rack.



REMARQUE : pour retirer le système des rails coulissants, appuyez sur les renforcements du mécanisme de verrouillage et tirez le système.

Installation du bras de maintien des câbles

Reportez-vous à “Installation du bras de maintien des câbles” dans la section “Installation d'un rack à quatre montants” au début de ce document.

Routage des câbles

Reportez-vous à Routage des câbles, dans la section “Installation d'un rack à quatre montants” au début de ce document.

Vous avez maintenant terminé l'installation du kit dans un rack à deux montants.

Index

B

- Bras de maintien des câbles
 - installation, 2-16, 2-30
 - routage des câbles, 2-19, 2-30
- Bride de renfort, 2-22
 - installation, 2-25, 2-29

C

- Câbles, 2-19
- Consignes de sécurité, 2-5
- Contenu
 - kit pour rack à deux montants, 2-22
 - kit RapidRails, 2-8
 - kit VersaRails, 2-8
- Contenu du kit
 - RapidRails, 2-8
 - VersaRails, 2-9

I

- Installation
 - bras de maintien des câbles, 2-30
 - rails coulissants pour rack à deux montants, 2-24
 - rails coulissants
 - RapidRails, 2-12
 - rails coulissants
 - VersaRails, 2-13

- Installation dans le rack système, 2-14-2-15
- Installation du système
 - rack à deux montants, 2-30
 - rack à quatre montants, 2-14

K

- Kit du rack à deux montants
 - installation des rails coulissants, 2-24
 - installation du bras de maintien des câbles, 2-30
 - installation du système, 2-30
 - installation en encastrement, 2-27
 - installation en montage central, 2-25
 - marquage du rack, 2-22
 - routage des câbles, 2-30
- Kit pour armoire à quatre montants
 - contenu du kit RapidRails, 2-8
 - contenu du kit VersaRails, 2-8
 - installation du bras de maintien des câbles, 2-16
 - installation du système, 2-14
 - marquage du rack, 2-10
 - outils, 2-7
 - rails coulissants
 - RapidRails, 2-12
 - rails coulissants
 - VersaRails, 2-13
 - tâches, 2-9

- Kit pour rack à deux montants
 - bride de renfort, 2-22
 - contenu, 2-22
 - outils, 2-21
 - tâches, 2-21

M

- Marquage du rack
 - kit pour armoire à quatre montants, 2-10
 - kit pour rack à deux montants, 2-22

O

- Outils
 - kit pour armoire à quatre montants, 2-7
 - kit pour rack à deux montants, 2-21

P

- Pieds stabilisateurs du rack, 2-7
- Portes
 - remise en place, 2-20
 - retrait, 2-9
- Précautions de montage des racks, 2-7

R

- Rails verticaux
 - marquage, 2-10
 - unité de rack, 2-10
- Routage des câbles, 2-30

S

- Spécifications de rack
 - requis pour les rails VersaRails, 2-6

T

- Tâches
 - kit pour armoire à quatre montants, 2-9
 - kit pour rack à deux montants, 2-21

U

- Unité de rack, 2-10

Rack-Installationsanleitung

Anmerkungen, Hinweise und Vorsichtshinweise



ANMERKUNG: Eine ANMERKUNG enthält wichtige Informationen, mit deren Hilfe Sie Ihren Computer besser nutzen können.



HINWEIS: Mit einem HINWEIS wird auf eine mögliche Beschädigung von Hardware oder den Verlust von Daten hingewiesen und erläutert, wie dieses Problem vermieden werden kann.



VORSICHT: VORSICHT zeigt eine potenziell gefährliche Situation an, die zu Sachschäden, Verletzungen oder zum Tod führen könnte.

**Irrtümer und technische Änderungen vorbehalten.
© 2004 Dell Inc. Alle Rechte vorbehalten.**

Eine Reproduktion dieses Dokuments in jeglicher Form ist nur mit vorheriger schriftlicher Genehmigung von Dell Inc. erlaubt.

Marken in diesem Text: *RapidRails* und *VersaRails* sind Marken von Dell Inc.

Andere in diesem Dokument möglicherweise verwendete Marken und Handelsbezeichnungen sind unter Umständen Marken und Namen der entsprechenden Firmen oder ihrer Produkte. Dell Inc. erhebt keinen Anspruch auf Marken und Handelsbezeichnungen mit Ausnahme der eigenen.

Inhalt

VORSICHT: Sicherheitshinweise	3-5
SICHERHEIT: Montieren von Systemen im Rack	3-5
Installationsanleitung	3-6
Montage in einem Rack mit vier Stützen	3-7
Bevor Sie beginnen	3-7
Empfohlene Werkzeuge und Zubehör	3-7
Inhalt des RapidRails-Rack-Kits	3-8
Inhalt des VersaRails-Rack-Kits	3-8
Ablauf der Installation	3-9
Abnehmen der Rack-Türen	3-9
Markieren des Racks	3-10
Einbau der RapidRails-Gleitschienen	3-12
Einbau der VersaRails-Gleitschienen	3-13
Installieren des Systems im Rack	3-14
Einbau des Kabelführungsarms	3-16
Wiederanbringen der Rack-Türen	3-19
Montage in einem Zwei-Stützen-Rack	3-20
Montage eines Racks mit zwei Stützen	3-20
Empfohlene Werkzeuge und Zubehör	3-20
Inhalt des Rack-Kits	3-21
Markieren des Racks	3-21
Einbau der Gleitschienen im Rack	3-23
Montieren des Systems im Rack	3-29
Einbau des Kabelführungsarms	3-29
Verlegen der Kabel	3-29
 Index	 3-31

Abbildungen

Abbildung 3-1.	Inhalt des RapidRails-Rack-Kits	3-8
Abbildung 3-2.	Inhalt des VersaRails-Rack-Kits	3-9
Abbildung 3-3.	Eine Rack-Einheit	3-10
Abbildung 3-4.	Markieren der vertikalen Schienen	3-11
Abbildung 3-5.	Einbau der RapidRails-Gleitschienen	3-12
Abbildung 3-6.	Einbau der VersaRails-Gleitschienen	3-14
Abbildung 3-7.	Installation des Systems im Rack (RapidRails oder VersaRails)	3-15
Abbildung 3-8.	Einbau des Kabelführungsarms	3-16
Abbildung 3-9.	Einbau des Kabelführungsarms	3-17
Abbildung 3-10.	Verlegen der Netzkabel	3-18
Abbildung 3-11.	Verlegen der Kabel	3-19
Abbildung 3-12.	Komponenten des Rack-Kits mit zwei Stützen	3-21
Abbildung 3-13.	Universeller Lochabstand beim offenen Relaisgestell mit zwei Stützen	3-22
Abbildung 3-14.	Weiter Lochabstand beim offenen Relaisgestell mit zwei Stützen	3-22
Abbildung 3-15.	Klammern für Mittenmontage	3-24
Abbildung 3-16.	Einbau der Gleitschienen für die Mittenmontage	3-25
Abbildung 3-17.	Drehen der vorderen Montagehalterung für bündige Montage	3-27
Abbildung 3-18.	Einbau der Gleitschienen für die bündige Montage	3-28

VORSICHT: Sicherheitshinweise

Beachten Sie die nachfolgenden Sicherheitshinweise, um Ihre eigene Sicherheit zu gewährleisten und eine Beschädigung Ihres Systems sowie Ihrer Arbeitsumgebung zu vermeiden. Vollständige Informationen über die Sicherheitsanforderungen finden Sie im *Produktinformationshandbuch*.


SICHERHEIT: Montieren von Systemen im Rack

Folgende Vorsichtsmaßnahmen dienen der Stabilität und Sicherheit des Racks.

Systeme gelten als Komponenten in einem Rack. Der Begriff „Komponente“ kann also ein beliebiges System oder verschiedene Peripheriegeräte oder Zusatzhardware bezeichnen.

 **VORSICHT: Werden Systemkomponenten in einem Rack installiert, an dem die vorderen und seitlichen Stabilisatoren fehlen, kann das Rack umkippen, was unter Umständen schwere Verletzungen zur Folge haben kann. Befestigen Sie daher immer zuerst die Stabilisatoren, bevor Sie Komponenten im Rack einbauen.**

Ziehen Sie nach dem Einbau von Systemen/Komponenten in einem Rack niemals mehr als eine Komponente gleichzeitig auf ihren Gleitschienen aus dem Rack. Durch das Gewicht von mehr als einer Komponente kann das Rack umkippen und Verletzungen verursachen.

 **ANMERKUNG:** Das System ist als freistehende Einheit und unter Verwendung des Rack-Einbausatzes durch den Kunden als Komponente in einem Rack-Schrank sicherheitsgeprüft. Der Einbau Ihres Systems und Rack-Kits in anderen Racks wurde von keiner Prüfbehörde untersucht. Sie sind selbst dafür verantwortlich, dass die endgültige Kombination von System und Rack alle geltenden Sicherheitsstandards und die lokalen Elektrizitätsrichtlinien erfüllt. Der Hersteller lehnt jegliche Haftung und Gewährleistung für solche Kombinationen ab.

- System-Rack-Kits müssen von geschulten Servicetechnikern in einem Rack installiert werden. Wenn Sie das Kit in einem anderen Rack installieren, vergewissern Sie sich, dass das Rack die Spezifikationen erfüllt.

 **VORSICHT: Große Racks dürfen nicht von einer Person allein bewegt werden. Wegen der Höhe und des Gewichtes des Racks sollte diese Arbeit mit mindestens zwei Personen durchgeführt werden.**

- Bevor Sie an einem Rack arbeiten, vergewissern Sie sich, dass die Stabilisatoren sicher am Rack befestigt sind, fest auf dem Boden aufliegen und dass das gesamte Gewicht des Racks auf dem Boden lastet. Montieren Sie an einem einzelnen Rack vordere und seitliche Stabilisatoren, an mehreren miteinander verbundenen Racks vordere Stabilisatoren, bevor Sie Arbeiten am Rack durchführen.
- Bestücken Sie das Rack immer von unten nach oben, und bauen Sie die schwerste Komponente zuerst in das Rack ein.
- Vergewissern Sie sich, dass das Rack gerade und stabil steht, bevor Sie eine Komponente aus dem Rack ziehen.
- Achten Sie auf Ihre Finger, wenn Sie auf die Schienenverriegelung der Komponente drücken und eine Komponente in das Rack schieben oder aus dem Rack ziehen: Quetschgefahr!

VORSICHT: Sicherheitshinweise (Fortsetzung)

- Wenn Sie eine Komponente in das Rack eingesetzt haben, ziehen Sie die Schienen vorsichtig in eine Verriegelungsposition heraus und schieben Sie dann die Komponente in das Rack.
- Überlasten Sie nicht den Wechselstromkreis, über den das Rack mit Strom versorgt wird. Die Gesamtlast des Racks sollte 80 Prozent der Nennbelastbarkeit des Stromkreises nicht überschreiten.
- Überprüfen Sie, ob eine ausreichende Luftzufuhr zu den Komponenten im Rack gewährleistet ist.
- Treten Sie nicht auf Komponenten oder stellen sich darauf, wenn Sie an anderen Komponenten in einem Rack Arbeiten durchführen.

Installationsanleitung

Diese Installationsanleitung enthält Anweisungen für geschulte Servicetechniker zur Montage eines oder mehrerer Systeme in einem offenen Relaisgestell oder einem Gestellschrank. Das RapidRails™ Rack-Kit lässt sich ohne Werkzeuge in allen Herstellergestellschränken mit Rechtecklöchern installieren, und das VersaRails™ Rack-Kit in den meisten Standardgestellschränken mit Rechteck- oder Rundlöchern. Die Montage der RapidRails- und VersaRails-Rack-Kits verläuft ähnlich. Für jedes im Rack installierte System wird ein Rack-Kit benötigt.

Diese Anleitung enthält eine Anleitung für folgende Rack-Kits:

- RapidRails-Kit in einem Gestellschrank mit vier Stützen
- VersaRails-Kit in einem Gestellschrank mit vier Stützen
- Zwei-Stützen-Kit (entweder für Mittenmontage oder bündige Montage in 3 oder 6 Zoll breiten Racks)

Zur leichteren Fehlersuche und Überprüfung des Systemzustands enthalten einige dieser Rack-Kits ein Statusanzeigekabel, das die Daten von den zweifarbigen vorderen und hinteren Systemstatusanzeigen zur Rückseite des Kabelführungsarms leitet. Weitere Informationen zu diesen Anzeigen finden Sie im *Benutzerhandbuch* des Systems.

Bevor Sie mit der Installation beginnen, lesen Sie dieses gesamte Dokument sorgfältig durch.

 **VORSICHT: Installieren Sie keine Rack-Kit-Komponenten, die für andere Systeme vorgesehen sind. Verwenden Sie ausschließlich das für Ihr System konzipierte Rack-Kit. Wenn Sie das Rack-Kit für ein anderes System verwenden, könnte das System beschädigt und Sie selbst oder andere Personen verletzt werden.**

Rack-Anforderungen für VersaRails


- ➡ **HINWEIS:** Das VersaRails-Rack-Kit muss von geschulten Servicetechnikern in einem Rack installiert werden, das den Spezifikationen des American National Standards Institute (ANSI)/Electronic Industries Association (EIA) Standard ANSI/EIA-310-D-92, der International Electrotechnical Commission (IEC) 297 und der Deutschen Industrie Norm (DIN) 41494 entspricht. Für jedes in einem Rack montierte System wird ein Rack-Kit benötigt.


Montage in einem Rack mit vier Stützen

Bevor Sie mit der Installation beginnen, lesen Sie diese gesamte Prozedur sorgfältig durch.

Bevor Sie beginnen


Bevor Sie mit der Installation des Systems im Rack beginnen, lesen Sie sorgfältig die Sicherheitshinweise am Anfang dieses Handbuchs sowie die zusätzlichen Sicherheitshinweise im *Produktinformationshandbuch* des Systems.

 **VORSICHT: Wenn Sie mehrere Systeme in einem Rack installieren, beenden Sie alle Prozeduren für das gerade installierte System, bevor Sie das nächste System installieren.**

 **VORSICHT: Gestellschränke können sehr schwer sein und leicht auf ihren Rollen wegrollen. Die Schränke haben keine Bremsen. Bewegen Sie das Rack nur mit größter Vorsicht. Fahren Sie die höhenverstellbaren Füße ein, bevor Sie das Rack bewegen. Vermeiden Sie lange bzw. steile Neigungen oder Rampen, auf denen Sie die Kontrolle über das Rack verlieren könnten. Fahren Sie die höhenverstellbaren Füße aus, damit das Rack abgestützt wird und nicht wegrollen kann.**

Wichtige Sicherheitshinweise

Beachten Sie beim Einbau Ihres Systems im Rack die Sicherheitsmaßnahmen in den folgenden Unterabschnitten.

 **VORSICHT: Befolgen Sie die in diesem Dokument angegebene Vorgehensweise genau, um sich selbst und Ihre Mitarbeiter nicht zu gefährden. Ihr System kann sehr groß und schwer sein. Sie sollten die Installation sorgfältig vorbereiten und planen, um Verletzungen zu vermeiden. Dies gilt besonders, wenn Systeme weiter oben im Rack installiert werden.**

Rack-Stabilisatoren

 **VORSICHT: Werden Systeme in einem Rack installiert, an dem die vorderen und seitlichen Stabilisatoren fehlen, kann das Rack umkippen, was unter Umständen schwere Verletzungen nach sich ziehen kann. Befestigen Sie daher immer zuerst die Stabilisatoren, bevor Sie Komponenten im Rack installieren.**

 **VORSICHT: Wenn Sie Systeme in einem Rack installiert haben, ziehen Sie niemals mehr als ein System gleichzeitig auf den Gleitschienen aus dem Rack. Durch das Gewicht von mehr als einem herausgezogenen System kann das Rack umkippen, was Verletzungen hervorrufen kann.**

Die Stabilisatoren verhindern, dass das Rack umkippt, wenn ein System oder eine andere Komponente auf den Gleitschienen vollständig aus dem Rack gezogen wird. Eine Anleitung zur Montage und Verankerung der Stabilisatoren finden Sie in der Dokumentation des Racks.

Empfohlene Werkzeuge und Zubehör

Für die Installation des Systems in einem Rack mit vier Stützen benötigen Sie eventuell folgende Werkzeuge und Zubehörteile:

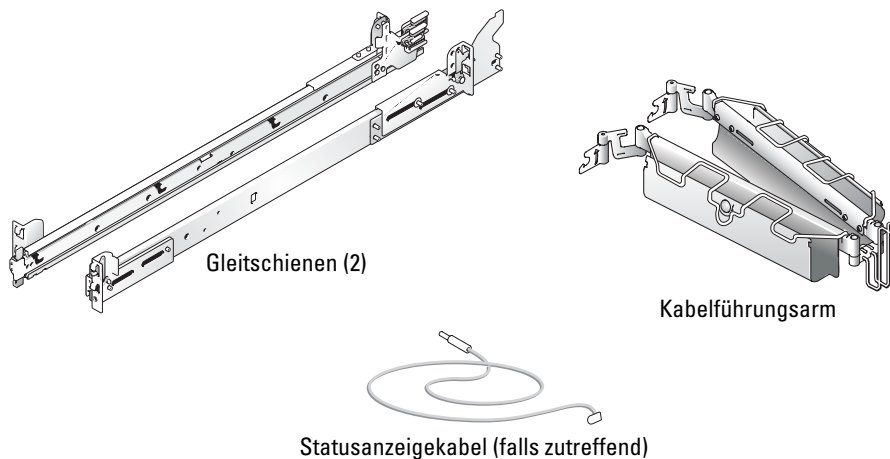
- Einen Kreuzschlitz-Schraubendreher Nr. 2 (für die Befestigung der VersaRails-Gleitschienen)
- Kreppband oder einen Filzstift zur Markierung der verwendeten Montagelöcher

Inhalt des RapidRails-Rack-Kits

Das RapidRails-Rack-Kit enthält folgende Teile (siehe Abbildung 3-1):

- Ein Paar RapidRails-Gleitschienen
- Ein Kabelführungsarm
- Ein Statusanzeigekabel (falls zutreffend)
- Kabelbinder (in Abbildung 3-1 nicht dargestellt)

Abbildung 3-1. Inhalt des RapidRails-Rack-Kits



Inhalt des VersaRails-Rack-Kits

Das VersaRails-Rack-Kit enthält folgende Teile (siehe Abbildung 3-2):

- Ein Paar VersaRails-Gleitschienen
- Ein Kabelführungsarm
- Ein Statusanzeigekabel (falls zutreffend)
- Acht 10-32 x 0,5-Zoll Kreuzschlitz-Bundschrauben
- Kabelbinder (in Abbildung 3-2 nicht dargestellt)


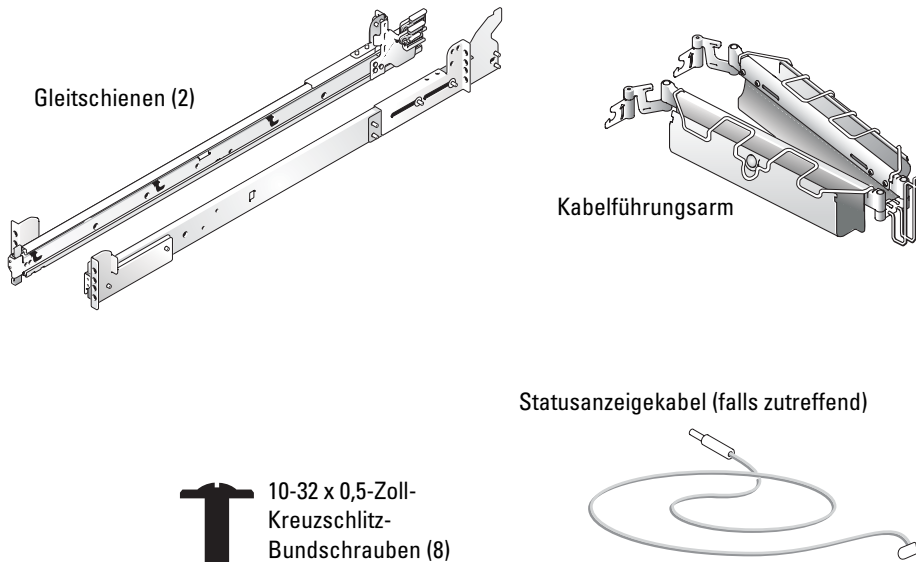
 **ANMERKUNG:** Die in den Abbildungen und Prozeduren genannten nichtmetrischen Schrauben werden nach ihrer Größe und der Anzahl der Windungen pro Zoll bezeichnet. So wird z. B. eine Kreuzschlitzschraube Nr. 10 mit 32 Windungen pro Zoll als 10-32-Schraube bezeichnet.

Abbildung 3-2. Inhalt des VersaRails-Rack-Kits



Ablauf der Installation

Bei der Montage eines Rack-Kits sind die Arbeitsschritte in folgender Reihenfolge auszuführen:

- 1 Abnehmen der Rack-Türen
- 2 Markieren des Racks (falls notwendig)
- 3 Installation der Gleitschienen im Rack:
 - Einbau der RapidRails
 - Einbau der VersaRails
- 4 Einbau des Systems im Rack
- 5 Einbau des Kabelführungsarms
- 6 Verlegen der Kabel
- 7 Wiederanbringen der Rack-Türen

Abnehmen der Rack-Türen

Siehe Vorgehensweise zum Entfernen der Türen in der Dokumentation Ihres Racks.

⚠ VORSICHT: Wegen der Größe und des Gewichts der Rack-Türen sollten Sie keinesfalls versuchen, sie alleine abzunehmen oder einzubauen.

⚠ VORSICHT: Verstauen Sie die Türen so, dass niemand verletzt wird, falls sie versehentlich umfallen.

Markieren des Racks

Zwischen den einzelnen Systemen, die Sie im Rack installieren, müssen Sie einen vertikalen Abstand von jeweils 2 U (88 mm bzw. 3,5 Zoll) lassen. Gestellschränke, die den EIA-310-Standards entsprechen, haben ein sich wiederholendes Muster aus drei Löchern pro Rack-Einheit, deren Mittenabstand zueinander (beginnend mit dem oberen Loch einer 1-U-Einheit) 15,9 mm, 15,9 mm und 12,7 mm (0,625, 0,625 und 0,5 Zoll) an den vorderen und hinteren vertikalen Schienen beträgt (siehe Abbildung 3-3). Die Racks haben meist runde oder rechteckige Löcher.


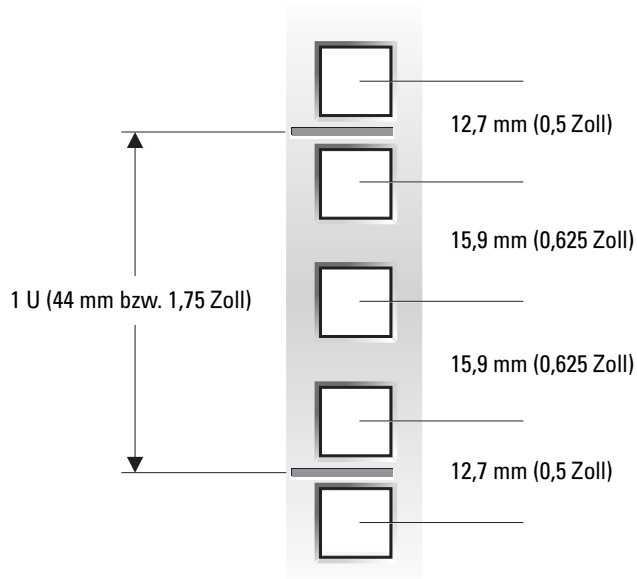
 **ANMERKUNG:** Die vertikalen Schienen sind eventuell in Abständen von 1 U mit horizontalen Linien und Zahlen markiert. Am besten notieren Sie sich die Nummer der Markierung auf der vertikalen Schiene. So brauchen Sie keine zusätzlichen Markierungen oder Kreppband am Rack anzubringen. Wenn Sie nach dieser Methode vorgehen, lesen Sie unter „Einbau der RapidRails-Gleitschienen“ weiter.

Abbildung 3-3. Eine Rack-Einheit



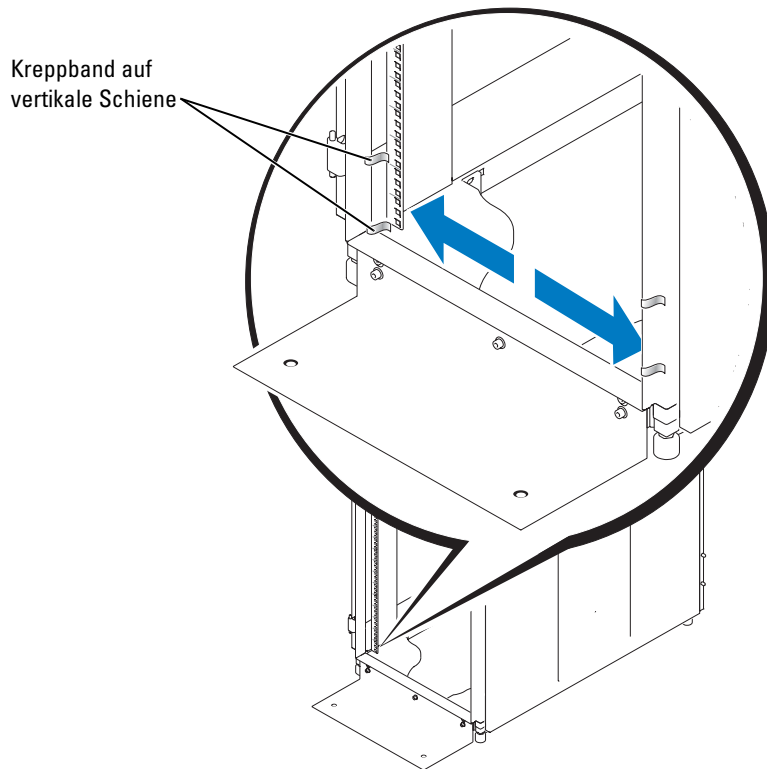
 **VORSICHT:** Wenn Sie mehr als ein System installieren, montieren Sie die Gleitschienen so, dass das erste System in die unterste mögliche Position im Rack zu liegen kommt.

Zum Markieren des Racks gehen Sie wie folgt vor:

- 1 Bringen Sie auf den vorderen vertikalen Schienen des Racks eine Markierung an der Stelle an, an der sich die Unterseite des Systems befinden soll, das Sie in das Rack einbauen möchten.
Die Unterkante jeder 1-U-Einheit befindet sich in der Mitte des schmalsten Metallstücks zwischen den Löchern (bei einigen Racks mit einer horizontalen Linie gekennzeichnet, siehe Abbildung 3-4).

- 2 Bringen Sie 88 mm (3,5 Zoll) über Ihrer ersten Markierung eine weitere Markierung an (oder zählen Sie in einem Rack nach EIA-310-Standard sechs Löcher nach oben). Markieren Sie die vorderen vertikalen Schienen des Racks mit einem Filzstift oder einem Stück Kreppband. Falls Sie die Löcher gezählt haben, bringen Sie direkt über dem obersten Loch eine Markierung an. Die Markierung bzw. das Kreppband zeigt die spätere Position der Oberkante des Systems an den vertikalen Schienen (siehe Abbildung 3-4).

Abbildung 3-4. Markieren der vertikalen Schienen



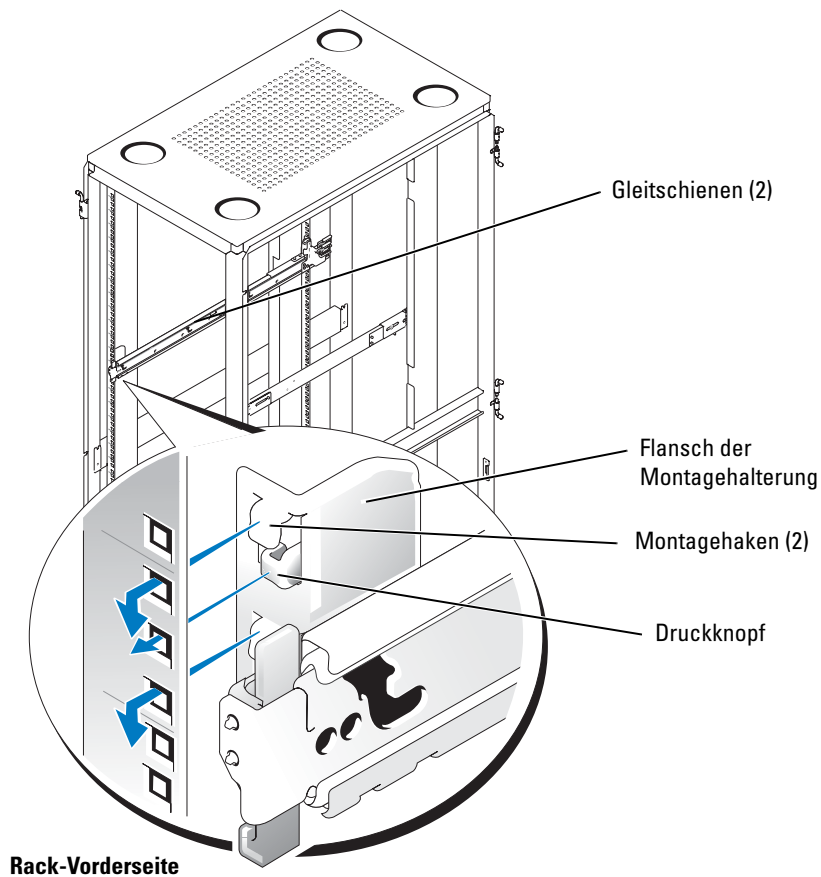
Einbau der RapidRails-Gleitschienen

- 1 Setzen Sie eine der RapidRails-Gleitschienen so an der Vorderseite des Gestellschranks an, dass der Montagehalterungsflansch zwischen den Markierungen bzw. dem Kreppband am Rack zu liegen kommt (siehe Abbildung 3-5).

Der obere Montagehaken auf dem vorderen Montagehalterungsflansch der Gleitschiene sollte in das obere Loch zwischen Ihren Markierungen auf den vertikalen Schienen eingreifen.

- 2 Drücken Sie die Gleitschiene nach vorn, bis der obere Montagehaken in das markierte obere rechteckige Loch eingreift. Drücken Sie dann den Montagehalterungsflansch nach unten, bis die Montagehaken in die rechteckigen Löcher eingerastet sind und der blaue Druckknopf mit einem Klicken herauspringt (siehe Abbildung 3-5).

Abbildung 3-5. Einbau der RapidRails-Gleitschienen



- 3 Ziehen Sie an der Rückseite des Gestellschranks den Flansch der Montagehalterung nach hinten, bis der obere Montagehaken an dem zugehörigen Loch positioniert ist. Drücken Sie dann den Montagehalterungsflansch nach unten, bis die Montagehaken in die rechteckigen Löcher einrasten, der Druckknopf herauspringt und ein Klicken zu hören ist.
- 4 Wiederholen Sie Schritt 1 bis 3 für die Gleitschienen auf der anderen Seite des Racks.



ANMERKUNG: Achten Sie darauf, die Schienen auf beiden Rack-Seiten in der gleichen Höhe auf den vertikalen Schienen anzubringen.

Einbau der VersaRails-Gleitschienen

- 1 Setzen Sie eine der VersaRails-Gleitschienen so an der Vorderseite des Gestellschranks an, dass der zugehörige Montagehalterungsflansch zwischen den Markierungen bzw. den Kreppbändern (oder an der Markierung mit der richtigen Zahl) am Rack zu liegen kommt (siehe Abbildung 3-6).

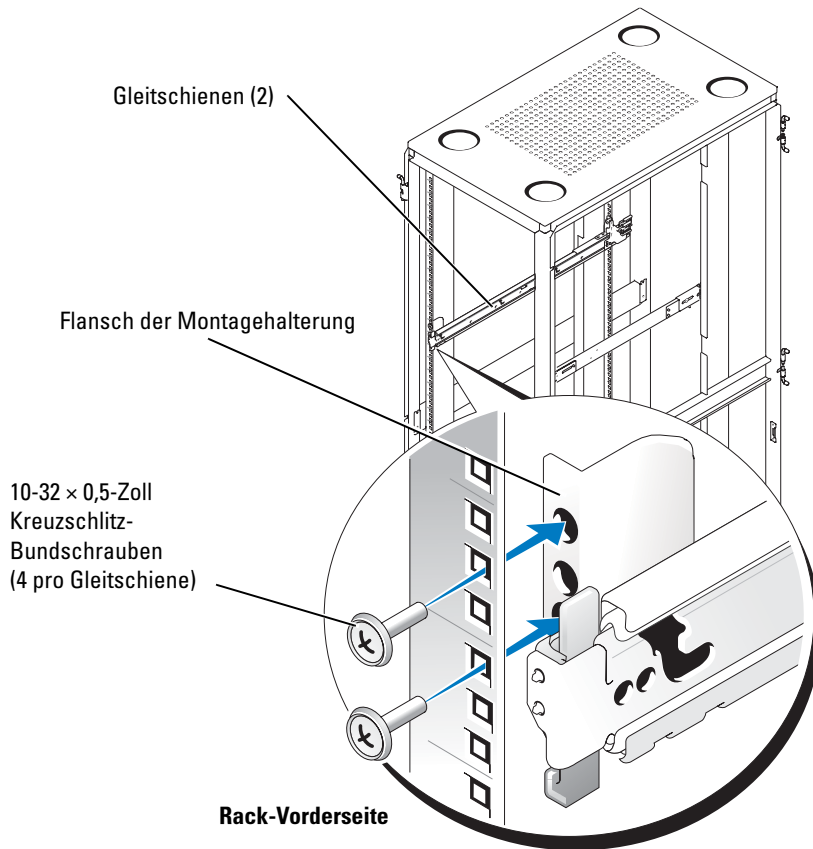
Die vier Löcher an der Vorderseite der Montagehalterung sollten mit vier Löchern zwischen Ihren Markierungen an der vorderen vertikalen Schiene übereinstimmen.

- 2 Befestigen Sie die Gleitschiene durch je eine 10-32 × 0,5 Zoll (1,27 cm) Kreuzschlitz-Bundschaube im oberen und dritten Loch des Montageflanschs an der vorderen vertikalen Schiene (siehe Abbildung 3-6).
- 3 Ziehen Sie den Montagehalterungsflansch auf der Rack-Rückseite nach hinten, bis seine Montagelöcher mit den rechteckigen Löchern auf der hinteren vertikalen Schiene übereinstimmen.
- 4 Befestigen Sie die Gleitschiene durch je eine 10-32 x 0,5 Zoll (1,27 cm) Kreuzschlitz-Bundschaube im oberen und im dritten Loch von oben des Montageflanschs an der hinteren vertikalen Schiene.
- 5 Wiederholen Sie Schritt 1 bis 4 für die Gleitschienen auf der anderen Seite des Racks.



ANMERKUNG: Achten Sie darauf, die Schienen auf beiden Rack-Seiten in der gleichen Höhe auf den vertikalen Schienen anzubringen.

Abbildung 3-6. Einbau der VersaRails-Gleitschienen

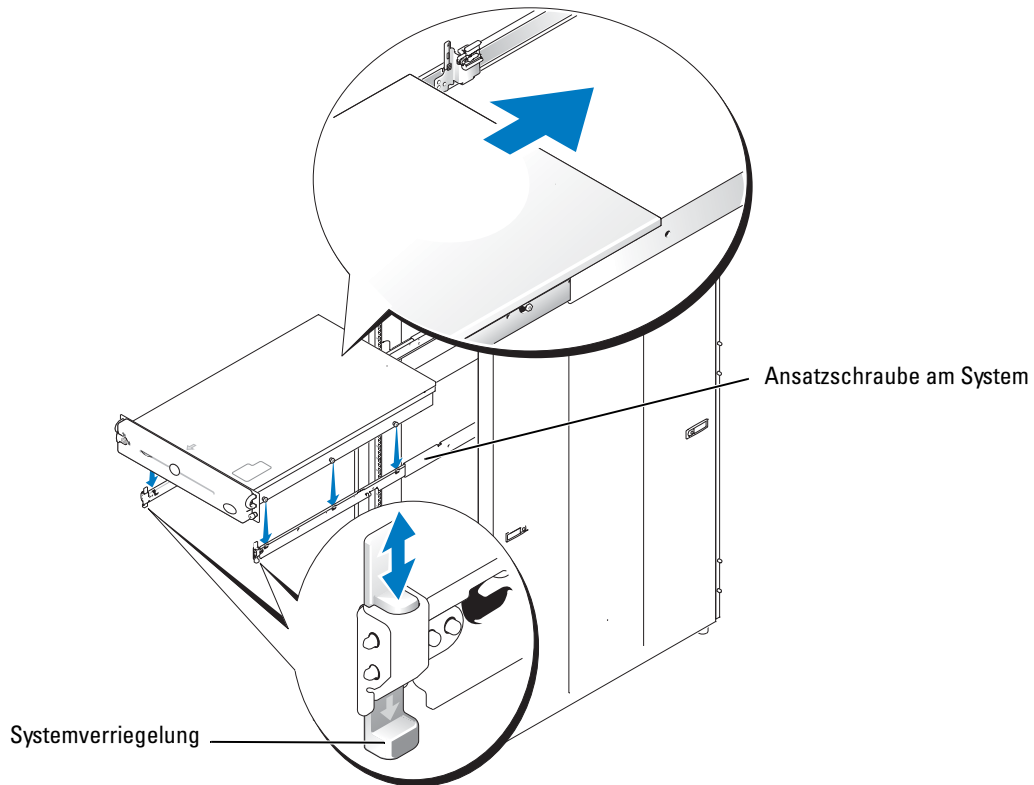


Installieren des Systems im Rack

- ⚠ VORSICHT:** Wenn Sie mehr als ein System installieren, installieren Sie das erste System in der untersten möglichen Position im Rack.
- ⚠ VORSICHT:** Ziehen Sie niemals mehr als eine Komponente gleichzeitig aus dem Rack heraus.
 - 1 Ziehen Sie die beiden Gleitschienen aus dem Rack, bis sie in der vollständig ausgezogenen Position einrasten.
- ⚠ VORSICHT:** Das System ist sehr groß und schwer und darf daher niemals durch nur eine einzelne Person in den Gleitschienen montiert werden.
 - 2 Heben Sie das System vor die herausgezogenen Gleitschienen in Position (siehe Abbildung 3-7).
 - 3 Fassen Sie das System mit der einen Hand unter der System-Vorderseite und mit der anderen Hand auf der System-Rückseite an.

- 4 Kippen Sie die Rückseite des Systems nach unten, und bringen Sie die hinteren Ansatzschrauben auf den Seiten des Systems mit den hinteren Schlitzen der Gleitschienen in Übereinstimmung.
- 5 Setzen Sie die hinteren Ansatzschrauben in ihre jeweiligen Einbaupositionen ein.

Abbildung 3-7. Installation des Systems im Rack (RapidRails oder VersaRails)



- 6 Senken Sie die Systemvorderseite ab und führen Sie die vorderen und mittleren Ansatzschrauben in ihre Einbaupositionen ein (die mittlere Position befindet sich genau hinter der gelben Sperrklinke).
Wenn alle Ansatzschrauben korrekt sitzen, rastet der Systemverriegelungsmechanismus an der Vorderseite der beiden Gleitschienen ein. Damit ist das System in den Schienen gesichert.
- 7 Drücken Sie die Sperrklinken an den Seiten der Gleitschienen nach oben, um das System vollständig ins Rack zu schieben.
- 8 Schrauben Sie das System mit den Rändelschrauben an der Gehäuse-Frontplatte des Racks fest.

ANMERKUNG: Um das System aus den Gleitschienen zu entfernen, drücken Sie die Freigabetasten des Verriegelungsmechanismus nach unten, und ziehen Sie dann das System nach vorn.

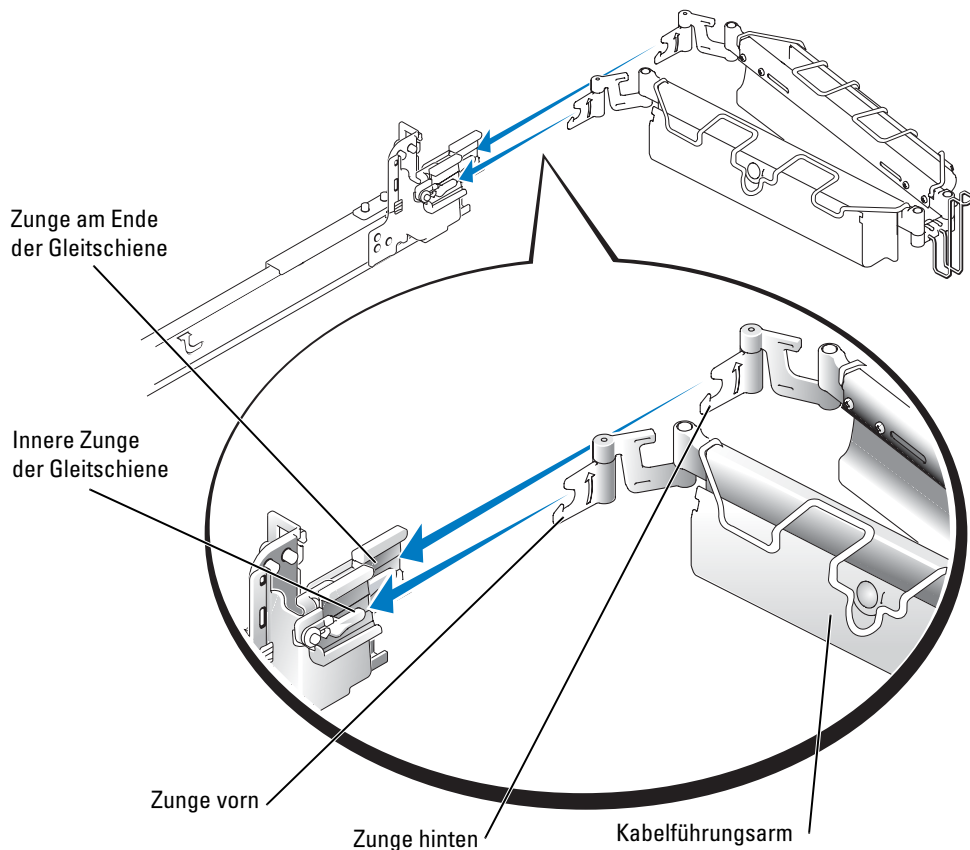
Einbau des Kabelführungsarms

➔ **HINWEIS:** Der Kabelführungsarm kann nur an der rechten Seite des Gestellschranks (von hinten gesehen) befestigt werden.

Um den Kabelführungsarm am System zu befestigen, gehen Sie wie folgt vor:

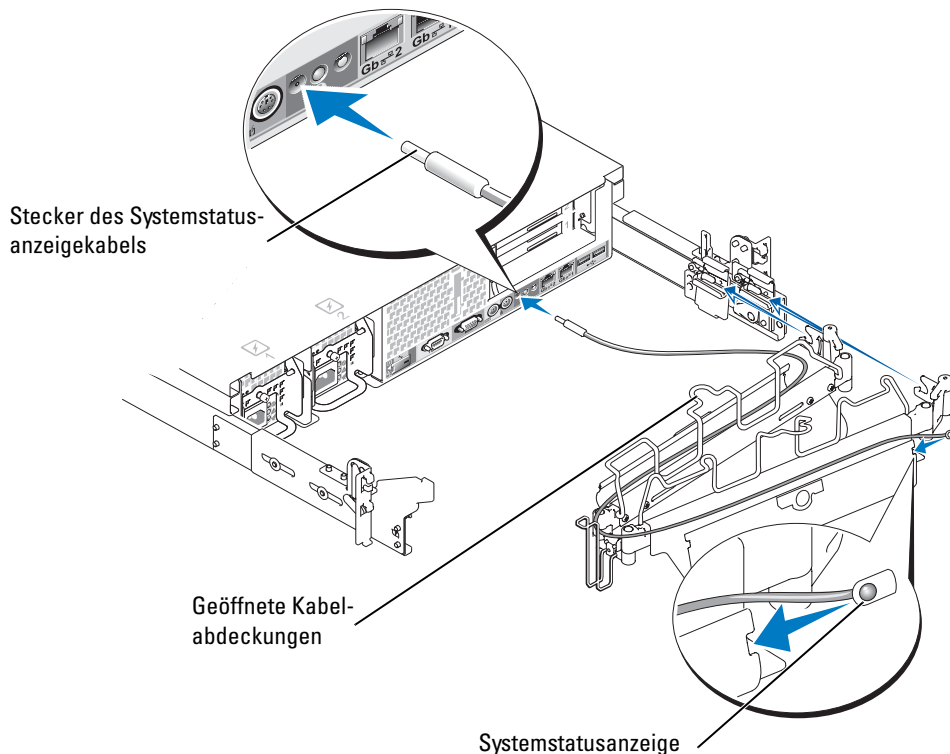
- 1 Stellen Sie sich hinter den Gestellschrank, und suchen Sie die Klinke am Ende der Gleitschiene.
- 2 Drücken Sie die Zunge am hinteren Ende des Kabelführungsarms in die Verriegelung am Ende der Gleitschiene (siehe Abbildung 3-8).
Der Riegel rastet mit einem Klicken ein.
- 3 Drücken Sie die Zunge am vorderen Ende des Kabelführungsarms in den entsprechenden Riegel im inneren Teil der Gleitschiene (siehe Abbildung 3-8).
Der Riegel rastet mit einem Klicken ein.

Abbildung 3-8. Einbau des Kabelführungsarms



- 4 Verbinden Sie gegebenenfalls den Kabelstecker der Systemstatusanzeige mit dem zugehörigen Anschluss (siehe Abbildung 3-9).
 - 5 Öffnen Sie die Kabelabdeckungen des Kabelführungsarms, indem Sie die Mitte des Kabels über den gewölbten runden Knopf an der Vorderseite des vorderen Teils des Kabelführungsarms und dann über den ähnlichen Knopf auf der Rückseite des Kabelführungsarms heben.
- Die Kabelabdeckung öffnet sich, und die Kabel können innerhalb des Arms verlegt werden.
- 6 Führen Sie das Kabelende der Systemstatusanzeige durch den Kabelführungsarm und installieren Sie die Anzeige im dafür vorgesehenen Steckplatz am hinteren Ende des Kabelführungsarms (siehe Abbildung 3-9).

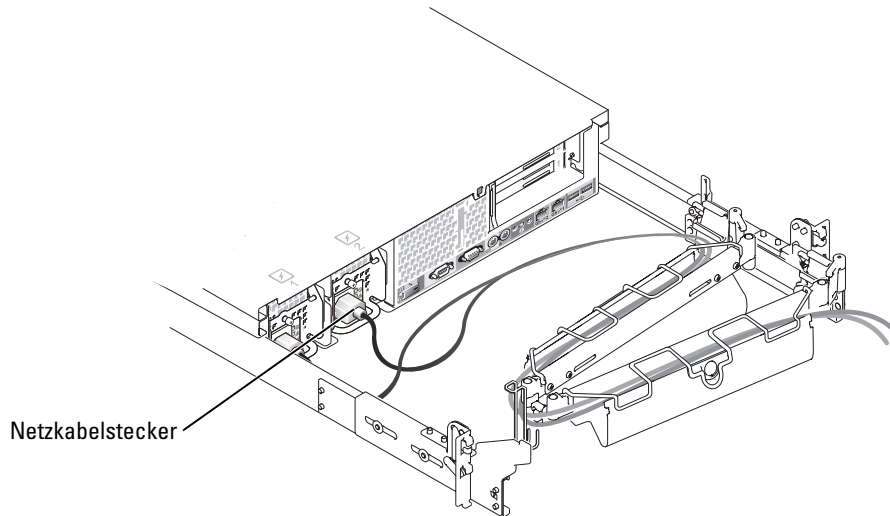
Abbildung 3-9. Einbau des Kabelführungsarms



- 7 Verbinden Sie die Netzkabel mit den entsprechenden Anschlüssen an der rückseitigen Abdeckung (siehe Abbildung 3-10).

ANMERKUNG: Verwenden Sie die Zugentlastungsschlaufen (falls vorhanden) auf der Rückseite der Netzteile, um die Stromversorgungskabel zu entlasten.

Abbildung 3-10. Verlegen der Netzkabel



⚠ VORSICHT: Lassen Sie die Kabel leicht durchhängen, wenn Sie sie um die Scharniere des Kabelführungsarms führen.

- 8** Schließen Sie die E/A-Kabelstecker an die entsprechenden Anschlüsse auf der Rückseite des Systems an.

Näheres zu Kabelsteckern finden Sie in der *Anleitung zur Installation und Fehlersuche* und im *Benutzerhandbuch*.

- 9** Führen Sie das Netz- und E/A-Kabel durch den Kabelführungsarm. Befestigen Sie sie locker mit vier Kabelbindern (zwei in der Mitte und jeweils einer am Ende des Kabelführungsarms). Ziehen Sie die Kabelbinder jetzt noch nicht vollständig fest (siehe Abbildung 3-11).

Lassen Sie die Kabel im Kabelführungsarm leicht durchhängen, um Beschädigungen an den Kabeln zu verhindern.

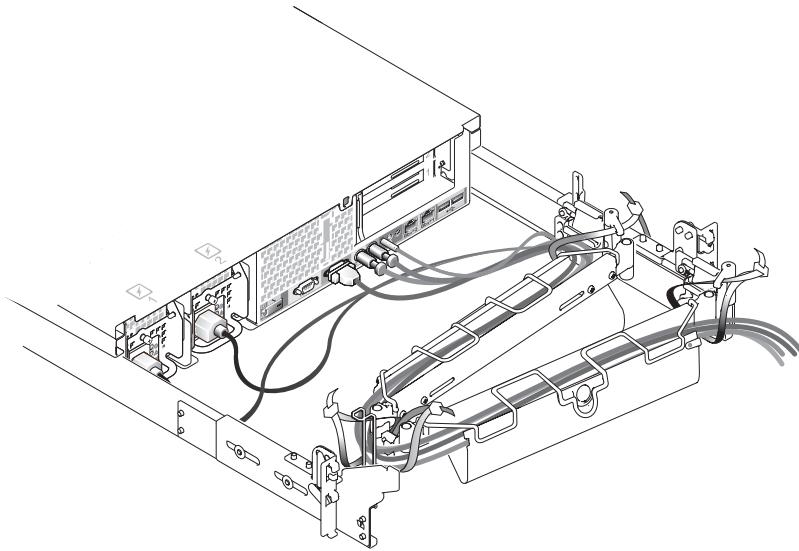
- 10** Befestigen der Kabel am Kabelführungsarm:

- a** Wenn Sie die Kabel am System angeschlossen haben, lösen Sie die Rändelschrauben zwischen der System-Vorderseite und der vorderen vertikalen Schiene.
- b** Ziehen Sie das System in die vollständig ausgezogene Position heraus.
- c** Verlegen Sie die Kabel auf dem Führungsarm und sorgen Sie für ausreichend Kabelzuschlag an den Scharnieren. Befestigen Sie die Kabel mit den Kabelbindern am Führungsarm und schließen Sie die Abdeckungen über dem Führungsarm.

✍ ANMERKUNG: Wenn Sie das System vollständig herausziehen, werden die Gleitschienen in der ausgezogenen Position verriegelt. Um das System in das Rack zurückzuschieben, drücken Sie auf die Sperrklinke an der Seite der Gleitschiene und schieben Sie das System dann vollständig in das Rack.

- 11 Bewegen Sie das System im Rack vor und zurück, um zu überprüfen, ob die Kabel korrekt verlegt sind und bei Bewegung des Kabelführungsarms nicht eingeklemmt, gedehnt oder gequetscht werden.
- 12 Ziehen Sie die Kabelbinder gerade so fest an, dass der Kabelzuschlag weder zu groß noch zu klein ist, die Kabel aber trotzdem an Ort und Stelle bleiben, wenn das System in das Rack eingesetzt bzw. herausgezogen wird.

Abbildung 3-11. Verlegen der Kabel



Wiederanbringen der Rack-Türen

Siehe Vorgehensweise zum Einsetzen der Türen in der Dokumentation Ihres Racks.

⚠ VORSICHT: Wegen der Größe und des Gewichts der Rack-Türen sollten Sie keinesfalls versuchen, sie alleine abzunehmen oder einzubauen.

Damit ist die Rack-Montage Ihres Systems in einem Gestellschrank mit vier Stützen abgeschlossen.

Montage in einem Zwei-Stützen-Rack

Das Zwei-Stützen-Rack-Kit wird für die Montage eines Systems in einem offenen Relaisgestell mit zwei Stützen verwendet, wie man es zum Beispiel bei Telekommunikationsanlagen findet. Es können sowohl 3 Zoll als auch 6 Zoll breite Racks mit zwei Stützen und universellem Lochabstand oder weitem Lochabstand installiert werden. Sie können dieses Kit entweder für die Mittenmontage oder für die bündige Montage verwenden. Das Kit für zwei Stützen enthält Gleitschienen, mit denen das System zur Wartung aus dem Rack gezogen werden kann.

Sie müssen das offene Relaisgestell mit zwei Stützen ordnungsgemäß am Boden, der Decke oder oben an der Wand und soweit möglich an benachbarten Gestellschränken befestigen. Verwenden Sie hierzu Boden- und Wandbefestigungen sowie Stützen, die vom Rack-Hersteller oder durch Industriestandards spezifiziert oder zugelassen sind. Bevor Sie mit der Installation beginnen, lesen Sie bitte die Vorsichtsmaßnahmen in der Installationsanleitung des Herstellers des offenen Relaisgestells mit zwei Stützen.



VORSICHT: Montieren Sie niemals Systeme in einem offenen Relaisgestell mit zwei Stützen, das nicht sicher verankert ist. Andernfalls kann das System beschädigt oder Sie bzw. andere Personen verletzt werden.

Weitere Sicherheitshinweise zur Rack-Montage erhalten Sie im entsprechenden Abschnitt am Anfang dieses Handbuchs.

Montage eines Racks mit zwei Stützen

Bei der Installation eines Rack-Kits mit zwei Stützen sind die folgenden Arbeitsschritte in der nummerierten Reihenfolge auszuführen:

- 1 Markieren des Racks (falls notwendig)
- 2 Installation der Gleitschienen im Rack:
 - Befestigung in Mittenmontage
 - Befestigung in bündiger Montage
- 3 Einbau des Systems im Rack
- 4 Einbau des Kabelführungsarms
- 5 Verlegen der Kabel

Empfohlene Werkzeuge und Zubehör

Sie benötigen folgende Werkzeuge und Zubehörteile zur Installation des Systems in einem offenen Relaisgestell mit zwei Stützen:

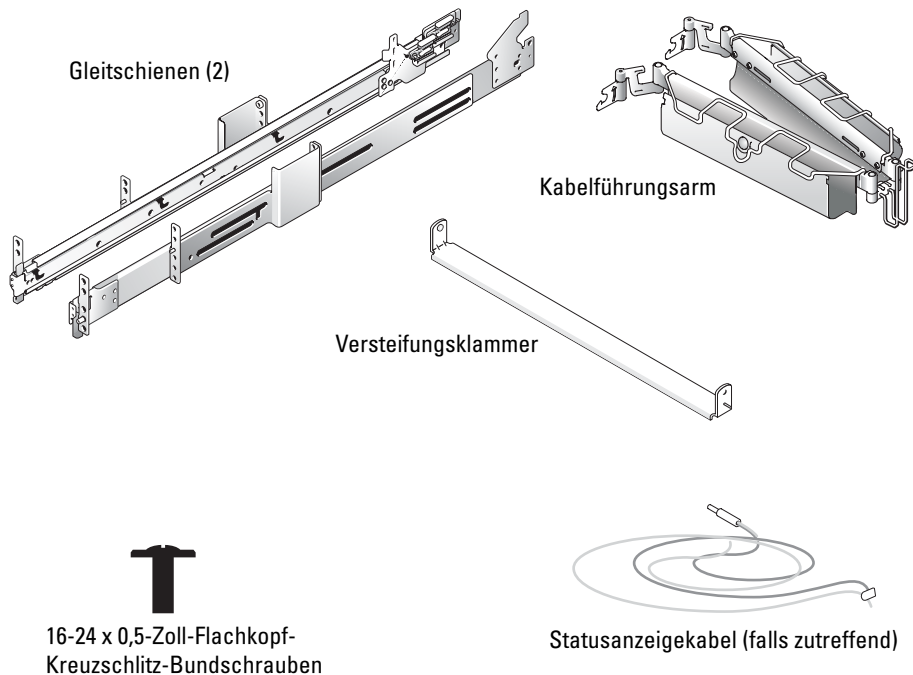
- Kreuzschlitz-Schraubendreher Nr. 2
- 11/32-Zoll Schraubenschlüssel oder Steckschlüssel (bei Wechsel zur bündigen Montage)
- Kreppband oder Filzstift zur Markierung der korrekten Montagelöcher

Inhalt des Rack-Kits

Das Rack-Kit mit zwei Stützen enthält folgende Teile (siehe Abbildung 3-12):

- Ein Paar Gleitschienen (zwei Stützen)
- Eine Versteifungsklammer
- Ein Kabelführungsarm
- Ein Statusanzeigekabel (falls zutreffend)
- Sechzehn 12-24 x 0,5-Zoll Flachkopf-Kreuzschlitzschrauben
- Kabelbinder (in Abbildung 3-12 nicht dargestellt)

Abbildung 3-12. Komponenten des Rack-Kits mit zwei Stützen



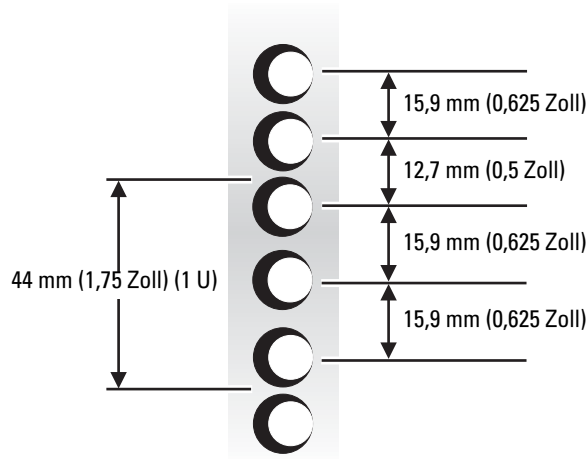
Markieren des Racks

Jedes System in einem zweistützigen Rack benötigt 2 Einheiten (U = 88 mm bzw. 3,5 Zoll) vertikalen Abstand.

Racks mit universellem Lochabstand

Standard-Racks mit zwei Stützen und universellem Lochabstand haben ein sich wiederholendes Muster aus drei Löchern pro Einheit, deren Mittenabstand (beginnend in der Mitte des oberen Lochs einer 1-U-Einheit) 15,9 mm, 15,9 mm und 12,7 mm (0,625 Zoll, 0,625 Zoll und 0,5 Zoll) für die vordere und hintere vertikale Lochreihe beträgt (siehe Abbildung 3-13).

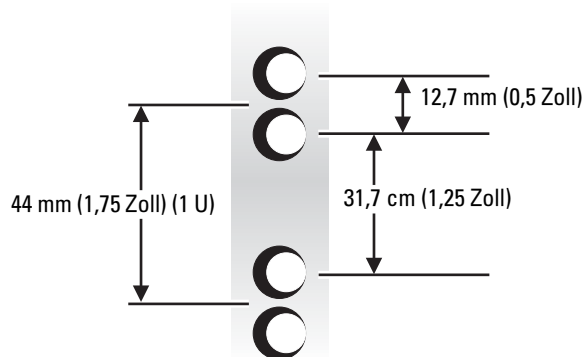
Abbildung 3-13. Universeller Lochabstand beim offenen Relaisgestell mit zwei Stützen



Racks mit weitem Lochabstand

Einige Racks mit zwei Stützen und weitem Lochabstand haben ein sich wiederholendes Muster aus zwei Löchern pro Einheit, deren Mittenabstand (beginnend mit dem oberen Loch einer 1-U-Einheit) 31,7 mm und 12,7 mm (1,25 und 0,5 Zoll) für die vordere und hintere vertikale Lochreihe beträgt (siehe Abbildung 3-14).

Abbildung 3-14. Weiter Lochabstand beim offenen Relaisgestell mit zwei Stützen



Zum Markieren des Racks gehen Sie wie folgt vor:

- 1 Bringen Sie auf den vorderen vertikalen Schienen des Racks eine Markierung an der Stelle an, an der sich die Unterseite des Systems befinden soll, das Sie in das Rack mit zwei Stützen einbauen.

Die Unterkante jeder 1-U-Einheit befindet sich in der Mitte des schmalsten Metallstücks zwischen den Löchern.



ANMERKUNG: Wenn Ihr Rack einen weiten Lochabstand hat, gehen Sie zu Schritt 3.

- 2 Setzen Sie eine Markierung 88 mm (3,5 Zoll) über Ihre erste Markierung (oder zählen Sie in einem Rack mit universellem Lochabstand sechs Löcher nach oben; siehe Abbildung 3-13).

Jede vertikale 1-U-Einheit (44 mm oder 1,75 Zoll) in einem Rack mit universellem Lochabstand verfügt über drei Löcher, deren Mittenabstand zueinander (beginnend mit dem oberen Loch einer 1-U-Einheit) 0,625, 0,625 und 0,5 Zoll beträgt (siehe Abbildung 3-13).



ANMERKUNG: Wenn Ihr Rack einen universellen Lochabstand hat, ist das Markieren des Racks damit abgeschlossen.

- 3 Setzen Sie eine Markierung 88 mm (3,5 Zoll) über Ihre erste Markierung (oder zählen Sie in einem Rack mit weitem Lochabstand bis zum vierten Loch nach oben; siehe Abbildung 3-14).

Jede vertikale 1-U-Einheit (44 mm oder 1,75 Zoll) in einem Rack mit weitem Lochabstand hat zwei Löcher, deren Mittenabstand zueinander (beginnend mit dem oberen Loch einer 1-U-Einheit) 31,7 mm (1,25 Zoll) beträgt (siehe Abbildung 3-14).

Einbau der Gleitschienen im Rack

Sie können die Gleitschienen in einem offen Rack mit zwei Stützen entweder mit universellem Lochabstand (siehe Abbildung 3-13) oder mit weitem Lochabstand (siehe Abbildung 3-14) installieren. Sie können die 2-U Gleitschienen entweder mit bündiger Montage oder mit Mittenmontage einbauen.



VORSICHT: Versuchen Sie nicht, mit diesem Rack-Kit andere Systeme zu installieren. Verwenden Sie ausschließlich das für Ihr System konzipierte Rack-Kit. Wenn Sie das Rack-Kit für ein anderes System verwenden, könnte das System beschädigt und Sie selbst oder andere Personen verletzt werden.

Mittenmontage

Im Lieferumfang des Zwei-Stützen-Rack-Kits sind Haltungen für eine Mittenmontage enthalten. Um die Montage abzuschließen, führen Sie folgende Schritte aus:

- 1 Drücken Sie die hintere Halterung der rechten Gleitschiene nach hinten (siehe Abbildung 3-16).
- 2 Setzen Sie die rechte Gleitschiene in die markierte Position am Rack mit zwei Stützen, drücken Sie die hintere Halterung nach vorne in Richtung auf das vertikale Rack mit zwei Stützen, befestigen Sie die vordere Halterung für die Mittenmontage mit zwei 12-24 × 0,5-Zoll Flachkopf-Kreuzschlitzschrauben und befestigen Sie die hintere Halterung für die Mittenmontage mit drei 12-24 × 0,5-Zoll Flachkopf-Kreuzschlitzschrauben (siehe Abbildung 3-16).
- 3 Wiederholen Sie Schritt 1 und 2 für die Montage der linken Gleitschiene im Rack.
- 4 Bauen Sie die Versteifungsklammer an der Rückseite der Gleitschienen ein, und sichern Sie die Klammer mit je einer 12-24 × 0,5-Zoll Flachkopf-Kreuzschlitzschraube an den Gleitschienen (siehe Abbildung 3-16).

Abbildung 3-15. Klammern für Mittenmontage

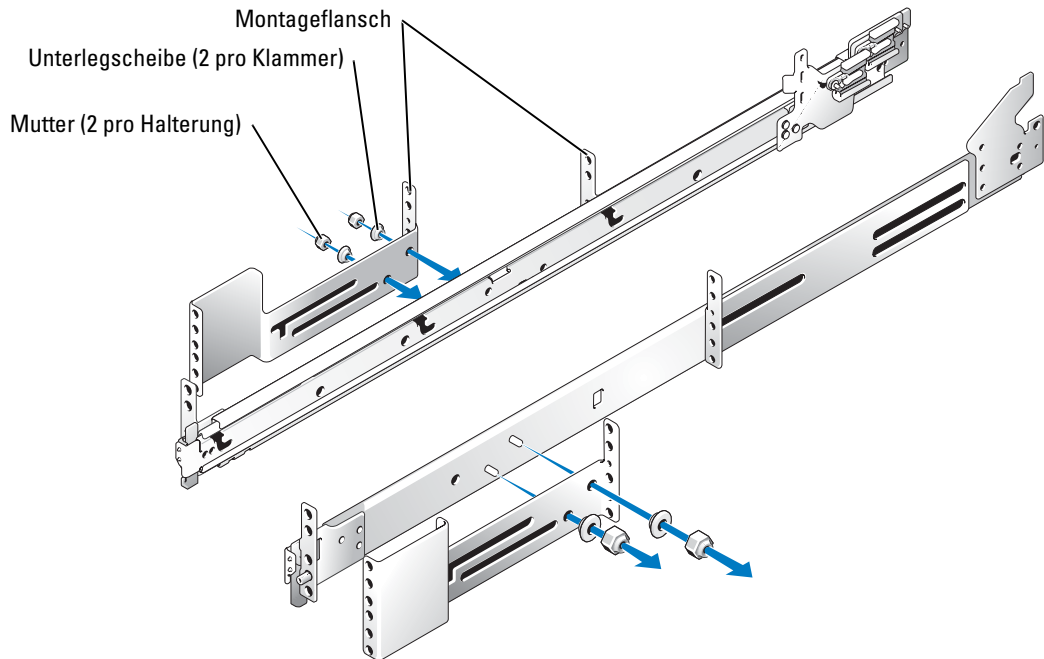
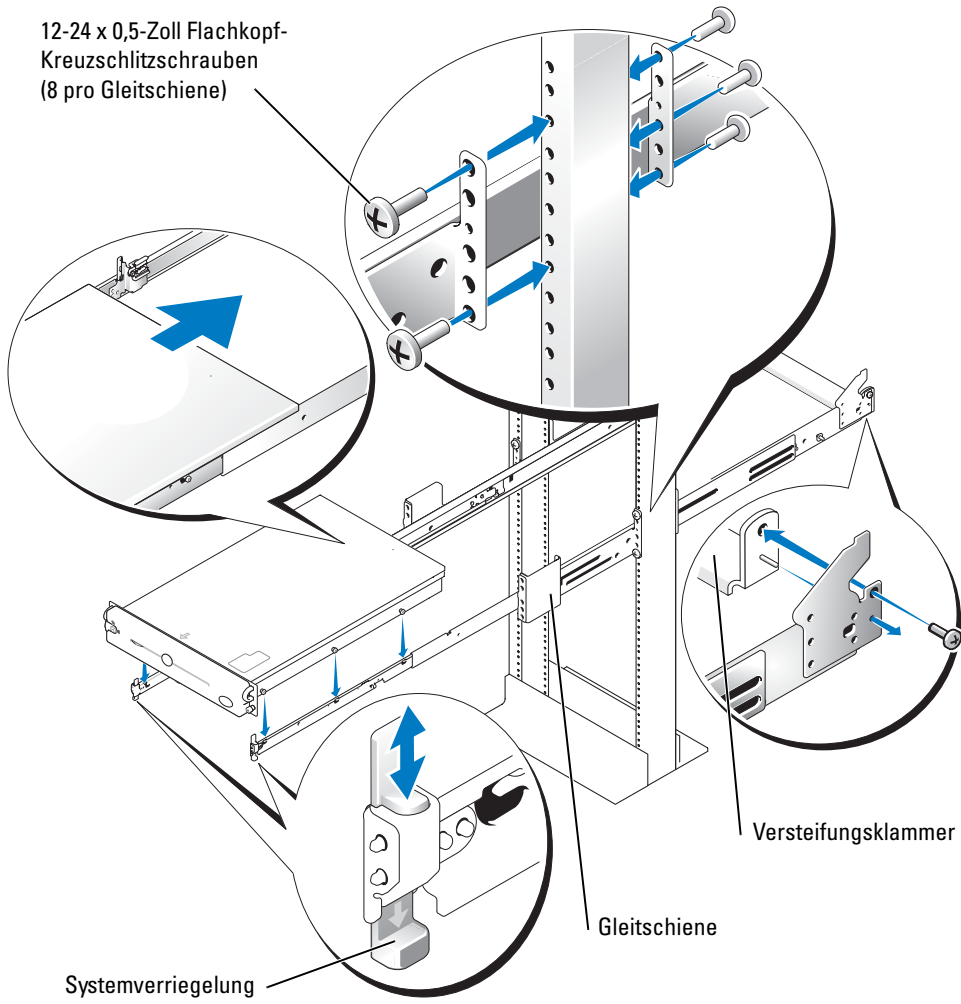


Abbildung 3-16. Einbau der Gleitschienen für die Mittenmontage



Befestigung in bündiger Montage

Im Lieferumfang des Zwei-Stützen-Rack-Kits sind Haltungen für eine Mittenmontage enthalten. Zur Vorbereitung der Gleitschienen für die bündige Montage im Rack mit zwei Stützen führen Sie folgende Schritte aus:

- 1** Legen Sie die beiden Gleitschienen nebeneinander auf eine glatte Arbeitsoberfläche, wobei die vorderen Enden der Gleitschienen zu Ihnen zeigen. Setzen Sie die beiden Gleitschienen so an, dass die Halterungen für die Mittenmontage nach oben zeigen (siehe Abbildung 3-17).

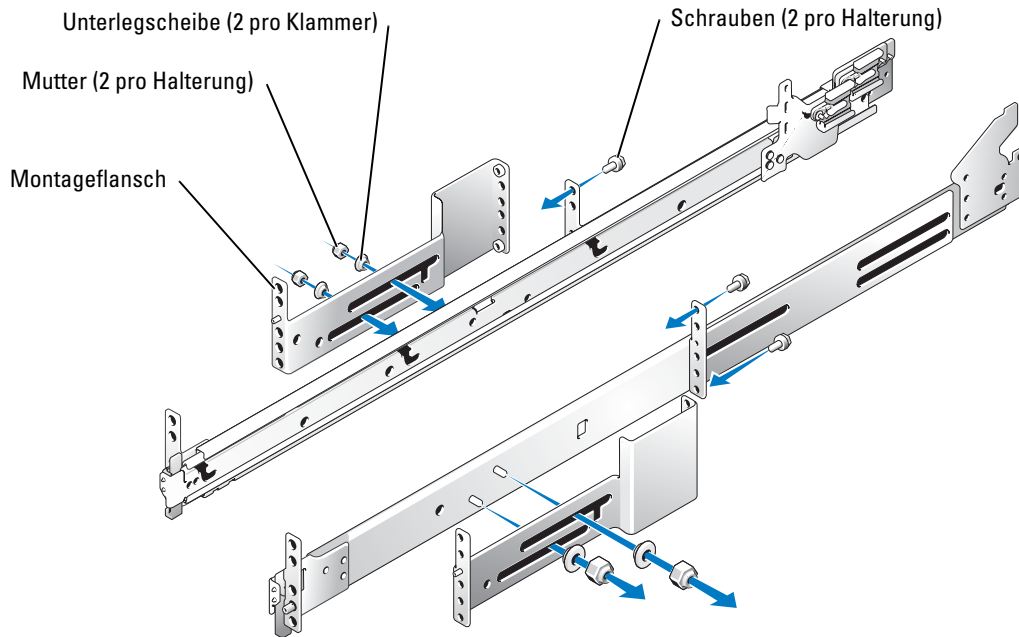


ANMERKUNG: Zur Vorbereitung der Gleitschienen für die bündige Montage entfernen Sie die vordere Montagehalterung, drehen diese um 180 Grad und montieren sie an der gegenüberliegenden Gleitschiene.

- 2** Entfernen Sie mit einem Kreuzschlitzschraubendreher Nr. 2 und einem 11/32 Schraubenschlüssel bzw. Steckschlüssel die beiden 12-24 × 0,5-Zoll Flachkopf-Kreuzschlitzschrauben, die beiden Muttern und die beiden Unterlegscheiben von den vorderen Halterungen für die Mittenmontage (siehe Abbildung 3-17).
- 3** Entfernen Sie die vordere Halterung von den beiden Gleitschienen.
- 4** Legen Sie die Halterung einer Gleitschiene auf die Gewindebolzen der gegenüberliegenden Gleitschiene. Drehen Sie dabei die Halterung um 180 Grad, so dass der Montageflansch nach vorne zeigt (siehe Abbildung 3-17).
- 5** Befestigen Sie die vorderen Halterungen für die Mittenmontage (mit Hilfe der in Schritt 2 entfernten Muttern und Unterlegscheiben mit Bund), indem Sie sie von Hand an der gegenüberliegenden Gleitschiene festziehen (siehe Abbildung 3-17).

Diese zusammengesetzte Halterung dient nun als neue verlängerte hintere Halterung.

Abbildung 3-17. Drehen der vorderen Montagehalterung für bündige Montage




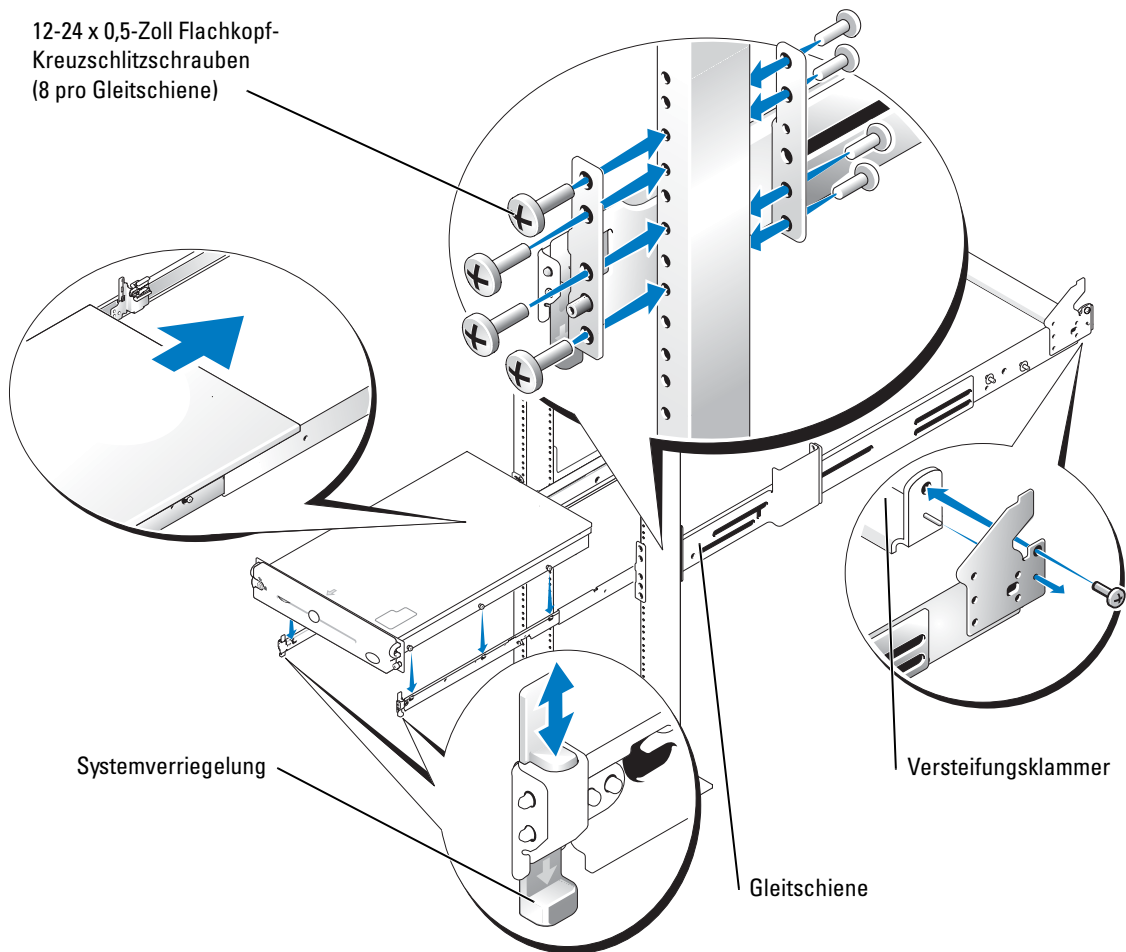
- 6 Wiederholen Sie Schritt 4 und 5, für die Befestigung der anderen Gleitschiene.
- 7 Halten Sie die linke Gleitschiene im zweistützigen Rack an die markierte Stelle, stellen Sie die verlängerte hintere Halterung so ein, dass sie fest an der Rückseite des vertikalen Racks anliegt, und befestigen Sie sie mit vier 12-24 x 0,5-Zoll Flachkopf-Kreuzschlitzschrauben (siehe Abbildung 3-18).
- 8 Befestigen Sie die vordere Halterung der Gleitschiene mit vier 12-24 x 0,5-Zoll Flachkopf-Kreuzschlitzschrauben an der Schiene (siehe Abbildung 3-18).
 **ANMERKUNG:** Verwenden Sie alle vier Schrauben, damit die Halterung sicher an der Schiene befestigt ist.
- 9 Wiederholen Sie Schritt 7 und 8 für die Installation der rechten Gleitschiene im Rack.

Abbildung 3-18. Einbau der Gleitschienen für die bündige Montage



- 10** Ziehen Sie jetzt die zuvor nur mit der Hand angezogenen Muttern an den Montagehalterungen beider Gleitschienen mit einem 11/32-Zoll Schraubenschlüssel bzw. Steckschlüssel fest.
- 11** Bauen Sie die Versteifungsklammer an der Rückseite der Gleitschienen ein, und sichern Sie die Klammer mit je einer 12-24 × 0,5-Zoll Flachkopf-Kreuzschlitzschraube an den Gleitschienen (siehe Abbildung 3-18).

Montieren des Systems im Rack



VORSICHT: Das System ist sehr groß und schwer und darf daher niemals nur von einer einzelnen Person montiert werden.



ANMERKUNG: Die Installation eines Systems in einem Rack ist bei bündig und mittig installierten Gleitschienen identisch.

- 1 Ziehen Sie die Gleitschienen bis zum Anschlag heraus.



VORSICHT: Das System ist sehr groß und schwer, so dass es niemals durch eine Einzelperson in den Gleitschienen montiert werden darf.

- 2 Heben Sie das System in Position (siehe Abbildung 3-18).
- 3 Fassen Sie das System mit der einen Hand unter der System-Vorderseite und mit der anderen Hand auf der System-Rückseite an.
- 4 Kippen Sie die Rückseite des Systems nach unten, und bringen Sie die hinteren Ansatzschrauben auf den Seiten des Systems mit den hinteren Schlitzen der Gleitschienen in Übereinstimmung.
- 5 Setzen Sie die hinteren Ansatzschrauben in ihre jeweiligen Einbaupositionen ein.
- 6 Senken Sie die Systemvorderseite ab, und führen Sie die vorderen und mittleren Ansatzschrauben in ihre Einbaupositionen ein. Die mittlere Position befindet sich genau hinter der Sperrklinke (siehe Abbildung 3-18).

Wenn alle Ansatzschrauben korrekt sitzen, rastet der Systemverriegelungsmechanismus an der Vorderseite der beiden Gleitschienen ein. Damit ist das System in den Schienen gesichert.

- 7 Drücken Sie die Sperrklinken an den Seiten der Gleitschienen nach oben, um das System vollständig ins Rack zu schieben (siehe Abbildung 3-18).
- 8 Schrauben Sie das System mit den Rändelschrauben an der Gehäuse-Frontplatte des Racks fest.



ANMERKUNG: Um das System aus den Gleitschienen zu entfernen, drücken Sie die Freigabetasten des Verriegelungsmechanismus nach unten, und ziehen Sie dann das System nach vorn.

Einbau des Kabelführungsarms

Siehe „Einbau des Kabelführungsarms“ im Abschnitt „Montage in einem Rack mit vier Stützen“ weiter oben in diesem Dokument.

Verlegen der Kabel

Siehe „Verlegen der Kabel“ im Abschnitt „Montage in einem Rack mit vier Stützen“ weiter oben in diesem Dokument.

Damit ist die Installation eines Rack-Kits in einem Rack mit zwei Stützen abgeschlossen.

Index

E

Einbau im Rack
System, 3-14-3-15

I

Inhalt des VersaRails-Kits, 3-8

Inhaltsliste

RapidRails-Kit, 3-8

VersaRails-Kit, 3-8

Zwei-Stützen-Kit, 3-21

Installieren

Gleitschienen für

zwei Stützen, 3-23

Kabelführungsarm, 3-29

RapidRails-

Gleitschienen, 3-12

VersaRails-

Gleitschienen, 3-13

K

Kabel, 3-18

Kabelführungsarm

installieren, 3-16, 3-29

Verlegen der Kabel, 3-18, 3-29

Kit-Inhalt

RapidRails, 3-8

VersaRails, 3-9

M

Markieren des Racks

Vier-Stützen-Kits, 3-10

Zwei-Stützen-Kit, 3-21

R

Rack-Anforderungen

für VersaRails, 3-6

Rack-Einheit, 3-10

Rack-Stabilisatoren, 3-7

RapidRails-Kit, Inhalt, 3-8

S

Schritte

Vier-Stützen-Rack-Kit, 3-9

Zwei-Stützen-Kit, 3-20

Sicherheitshinweise, 3-5

Systeminstallation

Rack mit vier Stützen, 3-14

Rack mit zwei Stützen, 3-29

T

Türen

auswechseln, 3-19

entfernen, 3-9

V

Verlegen der Kabel, 3-29

Versteifungsklammer, 3-21

installieren, 3-24, 3-28

Vertikale Schienen

Eine Rack-Einheit, 3-10

Markieren, 3-10

Vier-Stützen-Rack-Kit

Einbau des Kabelführungs-
arms, 3-16

Inhalt des VersaRails-Kits, 3-8

Markieren des Racks, 3-10

RapidRails-

Gleitschienen, 3-12

RapidRails-Kit, Inhalt, 3-8

Schritte, 3-9

Systeminstallation, 3-14

VersaRails-

Gleitschienen, 3-13

Werkzeuge, 3-7

Vorsichtsmaßnahmen bei
der Rack-Montage, 3-7

W

Werkzeuge

Vier-Stützen-Kits, 3-7

Zwei-Stützen-Kits, 3-20

Z

Zwei-Stützen-Kit

Befestigung in bündiger

Montage, 3-26

Befestigung in

Mittenmontage, 3-24

Einbau der

Gleitschienen, 3-23

Einbau des

Kabelführungsarms, 3-29

Inhalt, 3-21

Markieren des Racks, 3-21

Schritte, 3-20

Systeminstallation, 3-29




Verlegen der Kabel, 3-29

Versteifungsklammer, 3-21

Werkzeuge, 3-20

ラック取り付けガイド

メモ、注意および警告

-  **メモ**：メモは、コンピュータを使いやすくするための重要な情報を説明しています。
-  **注意**：注意は、ハードウェアの損傷やデータの損失の可能性を示し、その危険を回避するための方法を説明しています。
-  **警告**：警告は、物的損害、けが、または死亡の原因となる可能性があることを示します。

ここに記載されている内容は予告なく変更されることがあります。

© 2004 すべての著作権は Dell Inc. にあります。

Dell Inc. の書面による許可のない複製は、いかなる形態においても厳重に禁じられています。

本書で使用されている商標について：*RapidRails* および *VersaRails* は Dell Inc. の商標です。

本書では、必要に応じて上記記載以外の商標および会社名が使用されている場合がありますが、これらの商標や会社名は、一切 Dell Inc. に所属するものではありません。

目次

警告：安全にお使いいただくために	4-5
安全について：システムのラックへの取り付け	4-5
取り付け手順	4-6
4 柱型ラックの取り付け	4-7
準備作業	4-7
推奨する工具および備品	4-8
RapidRails ラックキットの内容	4-8
VersaRails ラックキットの内容	4-8
取り付け手順	4-9
ラック扉の取り外し	4-9
ラックへの印付け	4-10
RapidRails スライドアセンブリの取り付け	4-12
VersaRails スライドアセンブリの取り付け	4-13
ラックへのシステムの取り付け	4-14
ケーブル処理アームの取り付け	4-16
ラック扉の取り付け	4-20
2 柱型ラックの取り付け	4-21
2 柱型ラックの取り付け手順	4-21
推奨する工具および備品	4-21
ラックキットの内容	4-22
ラックへの印付け	4-22
ラックへのスライドアセンブリの取り付け	4-24
ラックへのシステムの取り付け	4-30
ケーブル処理アームの取り付け	4-30
ケーブルの配線	4-30
索引	4-31



図 4-1	RapidRails ラックキットの内容	4-8
図 4-2	VersaRails ラックキットの内容	4-9
図 4-3	1 ラックユニット (1 U)	4-10
図 4-4	垂直レールの印付け	4-11
図 4-5	RapidRails スライドアセンブリの取り付け	4-12
図 4-6	VersaRails スライドアセンブリの取り付け	4-14
図 4-7	システムのラックへの取り付け (RapidRails または VersaRails)	4-15
図 4-8	ケーブル処理アームの取り付け	4-17
図 4-9	ケーブル処理アームの取り付け	4-18
図 4-10	電源ケーブルの配線	4-19
図 4-11	ケーブルの配線	4-20
図 4-12	2 柱型ラックキットの部品	4-22
図 4-13	2 柱型オープンフレームリレーラック のユニバーサル間隔の穴	4-23
図 4-14	2 柱型オープンフレームリレーラック のワイド間隔の穴	4-23
図 4-15	センターマウント用に準備したブラケット	4-25
図 4-16	センターマウント構成でのスライドア センブリの取り付け	4-26
図 4-17	フラッシュマウントでの前部取り付け ブラケットの回転	4-28
図 4-18	フラッシュマウント構成でのスライド アセンブリの取り付け	4-29


警告：安全にお使いいただくために

ご自身の身体の安全を守り、システムおよび作業環境を保護するために、以下の安全に関するガイドラインに従ってください。安全に関する詳細な情報については、『システム情報ガイド』を参照してください。


安全について：システムのラックへの取り付け

ラックの安定性や安全性に関して、次の点にご注意ください。


システムはラックの一部とみなします。したがって、「コンポーネント」には、さまざまな周辺機器やサポートハードウェアと同様に、システムも含まれます。

 **警告：ラック前面および横の安定板を取り付けずにシステムを取り付けると、場合によってはラックが転倒し、けがをする恐れがあります。必ず安定板を取り付けてから、ラックにコンポーネントを取り付けてください。**

ラックにシステム/コンポーネントを取り付けた後は、一度に複数のコンポーネントをラックのスライドアセンブリを使って引き出さないでください。複数のコンポーネントを同時に引き出すと、重みでラックが転倒し、けがをする恐れがあります。

 **メモ：**お使いのシステムは、独立型のユニットとして、また、カスタマラックキットで構成されるラックキャビネットに取り付けるコンポーネントとして、その安全性が保証されています。それ以外のラックキャビネットにシステムおよびラックキットを取り付ける場合は、安全性が保証されません。最終的に組み合わせたシステムおよびラックについては、ユーザーの責任において、適用される安全基準および地域の電気規約の要件に適合することを確認してください。弊社はこのような組み合わせは保証しておらず、いかなる責任も負いません。

- システムラックキットは、トレーニングを受けたサービス技術者がラックに取り付けるように設計されています。キットをこれ以外のラックに取り付ける場合は、そのラックが仕様に適合していることを確認してください。

 **警告：大型ラックを1人で移動しないでください。ラックの高さと重さを考慮して、少なくとも2人以上でラックを移動することをお勧めします。**

- ラックで作業をする前に、安定板がラックに固定されて床面に伸び、ラックの全重量が床面にかかっていることを確認してください。ラックで作業をする前に、ラックが1つの場合は前面と横の安定板、複数のラックを連結する場合は前面の安定板を取り付けます。
- ラックには必ず下から上へと、最も重いものから順に設置してください。
- コンポーネントをラックから引き出す前に、ラックが水平で安定していることを確認してください。
- レールリリースラッチを押してコンポーネントをラックから出し入れするときは、スライドレールに指をはさまれないように注意してください。

警告：安全にお使いいただくために（続き）

- コンポーネントをラックに挿入したら、レールをロック位置まで静かに伸ばし、コンポーネントをスライドさせてラックに設置します。
- ラックに電力を送る AC 分岐回路に過重電流を流さないでください。ラックの総負荷が分岐回路定格の 80 % を超えないようにしてください。
- ラック内のコンポーネントが十分に通気されることを確認してください。
- ラックに取り付けたコンポーネントの作業中に、他のコンポーネントの上に乗ったり、足をかけたりしないでください。

取り付け手順


このガイドは、トレーニングを受けたサービス技術者が、オープンフレームリレーラックやラックキャビネットに 1 台または複数のシステムを取り付ける作業を行う場合の手順書です。RapidRails™ ラックキットは、角型の穴を使用するメーカーのラックキャビネットに、工具を使わずに取り付けることができます。VersaRails™ ラックキットは、角型または丸型の穴を使用する、業界規格に適合しているほとんどのキャビネットに取り付けることができます。RapidRails と VersaRails ラックキットの取り付け手順はほとんど同じです。ラックキャビネットに取り付けるシステム 1 基ごとにラックキット 1 セットが必要です。

このガイドには、以下のラックキットを取り付ける手順が説明されています。

- RapidRails キット（4 柱型ラックキャビネットへの取り付け）
- VersaRails キット（4 柱型ラックキャビネットへの取り付け）
- 2 柱型キット（3 インチ幅または 6 インチ幅ラックへのセンターマウント構成またはフラッシュマウント構成での取り付け）

ラックキットによっては、トラブルシューティングとシステムの状態確認を容易に行えるように、ステータスインジケータケーブルアセンブリが付属しています。このアセンブリは、前面パネルと背面パネルの 2 色のステータスインジケータの情報をケーブル処理アームの背面まで延長するためのものです。このインジケータの詳細については、『ユーザーズガイド』を参照してください。

取り付けを開始する前に、このマニュアルを最後までよくお読みください。

 **警告：**別のシステム用に設計されたラックキットの部品は取り付けしないでください。お使いのシステム用のラックキットのみをお使いください。別のシステム用のラックキットを使用すると、システムが損傷し、ご自身や作業者がけがをする恐れがあります。

VersaRails のラック要件

- ➡ **注意：** VersaRails ラックキットは、米国規格協会 (ANSI) / 米国電子工業会 (EIA) 規格 ANSI/EIA-310-D-92、国際電気標準会議 (IEC) 297、ドイツ工業規格 (DIN) 41494 の仕様を満たすラックについてトレーニングを受けたサービス技術者が取り付けできるように設計されています。ラックキットは、ラックに取り付けるシステム 1 基につき 1 セット必要です。

4 柱型ラックの取り付け

以下の取り付けを開始する前に、手順を最後までよくお読みください。

準備作業

システムをラックへ取り付けの前に、このガイドの最初にある「安全にお使いいただくために」、およびお使いのシステムの『製品情報ガイド』マニュアルの安全上の注意をよくお読みください。

- ⚠ **警告：** 複数のシステムをラックに取り付ける場合は、1 台のシステムの取り付け手順を完了してから、次のシステムの取り付けに進んでください。
- ⚠ **警告：** ラックキャビネットはサイズが非常に大きく重量もあるため、キャスターで簡単に移動できるようになっています。このキャスターにはブレーキがありません。したがってラックキャビネットを移動するときは十分な注意が必要です。ラックキャビネットを別の場所に移動するときは、水平調節用の脚を収納してください。長い傾斜面、急勾配のある場所、スロープなど、バランスが取りにくい場所にはキャビネットを設置しないでください。水平調節用の脚を伸ばしてキャビネットを支え、キャビネットが移動しないようにしてください。

安全に関する重要な注意

システムをラックに取り付けるときは、次の各項の安全に関する注意を遵守してください。

- ⚠ **警告：** 作業者は、自分自身と関係者を保護するために、本書の手順に必ず従ってください。本システムは非常に重量があり大きいため、自分自身や関係者のけがを防ぐために準備と計画を適切に行うことが重要です。この注意は、特にシステムをラックの高い位置に取り付ける場合に重要になります。

ラック安定板

- ⚠ **警告：** ラック正面および横の安定板を取り付けずにラックにシステムを取り付けると、ラックが転倒し、けがをする恐れがあります。必ず安定板を取り付けてから、ラックにコンポーネントを取り付けるようにしてください。
- ⚠ **警告：** ラックにシステムを取り付けた後は、スライドアセンブリ上の複数のシステムを同時にラックから引き出さないでください。引き出された複数のシステムの重みでラックが転倒し、けがをする恐れがあります。

安定板は、スライドアセンブリが伸びきった状態でラックからシステムやその他のコンポーネントを引き出す際に、ラックの転倒を防ぎます。安定用の脚を取り付けて床に固定する手順については、ラックキャビネットに付属のマニュアルを参照してください。

推奨する工具および備品

4 柱型ラックキャビネットにシステムを取り付けるには、次の工具と備品が必要です。

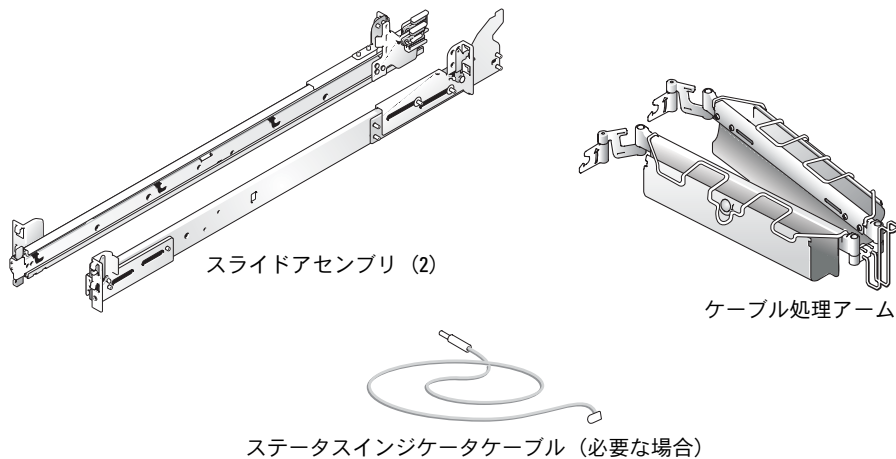
- #2 プラスドライバー（VersaRails スライドアセンブリを取り付けるため）
- マスキングテープまたはフェルトペン（取り付け穴に印を付けるときに使用）

RapidRails ラックキットの内容

RapidRails ラックキットには、以下の部品が含まれています（図 4-1 参照）。

- RapidRails スライドアセンブリ 1 組
- ケーブル処理アーム 1 本
- ステータスインジケータケーブル 1 本（必要な場合）
- タイラップ（図 4-1 には記載されていません）

図 4-1 RapidRails ラックキットの内容



VersaRails ラックキットの内容

VersaRails ラックキットには、以下の部品が含まれています（図 4-2 参照）。

- VersaRails スライドアセンブリ 1 組
- ケーブル処理アーム 1 本
- ステータスインジケータケーブル 1 本（必要な場合）
- 10-32 x 0.5 インチフランジヘッドプラスネジ 8 本
- タイラップ（図 4-2 には記載されていません）


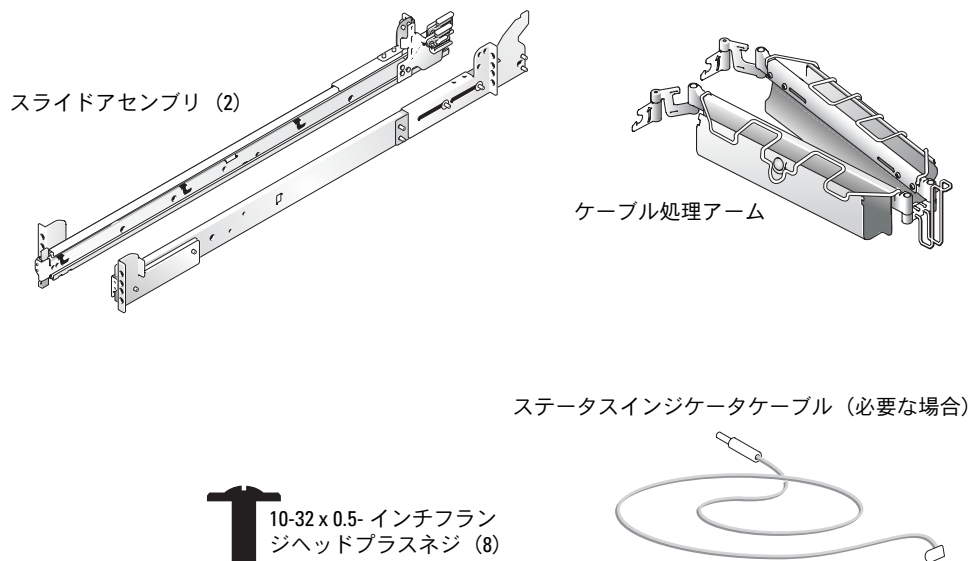
 **メモ：**図と手順の説明に示すメートル法規格以外のネジは、サイズとインチ当たりのネジ山数で表記されています。たとえば 1 インチに 32 本のネジ山がある #10 プラスネジは、10-32 ネジと表記します。

図 4-2 VersaRails ラックキットの内容



取り付け手順

ラックキットを取り付けるには、次の手順を番号順に行います。

- 1 ラック扉の取り外し
- 2 ラックへの印付け (必要な場合)
- 3 ラックへのスライドアセンブリの取り付け
 - RapidRails の取り付け
 - VersaRails の取り付け
- 4 ラックへのシステムの取り付け
- 5 ケーブル処理アームの取り付け
- 6 ケーブルの配線
- 7 ラック扉の取り付け

ラック扉の取り外し

ラックキャビネットに同梱のマニュアルに記載されている扉の取り外し手順を参照してください。

⚠ 警告：ラックキャビネットの扉の大きさと重さを考慮して、取り付けおよび取り外しは1人では行わないでください。

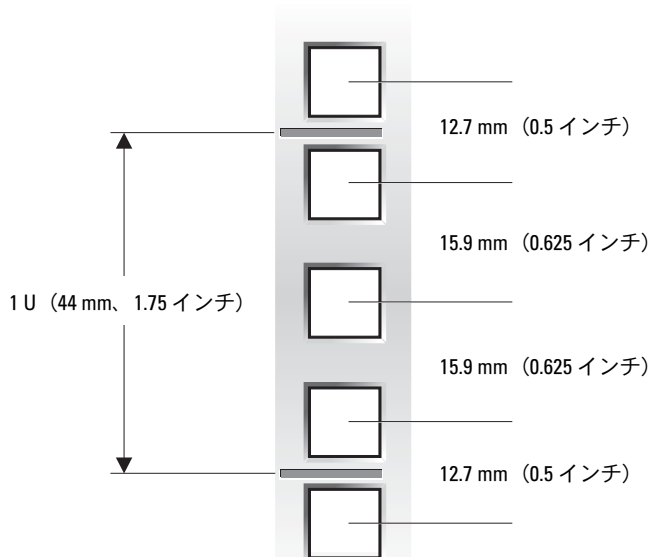
⚠ 警告：取り外した扉は、不意に倒れてけがをしないような場所に保管してください。

ラックへの印付け

ラックに取り付ける各システムごとに、2 ラックユニット (88 mm または 3.5 インチ) の高さの空間が必要です。EIA-310 規格を満たすラックキャビネットには、1 ラックユニット (1 U) ごとに 3 つの穴が交互に並んでいます。穴の中心から中心までの距離は、前部および後部垂直レールの 1 U スペースの一番上の穴から計測して 15.9 mm、15.9 mm、12.7 mm (0.625 インチ、0.625 インチ、0.5 インチ) となっています (図 4-3 参照)。ラックキャビネットの穴には丸型または角型があります。

メモ：垂直レールには、1 U 間隔の水平の線と数字で印が付いていることがあります。ラックの垂直レールについている印の番号を控える方法もあるので、ラックに印を付けたりテープを貼る作業は必須ではありません。目盛りの数字を使用する場合は、「RapidRails スライドアセンブリの取り付け」に進んでください。

図 4-3 1 ラックユニット (1 U)



警告：複数のシステムを取り付ける場合は、ラックの最下段に 1 基目のシステムを取り付けられるように、スライドアセンブリを取り付けてください。

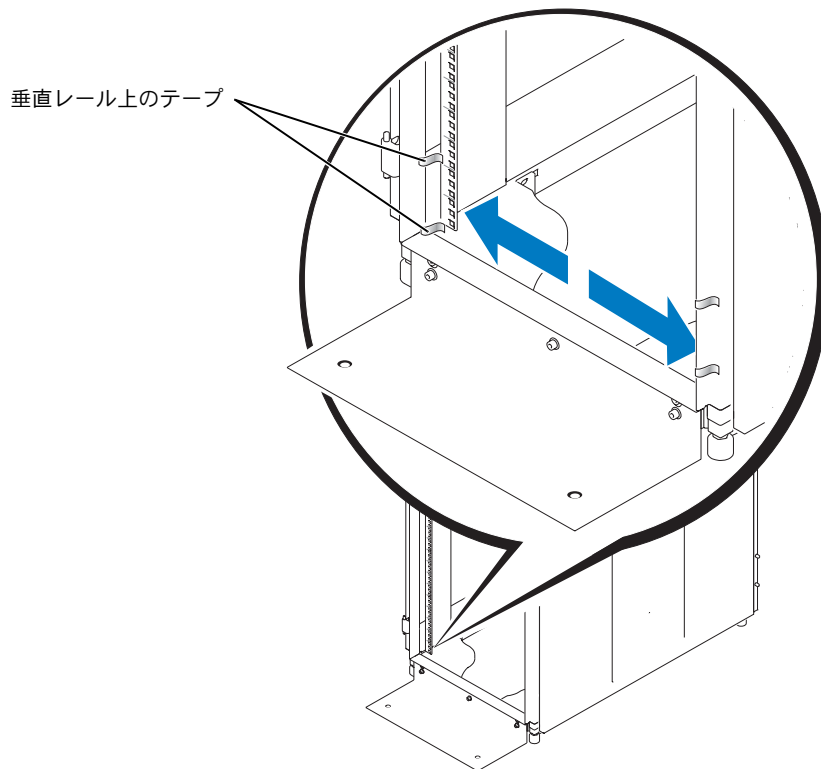
ラックに印を付けるには、次の手順を行います。

- 1 ラックの前面垂直レール上で、ラックキャビネットに取り付けるシステムの底部の位置を決め、印を付けます。

底部にあたる各 1 U スペースの位置は、穴と穴の間が狭い方の金属部分の中央です (横線で印が付いているラックキャビネットもあります。図 4-4 参照)。

- 2 底部の印から 88 mm 上（または EIA-310 規格に適合しているラックの場合は上へ 6 個目の穴）の位置を確認して、ラックの前面垂直レールにフェルトペンやマスキングテープで印を付けます（穴の数を数えて印を付けた場合は 6 個目の穴のすぐ上に印を付けます）。垂直レール上のこのマークまたはテープが、システムの上端の位置を示します（図 4-4 参照）。

図 4-4 垂直レールの印付け



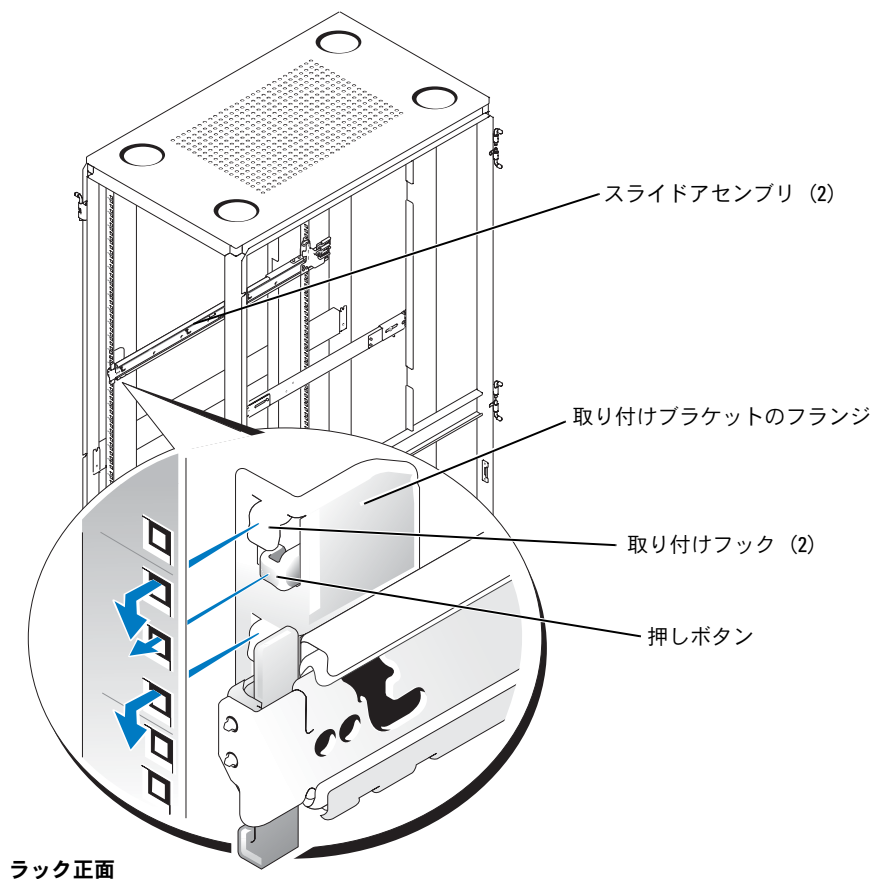
RapidRails スライドアセンブリの取り付け

- 1 ラックキャビネットの前面で、RapidRails スライドアセンブリの取り付けブラケットのフランジが、ラックに付けた印やテープの間のスペースに収まるように、1 つ目のスライドアセンブリの位置を合わせます (図 4-5 参照)。


スライドアセンブリの前面取り付けブラケットフランジの上部取り付けフックを、垂直レールに付けた印の間のスペースにある一番上の穴に差し込みます。

- 2 スライドアセンブリを正面に向かって押して、上部取り付けフックを垂直レールの対応する角型の穴に差し込み、取り付けブラケットのフランジを下に押しつけて取り付けフックを穴に固定します。完全に固定されると押しボタンがカチッと飛び出します (図 4-5 参照)。

図 4-5 RapidRails スライドアセンブリの取り付け



- 3 キャビネットの背面で、取り付けブラケットのフランジを後ろに引いて、上部取り付けフックを対応する角型の穴に差し込み、フランジを下に押しつけて取り付けフックを穴に固定します。完全に固定されると押しボタンがカチッと飛び出します。
- 4 ラックの反対側にあるもう 1 つのスライドアセンブリについて、手順 1 から 3 を繰り返します。

 **メモ：**ラック両側の垂直レールで、スライドアセンブリが同じ高さに取り付けられていることを確認します。

VersaRails スライドアセンブリの取り付け

- 1 ラックキャビネットの前面で、VersaRails スライドアセンブリの取り付けブラケットのフランジが、ラックに付けた印やテープの間のスペース（またはメモした目盛りの位置内）に収まるように、1 つ目のスライドアセンブリの位置を合わせます（図 4-6 参照）。

取り付けブラケット前部にある 4 個の穴が、前面垂直レールに付けた印の間にある 4 個の穴と合うようにします。

- 2 2 本の 10-32 x 0.5 インチフランジヘッドプラスネジを取り付け用フランジの一番上の穴と上から 3 個目の穴に差し込んで、スライドアセンブリを前部垂直レールに固定します（図 4-6 参照）。
- 3 キャビネットの背面から、取り付けブラケットのフランジを後ろに引いて、取り付け穴を背面垂直レールのそれぞれ対応する穴に合わせます。
- 4 2 本の 10-32 x 0.5 インチフランジヘッドプラスネジを背面側取り付け用フランジの一番上の穴と上から 3 個目の穴に差し込んで、スライドアセンブリを背面垂直レールに固定します。
- 5 ラックの反対側にあるもう 1 つのスライドアセンブリについて、手順 1 から 4 を繰り返します。


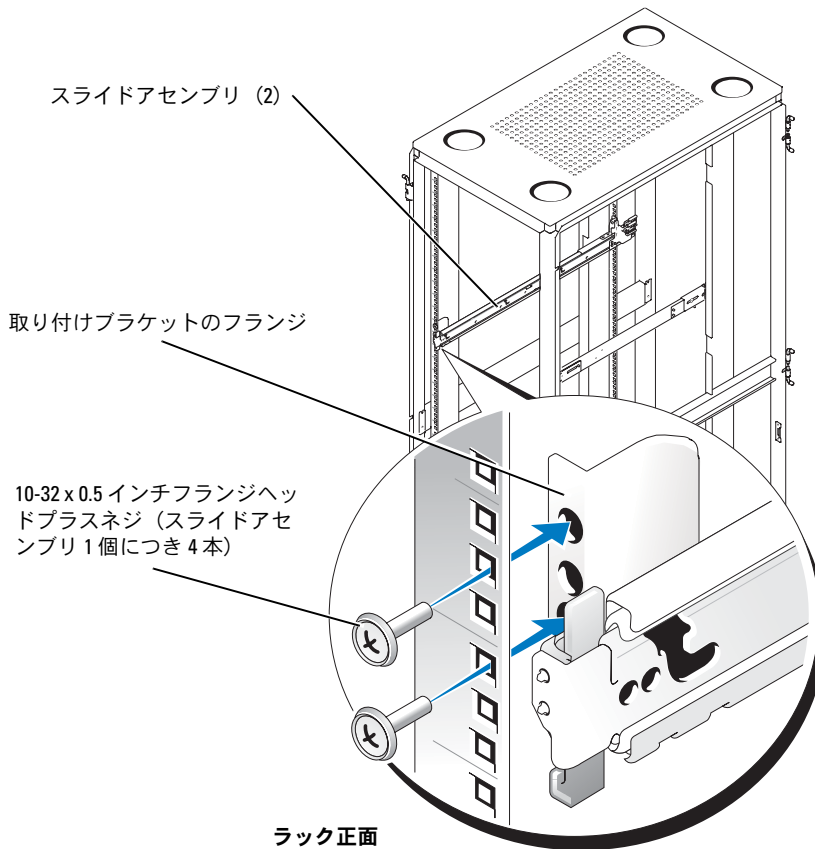
 **メモ：**ラック両側の垂直レールで、スライドアセンブリが同じ高さに取り付けられていることを確認します。

図 4-6 VersaRails スライドアセンブリの取り付け

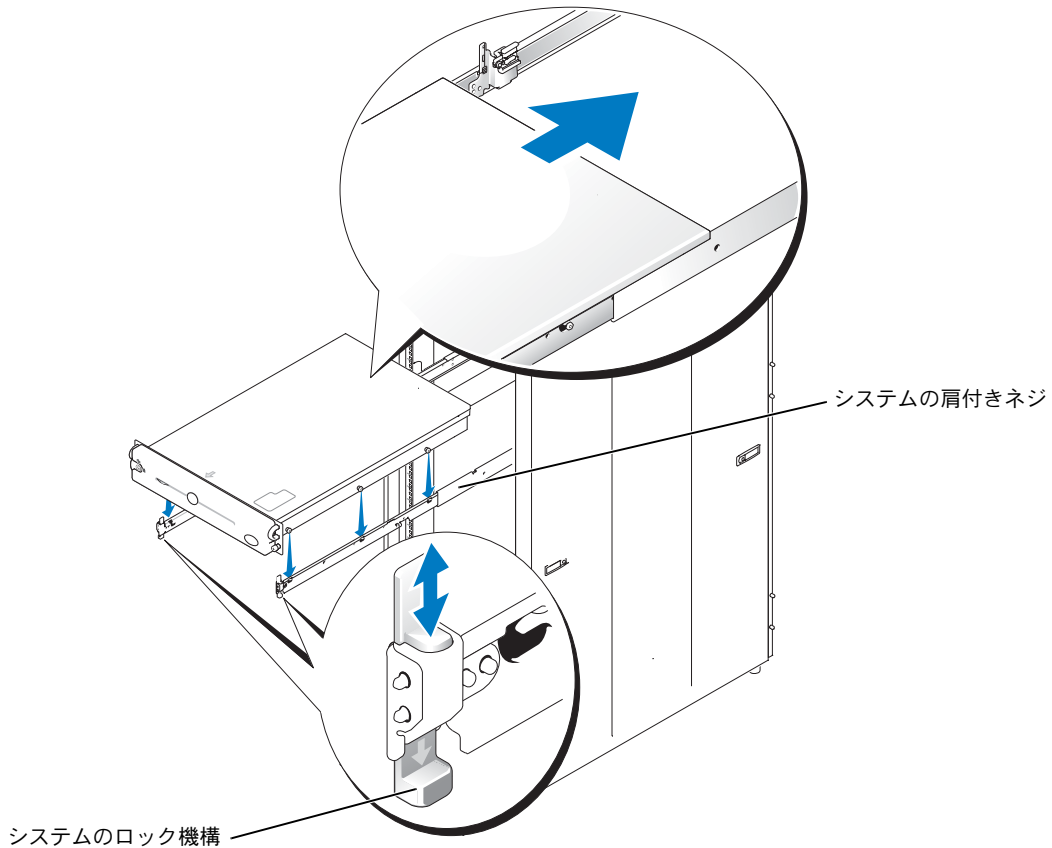


ラックへのシステムの取り付け

- ⚠ 警告：複数のシステムを取り付ける場合は、1 基目のシステムをラックの最下段の位置に取り付けてください。
- ⚠ 警告：一度に複数の部品をラックから引き出さないでください。
 - 1 2 本のスライドアセンブリを、ラックから完全に伸びきった位置でロックするまで引き出します。
- ⚠ 警告：システムの大きさと重さを考慮して、システムのスライドアセンブリへの取り付けは決して1人で行わないでください。
 - 2 引き伸ばしたスライドの前面の位置までシステムを持ち上げます (図 4-7 参照)。
 - 3 片方の手をシステム前面の下に、もう片方の手をシステム背面の下に置きます。


- 4 システムの側面にある後部肩付きネジを、スライドアセンブリの背面スロットに合わせながら、システム背面を下に傾けます。
- 5 後部肩付きネジをスロットにはめ込みます。

図 4-7 システムのラックへの取り付け (RapidRails または VersaRails)




- 6 システム前面を下げて、前部と中央の肩付きネジをそれぞれ対応するスロットに差し込みます (中央のスロットは黄色のシステムリリースラッチの後ろにあります)。すべての肩付きネジが正しくはまると、スライドアセンブリ前面のシステムのロック機構がカチッとハマり、システムがスライドアセンブリに完全に固定されます。
- 7 左右のスライドアセンブリの側面にあるスライドリリースラッチを押し上げて、システムをラックに収納します。

- 8 前面パネルの両側にある拘束つまみネジを押し込んで締め付け、システムをラックに固定します。

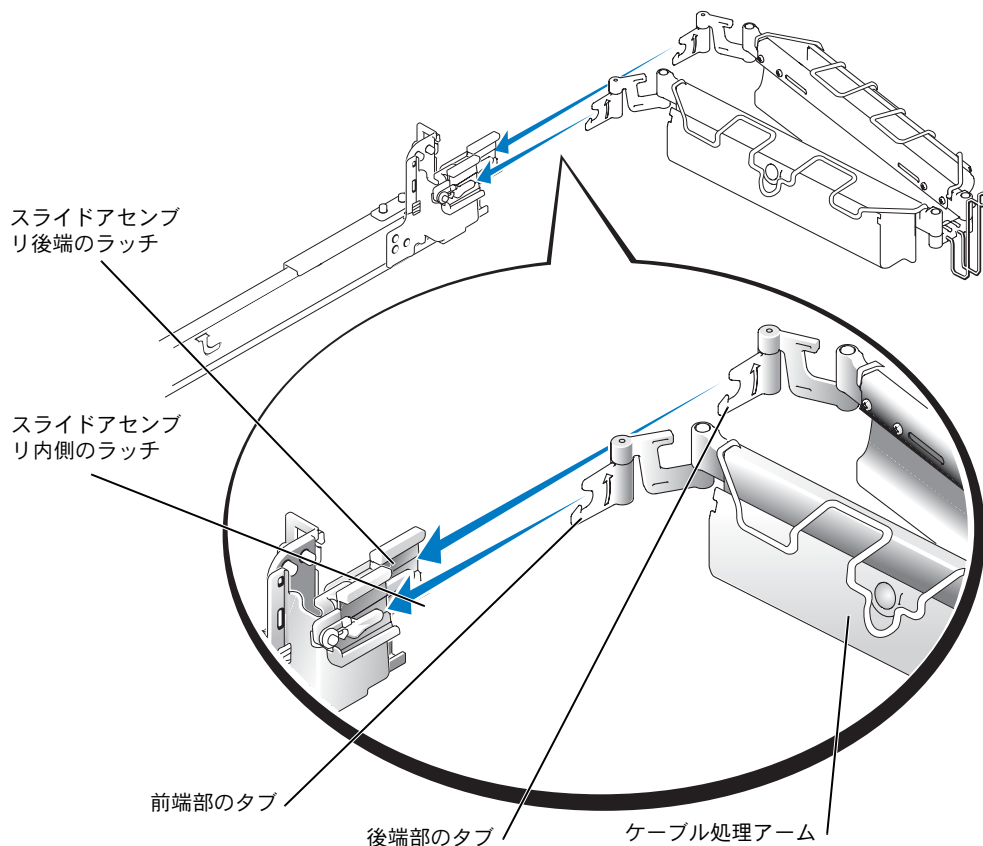
 **メモ**：スライドアセンブリからシステムを外すには、システムのロック機構のつまみを押し下げ、システムを前に引き出します。

ケーブル処理アームの取り付け

 **注意**：ケーブル処理アームはキャビネットの背面から見て右側にしか取り付けられません。システム背面にケーブル処理アームを取り付けるには、次の手順を実行します。

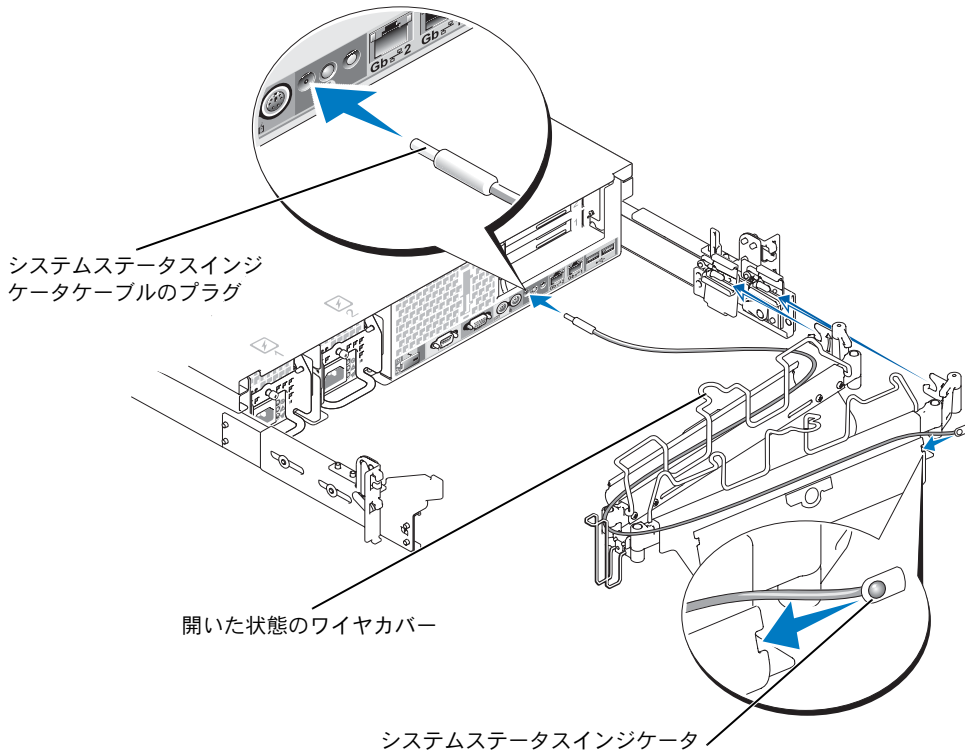
- 1 ラックキャビネットの背面に回り、スライドアセンブリの端にあるラッチの位置を確認します。
- 2 ケーブル処理アームの後部パーツのタブを、スライドアセンブリ後端の外側のラッチに差し込みます (図 4-8 参照)。
ラッチがロックされると、カチッという音がします。
- 3 ケーブル処理アームの前部パーツのタブを、スライドアセンブリの内側のラッチに差し込みます (図 4-8 参照)。
ラッチがロックされると、カチッという音がします。

図 4-8 ケーブル処理アームの取り付け



- 4 必要に応じて、システムステータスインジケータケーブルのプラグをコネクタに差し込みます (図 4-9 参照)。
- 5 ケーブル処理アームのワイヤカバーを開きます。まず丸いボタンで固定されている前部パーツの正面ワイヤを中央部分から開き、同じように丸いボタンで固定されている後部パーツのワイヤを開きます。
ワイヤカバーが自動的に開き、アーム内にケーブルを配線できるようになります。
- 6 ケーブルアセンブリのシステムステータスインジケータ側をケーブル処理アームに通し、ケーブル処理アームの後部パーツにあるスロットに取り付けます (図 4-9 参照)。

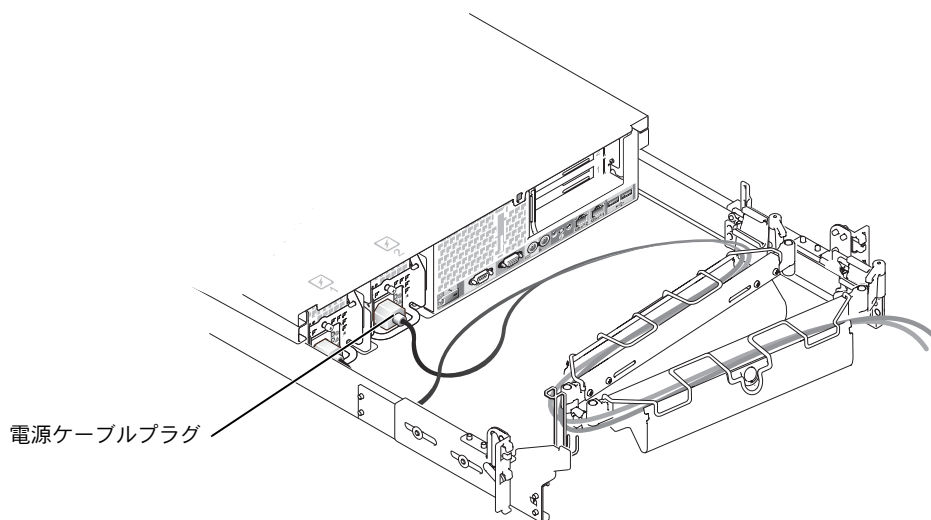
図 4-9 ケーブル処理アームの取り付け



7 電源ケーブルを背面パネルの接続端子に接続します（図 4-10 参照）。

メモ： ストレインリリーフが付属している場合は電源の背面に取り付けて、電源ケーブルでストレインリリーフを使用できるようにします。

図 4-10 電源ケーブルの配線



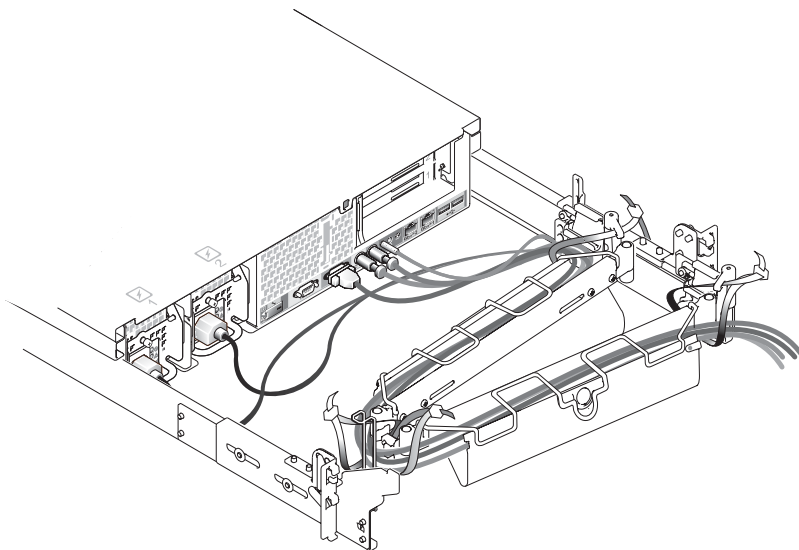
⚠ 警告：ケーブルは、ヒンジの動きを妨げないように多少余裕を持たせながらケーブル処理アームに通してください。

- 8 I/O ケーブルコネクタを、システム背面パネルのそれぞれのコネクタに接続します。
ケーブル接続の詳細については、お使いのシステムに付属の『インストール&トラブルシューティングガイド』と『ユーザズガイド』を参照してください。
- 9 電源ケーブルと I/O ケーブルをケーブル処理アームに通します。4 本のタイラップで緩めに固定してください（2 本はアームの中央で、2 本はアームの両端で固定します）。この時点では、タイラップをきつく締めないでください（図 4-11 参照）。
ケーブルの損傷を防ぐため、ケーブルはケーブル処理アームの中で多少たるませておきます。
- 10 ケーブルをケーブル処理アームに固定します。
 - a ケーブルをシステムに接続したら、システム前面を前面垂直レールに固定しているつまみネジを緩めます。
 - b システムを前方にスライドして完全に引き出します。
 - c ヒンジの動きを妨げないように多少余裕を持たせながら、ケーブルをケーブル処理アームに通します。タイラップでケーブルをアームに固定し、ケーブル処理アームのワイヤカバーを閉じます。

📌 メモ：システムを引き出せる限度まで引き出すと、伸びきった位置でスライドアセンブリにロックがかかります。システムをラック内に戻すには、スライドの側面にあるスライドリリースラッチを押しながら、システムをスライドさせて完全にラックの中に戻します。

- 11 システムをラックから引き出したりラックに押し戻したりして、ケーブルが正しく取り付けられているか、ケーブル処理アームの動きでケーブルが絡まったり、引きつったり、締め付けられたりしないか確認します。
- 12 ケーブルの張りがきつすぎまたは緩すぎの場合は、必要に応じて張りを調節し、システムをラックから出し入れしてもケーブルがずれないようにします。

図 4-11 ケーブルの配線



ラック扉の取り付け

ラックキャビネットに同梱のマニュアルに記載されている扉の取り付け手順を参照してください。

⚠ 警告：ラックキャビネットの扉の大きさと重さを考慮して、取り付けおよび取り外しは1人では行わないでください。

これで4柱型ラックキャビネットへのシステムの取り付けは完了です。

2 柱型ラックの取り付け

2 柱型ラックキットは、電気通信機器設備などで使用される 2 柱型オープンフレームリレーラックにシステムを取り付けるために使用します。3 インチおよび 6 インチ幅 2 柱型ラック（取り付け穴の間隔はユニバーサルまたはワイド）に対応しています。このキットは、センターマウントまたはフラッシュマウントのどちらの構成にも取り付けられます。2 柱型キットに入っているスライドアセンブリを使用すると、システムをラックから引き出してサービスを行えます。

2 柱型オープンフレームリレーラックは、床面、天井、壁の上部、あるいは隣接するラックに正しく固定する必要があります。固定するには、ラックの製造元が指定する固定具や産業規格に適合した床面固定具または壁面固定具を使用してください。この取り付け作業を行う前に、2 柱型オープンフレームリレーラックの製造元が提供する取り付けマニュアルを参照して、取り付けに関する注意事項を確認してください。

⚠ 警告：正しい位置にしっかりと固定されていない 2 柱型オープンフレームリレーラックには、システムを取り付けしないでください。システムの損傷や作業員および関係者のけがを招く恐れがあります。

ラックの取り付けに関するその他の安全情報については、このマニュアルの最初にある「安全にお使いいただくために」を参照してください。

2 柱型ラックの取り付け手順

2 柱型ラックキットを取り付けるには、次の手順を番号順に行います。

- 1 ラックへの印付け（必要な場合）
- 2 ラックへのスライドアセンブリの取り付け
 - センターマウント
 - フラッシュマウント
- 3 ラックへのシステムの取り付け
- 4 ケーブル処理アームの取り付け
- 5 ケーブルの配線

推奨する工具および備品

2 柱型オープンフレームリレーラックにシステムを取り付けるには、次の工具と備品が必要です。

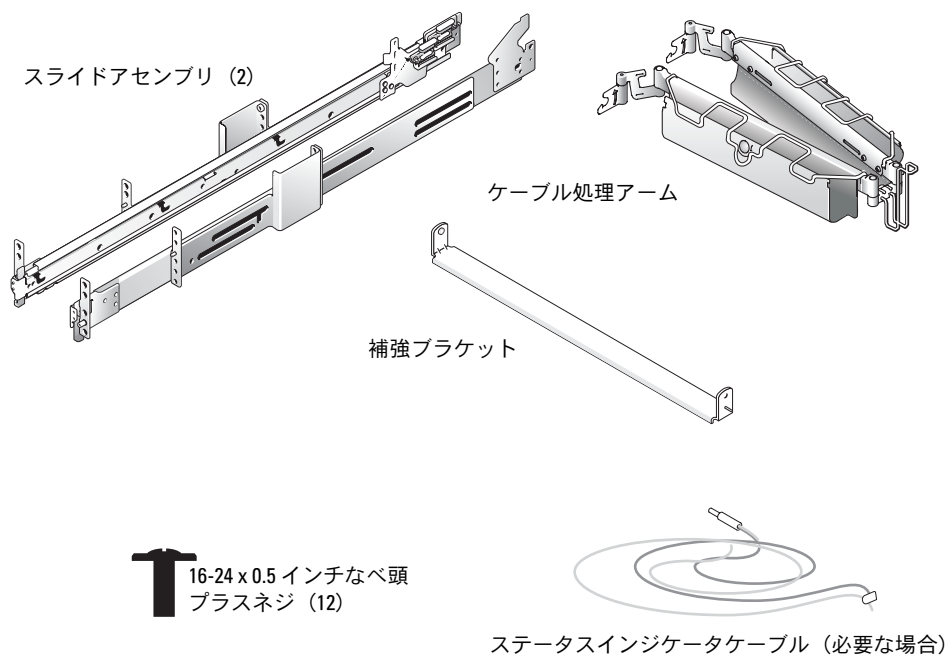
- #2 プラスドライバ
- 11/32 インチレンチまたはナットドライバ（ブラケットをフラッシュマウント構成に変更する場合）
- 取り付け穴に印を付けるために使用するマスキングテープまたはフェルトペン

ラックキットの内容

2 柱型ラックキットの付属品は次のとおりです（図 4-12 参照）。

- スライドアセンブリ（2 柱型）1 組
- 補強ブラケット 1 本
- ケーブル処理アーム 1 本
- ステータスインジケータケーブル 1 本（必要な場合）
- 12-24 x 0.5 インチなベ頭プラスネジ 16 本
- タイラップ（図 4-12 には記載されていません）

図 4-12 2 柱型ラックキットの部品



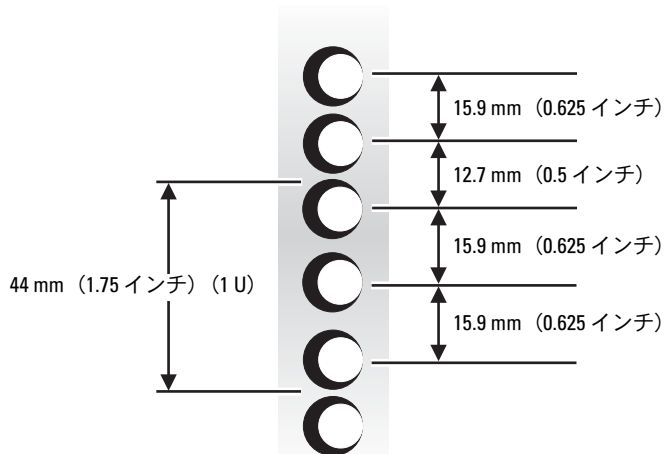
ラックへの印付け

2 柱型ラックに取り付ける各システムごとに、2 ラックユニット（2 U）（88 mm）の高さの空間が必要です。

ユニバーサル間隔で穴があるラック

産業規格に適合している 2 柱型ラック（ユニバーサル間隔）には、1 ラックユニット（1 U）ごとに 3 つの穴が交互に並んでいます。穴の中心から中心までの距離は、前面および背面の垂直支柱の 1 U スペースの一番上の穴から計測して 15.9 mm、15.9 mm、12.7 mm となっています（図 4-13 参照）。

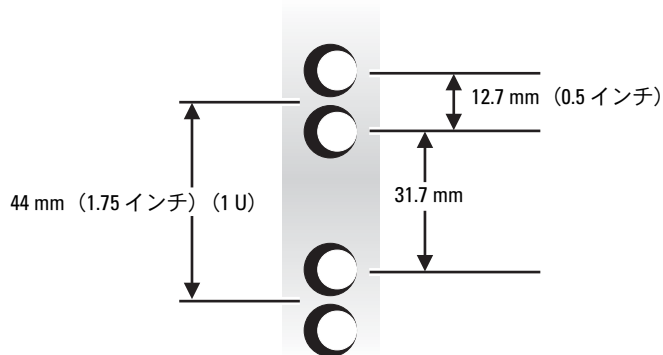
図 4-13 2 柱型オープンフレームリレーラックのユニバーサル間隔の穴



ワイド間隔で穴があるラック

一部の 2 柱型ラック（ワイド規格）には、1 U ごとに 2 つの穴が交互に並んでいます。穴の中心から中心までの距離は、前部および後部垂直支柱の 1 U スペースの一番上の穴から計測して 31.7 mm、12.7 mm となっています（図 4-14 参照）。


図 4-14 2 柱型オープンフレームリレーラックのワイド間隔の穴



ラックに印を付けるには、次の手順を行います。


- 1 前部垂直レール上で、2 柱型ラックに取り付けるシステムの底部の位置を決め、印を付けます。

各 1 U スペースの底部は、レールの穴の一番間隔が狭い金属部分の中央になります。

 **メモ：**ワイド間隔で穴があるラックの場合は、手順 3 に進みます。

- 2 最初に印を付けた場所から 88 mm 上（またはユニバーサル規格のラックの場合は 6 個上の穴）に印を付けます（図 4-13 参照）。

ユニバーサル間隔で穴があるラックには、1 U（44 mm）ごとに 3 つの穴が並んでいます。各穴の中心から中心までの距離は、1 U スペースの一番上の穴から計測して 15.9 mm、15.9 mm、12.7 mm となっています（図 4-13 参照）。


 **メモ：**ユニバーサル間隔で穴があるラックの場合、ラックの印付け手順はこれで完了です。

- 3 底部の印から 88 mm（3.5 インチ）上に（またはワイド規格のラックの場合は 4 個上の穴に）印を付けます（図 4-14 参照）。

ワイド間隔で穴があるラックには、1 U（44 mm）ごとに 2 つの穴が並んでいます。穴の中心から中心までの距離は、1 U スペースの一番上の穴から計測して、31.7 mm となっています（図 4-14 参照）。

ラックへのスライドアセンブリの取り付け

スライドアセンブリは、ユニバーサル間隔（図 4-13 参照）またはワイド間隔（図 4-14 参照）のどちらの穴がある 2 柱型オープンフレームラックにも取り付けることができます。また、2 U スライドアセンブリは、フラッシュマウント構成またはセンターマウント構成で取り付けることができます。

 **警告：**このラックキットを使って別のシステムを取り付けしないでください。お使いのシステム用のラックキットのみをお使いください。別のシステム用のラックキットを使用すると、システムが損傷し、ご自身や作業者がけがをする恐れがあります。

センターマウント

2 柱型ラックキットは、センターマウント用のブラケット構成で出荷されています。取り付けを完了するには、次の手順を行います。

- 1 右側のスライドアセンブリで、後部ブラケットをスライドアセンブリの背面方向に押しします（図 4-16 参照）。
- 2 右側のスライドアセンブリを 2 柱型ラックの印を付けた場所に合わせ、後部ブラケットを垂直 2 柱型ラックに押しつけるように前方に押し、12-24 x 0.5 インチプラスなベネジ 2 本で、前部センターマウント用ブラケットを固定し、12-24 x 0.5 インチプラスなベネジ 3 本で、後部センターマウント用ブラケットを固定します（図 4-16 参照）。
- 3 手順 1 と 2 を繰り返して、左側のスライドアセンブリもラックに取り付けます。
- 4 補強ブラケットをスライドアセンブリ後端に取り付け、12-24 x 0.5 インチなベネジで、各スライドアセンブリに固定します（図 4-16 参照）。

図 4-15 センターマウント用に準備したブラケット

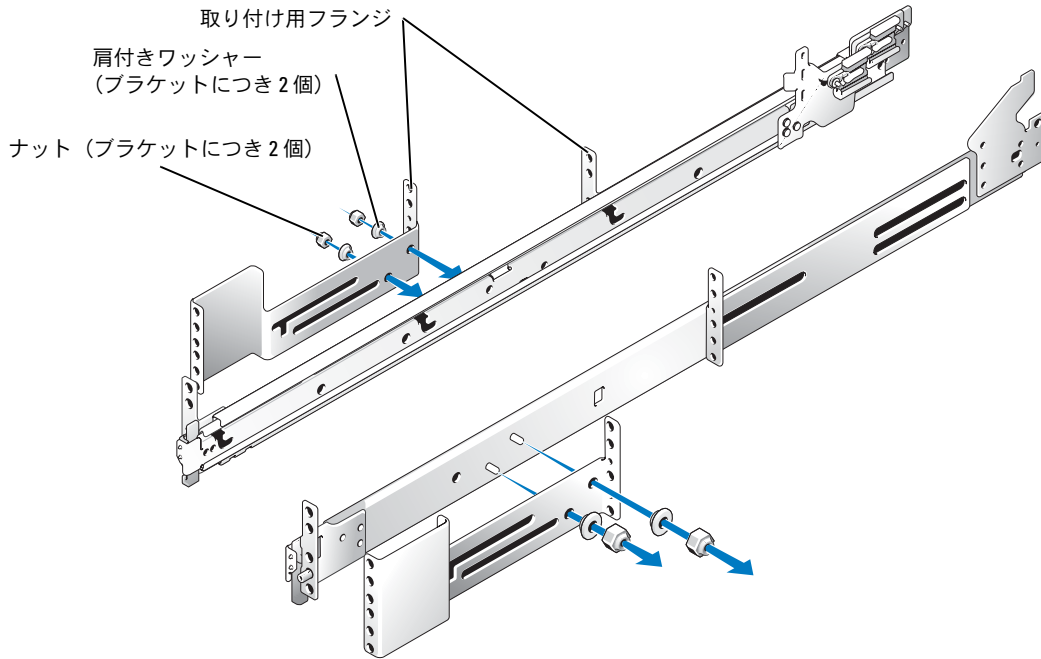
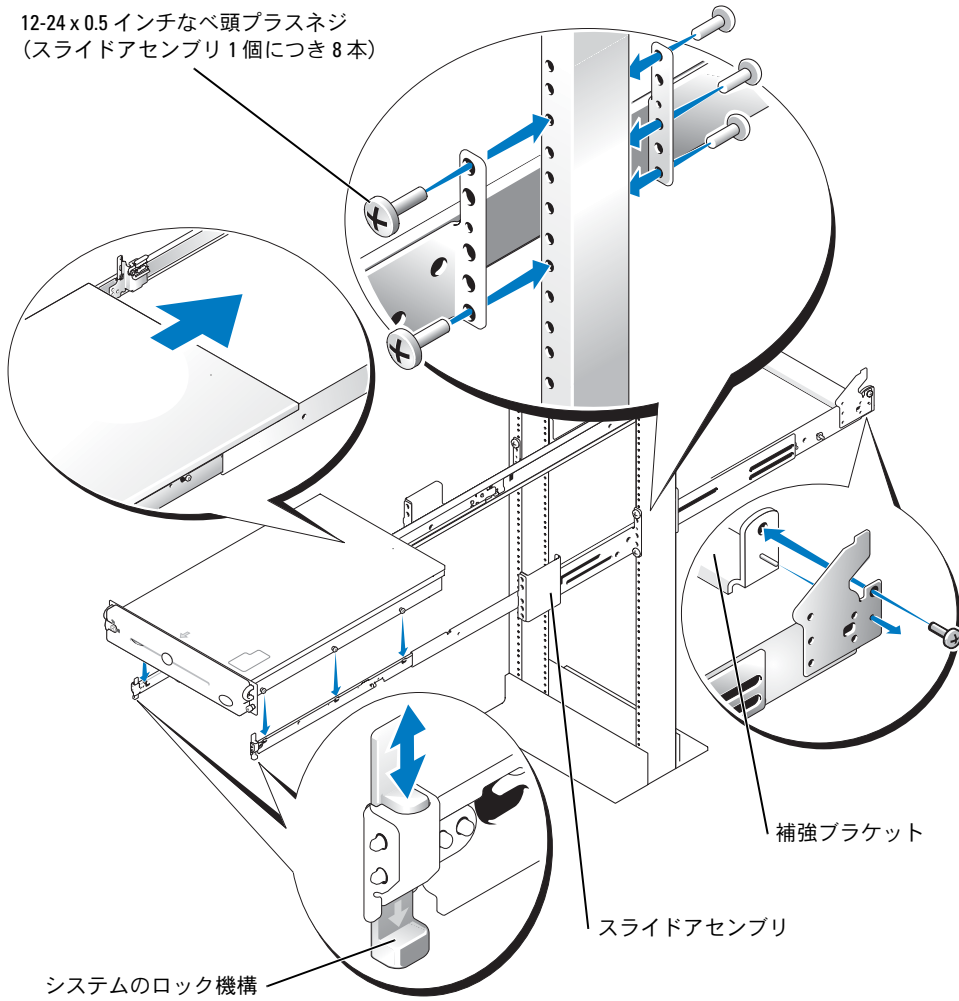


図 4-16 センターマウント構成でのスライドアセンブリの取り付け


12-24 x 0.5 インチなべ頭プラスネジ
(スライドアセンブリ 1 個につき 8 本)



フラッシュマウント

2 柱型ラックキットは、センターマウント用のブラケット構成で出荷されています。2 柱型ラックキットでフラッシュマウントを行うためにスライドアセンブリを構成するには、次の手順を行います。

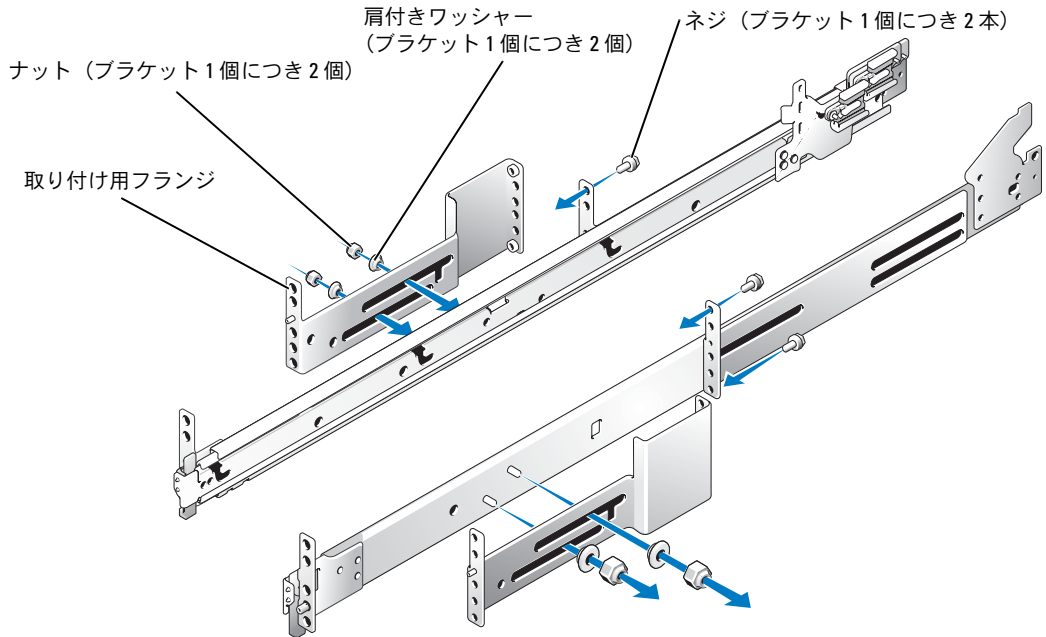
- 1 滑らかな作業面に、スライドアセンブリの前端を手前にして 2 つのスライドアセンブリを並べます。どちらのスライドアセンブリもセンターブラケットが上を向くようにしてください (図 4-17 参照)。

 **メモ:** フラッシュマウント用のスライドアセンブリを組み立てるには、前部取り付けブラケットを取り外し、180 度回転させてから、反対側のスライドアセンブリに取り付けます。

- 2 #2 プラスドライバーと 11/32 インチレンチまたはナットドライバを使って、左右の前部センターブラケットから 2 本の 12-24 x 0.5 インチなべ頭プラスネジ、2 個のナット、および 2 個の肩付きワッシャを取り外します (図 4-17 参照)。
- 3 前部ブラケットを両方のスライドアセンブリから取り外します。
- 4 片方のスライドアセンブリから取り外したブラケットを、180 度回転させて取り付けフランジが前方を向くようにしてから、反対側のスライドアセンブリのねじ山が付いたスタッドの上に置きます (図 4-17 参照)。
- 5 手順 2 で取り外した 2 個の肩付きワッシャと 2 個のナットを使って、前部センターマウントブラケットを反対側のスライドアセンブリに仮留めします。ナットは指で回せる程度まで締めておきます (図 4-17 参照)。

接続されたブラケットが新たに延長された後部ブラケットになります。

図 4-17 フラッシュマウントでの前部取り付けブラケットの回転




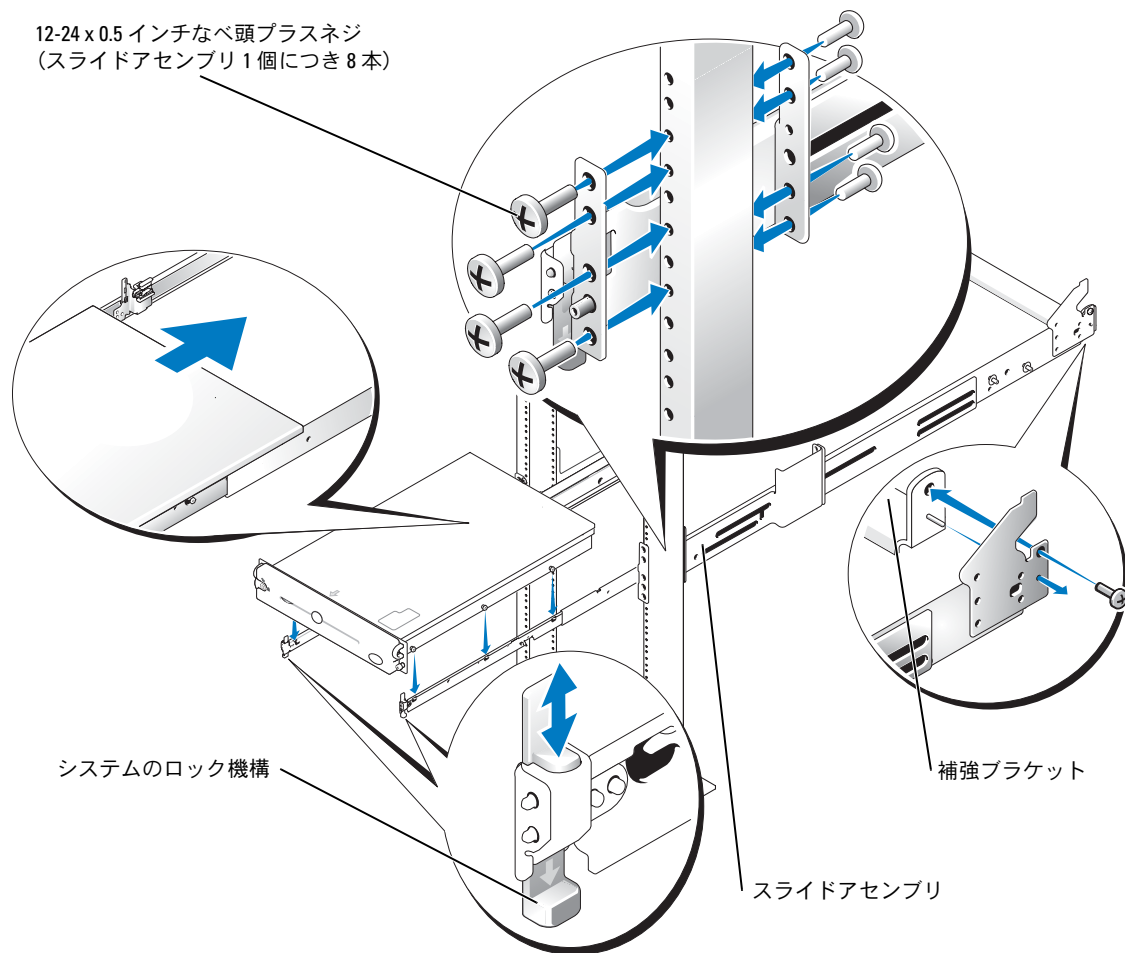

- 6 手順 4 から 5 を繰り返して、反対側のスライドアセンブリを組み立てます。
- 7 左側のスライドアセンブリを 2 柱型ラックの印を付けた位置に合わせ、延長された後部ブラケットを垂直 2 柱型ラックの背面にぴったり合うように調整して、12-24 x 0.5 インチなベ頭プラスネジ 4 本で固定します (図 4-18 参照)。
- 8 スライドアセンブリの前部ブラケットを、4 本の 12-24 x 0.5 インチなベ頭プラスネジを使って、2 柱型ラックに固定します (図 4-18 参照)。
 **メモ**：4 本のネジすべてを使用して、ブラケットをレールにしっかり固定してください。
- 9 手順 7 と 8 を繰り返して、右側のアセンブリもラックに取り付けます。


図 4-18 フラッシュマウント構成でのスライドアセンブリの取り付け




- 10 11/32 インチのレンチまたはナットドライバを使って、両側のスライドアセンブリの取り付けブラケットの手締めしておいたナットを完全に締め付けます。
- 11 補強ブラケットをスライドアセンブリ後端に取り付け、12-24 x 0.5 インチなベ頭プラスネジで、各スライドアセンブリに固定します (図 4-18 参照)。

ラックへのシステムの取り付け

 **警告：**システムの大きさと重さを考慮して、システムの取り付けは決して1人で行わないでください。

 **メモ：**ラックへのシステムの取り付け手順は、フラッシュマウント構成の場合もセンターマウント構成の場合も同様です。


- 1 スライドを完全に伸びきった位置まで引き出します。

 **警告：**システムの大きさと重さを考慮して、システムのスライドアセンブリへの取り付けは決して1人で行わないでください。

- 2 システムを適切な位置まで持ち上げます (図 4-18 参照)。
- 3 片方の手をシステム前面の下に、もう片方の手をシステム背面の下に置きます。
- 4 システムの側面にある後部肩付きネジを、スライドアセンブリの背面スロットに合わせながら、システム背面を下に傾けます。
- 5 後部肩付きネジをスロットにはめ込みます。
- 6 システム前面を下げて、前部と中央の肩付きネジをそれぞれ対応するスロットに差し込みます。中央のスロットはシステムリリースラッチのすぐ後ろにあります (図 4-18 参照)。

すべての肩付きネジが正しくはまると、スライドアセンブリ前面のシステムのロック機構がカチッとハマり、システムがスライドアセンブリに完全に固定されます。

- 7 左右のスライドアセンブリの側面にあるスライドリリースラッチを押し上げて、システムをラックに収納します (図 4-18 参照)。
- 8 前面パネルの両側にある拘束つまみネジを押し込んで締め付け、システムをラックに固定します。

 **メモ：**スライドアセンブリからシステムを外すには、システムのロック機構のつまみを押し下げ、システムを前に引き出します。

ケーブル処理アームの取り付け

このマニュアルで前述した「4 柱型ラックの取り付け」の「ケーブル処理アームの取り付け」を参照してください。

ケーブルの配線

このマニュアルで前述した「4 柱型ラックの取り付け」の「ケーブルの配線」を参照してください。

これで 2 柱型キットへのシステムの取り付けは完了です。

索引

R

RapidRails キットの
内容, 4-8

V

VersaRails キットの
内容, 4-8

VersaRails のラック
要件, 4-7

あ

安全にお使いいた
くために, 4-5

き

キットの内容
RapidRails, 4-8
VersaRails, 4-9

け

ケーブル, 4-19
ケーブル処理アーム
ケーブルの配線, 4-19, 4-30
取り付け, 4-16, 4-30
ケーブルの配線, 4-30

こ

工具
2 柱型キット, 4-21
4 柱型キット, 4-8

し

システムの取り付け
2 柱型ラック, 4-30
4 柱型ラック, 4-14

す

垂直レール
1 ラックユニット, 4-10
印付け, 4-10

て

手順
2 柱型キット, 4-21
4 柱型キット, 4-9

と

扉
取り付け, 4-20
取り外し, 4-9
取り付け
RapidRails スライドアセン
ブリ, 4-12

VersaRails スライドアセン
ブリ, 4-13
ケーブル処理アーム, 4-30
2 柱型スライドアセ
ンブリ, 4-24

な

内容のリスト
RapidRails キット, 4-8
VersaRails キット, 4-8
2 柱型キット, 4-22

に

2 柱型キット
ケーブル処理アームの取り
付け, 4-30
ケーブルの配線, 4-30
工具, 4-21
システムの取り付け, 4-30
スライドアセンブリの取り
付け, 4-24
センターマウント, 4-24
手順, 4-21
内容, 4-22
フラッシュマウント, 4-27
補強ブラケット, 4-22
ラックへの印付け, 4-22

ほ

補強ブラケット, 4-22
取り付け, 4-24, 4-29

よ

4 柱型キット, 4-8
RapidRails スライドアセンブリ, 4-12
VersaRails キットの
内容, 4-8
VersaRails スライドアセンブリ, 4-13
ケーブル処理アームの取り付け, 4-16
工具, 4-8
システムの取り付け, 4-14
手順, 4-9
ラックへの印付け, 4-10

ら

ラック安定板, 4-7
ラック取り付け時の
注意事項, 4-7
ラックへの印付け
2 柱型キット, 4-22
4 柱型キット, 4-10
ラックへの取り付け
システム, 4-14-4-15
ラックユニット, 4-10

Guía de instalación del rack

Notas, avisos y precauciones



NOTA: una NOTA proporciona información importante que le ayudará a utilizar mejor el ordenador.



AVISO: un AVISO indica un posible daño en el hardware o la pérdida de datos, e informa de cómo evitar el problema.



PRECAUCIÓN: un mensaje de PRECAUCIÓN indica el riesgo de daños materiales, lesiones corporales o incluso la muerte.

La información contenida en este documento puede modificarse sin notificación previa.

© 2004 Dell Inc. Reservados todos los derechos.

Queda estrictamente prohibida la reproducción de este documento en cualquier medio sin la autorización por escrito de Dell Inc.

Marcas comerciales que aparecen en el texto: *RapidRails* y *VersaRails* son marcas comerciales de Dell Inc.

Las demás marcas comerciales y nombres comerciales que puedan utilizarse en este documento se refieren a las entidades propietarias de dichos nombres y marcas o a sus productos. Dell Inc. renuncia a cualquier interés en la titularidad de derechos sobre marcas comerciales y nombres comerciales que no sean los suyos.

Contenido

PRECAUCIÓN: Instrucciones de seguridad	5-5
SEGURIDAD: Montaje de sistemas en rack	5-5
Instrucciones de instalación	5-6
Instalación del rack de cuatro postes	5-7
Antes de empezar	5-7
Herramientas y material recomendados	5-7
Contenido del kit de rack RapidRails	5-8
Contenido del kit de rack VersaRails	5-8
Tareas de instalación	5-9
Extracción de las puertas del rack	5-9
Marcado del rack	5-10
Instalación de los conjuntos deslizantes RapidRails	5-12
Instalación de los conjuntos deslizantes VersaRails	5-13
Instalación del sistema en el rack	5-14
Instalación del brazo para tendido de cables	5-16
Colocación de las puertas del rack	5-20
Instalación de rack de dos postes	5-21
Tareas de instalación del rack de dos postes	5-21
Herramientas y material recomendados	5-21
Contenido del kit de rack	5-22
Marcado del rack	5-22
Instalación de los conjuntos deslizantes en el rack	5-24
Instalación del sistema en el rack	5-30
Instalación del brazo para tendido de cables	5-30
Cableado	5-30
Índice	5-31

Figuras

Figura 5-1.	Contenido del kit de rack RapidRails	5-8
Figura 5-2.	Contenido del kit de rack VersaRails	5-9
Figura 5-3.	Una unidad de rack	5-10
Figura 5-4.	Marcado de los rieles verticales	5-11
Figura 5-5.	Instalación de los conjuntos deslizantes RapidRails	5-12
Figura 5-6.	Instalación de los conjuntos deslizantes VersaRails	5-14
Figura 5-7.	Instalación del sistema en el rack (RapidRails o VersaRails)	5-15
Figura 5-8.	Instalación del brazo para tendido de cables	5-17
Figura 5-9.	Instalación del brazo para tendido de cables	5-18
Figura 5-10.	Canalización de los cables de alimentación	5-19
Figura 5-11.	Cableado	5-20
Figura 5-12.	Componentes del kit de rack de dos postes	5-22
Figura 5-13.	Separación universal entre los orificios en un rack abierto de dos postes	5-23
Figura 5-14.	Separación ancha entre los orificios en un rack abierto de dos postes	5-23
Figura 5-15.	Soportes preparados para el montaje centrado	5-25
Figura 5-16.	Instalación de los conjuntos deslizantes para una configuración de montaje centrado	5-26
Figura 5-17.	Rotación del soporte de montaje frontal para el montaje a ras	5-28
Figura 5-18.	Instalación de los conjuntos deslizantes para una configuración de montaje a ras	5-29


PRECAUCIÓN: Instrucciones de seguridad

Siga estas directrices de seguridad para garantizar su propia seguridad y proteger el sistema y el entorno de trabajo frente a posibles daños. Para obtener información completa acerca de la seguridad, consulte la *Guía de información del producto*.


SEGURIDAD: Montaje de sistemas en rack

Tenga en cuenta las precauciones siguientes para garantizar la estabilidad y la seguridad del rack.


Los sistemas son considerados como componentes de un rack. Por lo tanto, “componente” se refiere a cualquier sistema, así como a los distintos periféricos o al hardware de soporte.

 **PRECAUCIÓN: la instalación de sistemas en un rack sin los estabilizadores frontales y laterales puede causar la inclinación y caída del rack, lo que podría producir lesiones físicas. Por lo tanto, instale siempre los estabilizadores antes de montar componentes en el rack.**

Una vez que haya instalado el sistema o los componentes en el rack, no extraiga nunca del rack más de un componente a la vez sobre sus conjuntos deslizantes. El peso de más de un componente puede hacer que el rack vuelque y provoque lesiones personales.

 **NOTA:** el sistema está homologado en cuanto a seguridad como unidad independiente y como componente para uso en el armario rack utilizando el kit de rack del cliente. La instalación del sistema y del kit de rack de Dell en otros armarios rack no ha sido aprobada por ninguna agencia de seguridad. Es su responsabilidad asegurarse de que la combinación final de sistema y rack cumpla los estándares de seguridad correspondientes y los requisitos de códigos de electricidad locales. El fabricante declina toda responsabilidad y garantía relacionadas con tales combinaciones.

- Los kits de rack están diseñados para ser instalados en un rack por técnicos de servicio cualificados. Si monta el kit en cualquier otro rack, éste debe cumplir las especificaciones.

 **PRECAUCIÓN: no mueva los racks sin la ayuda de otra persona. Debido a la altura y el peso del rack, se recomienda un mínimo de dos personas para realizar dicha tarea.**

- Antes de realizar alguna operación en el rack, asegúrese que los estabilizadores estén fijados al rack, que lleguen hasta el suelo y que todo el peso del rack descansa sobre el suelo. Instale los estabilizadores frontales y laterales para un único rack, o los estabilizadores frontales para varios racks unidos.
- Cargue siempre el rack desde la parte inferior hacia arriba, colocando en primer lugar el elemento más pesado.
- El rack debe estar nivelado y estabilizado antes de extraer un componente.
- Tenga cuidado al presionar los pasadores de liberación de los rieles de componentes y al extraer o introducir un componente en el rack, puesto que puede pillarse los dedos con los rieles deslizantes.
- Una vez insertado un componente en el rack, extienda con cuidado el riel hasta su posición de bloqueo y deslice el componente hacia el interior del rack.

PRECAUCIÓN: Instrucciones de seguridad

- No sobrecargue el circuito de alimentación de CA que suministra energía al rack. La carga total del rack no debe ser superior al 80 por ciento de la corriente nominal del circuito.
- Los componentes del rack deben disponer de una ventilación suficiente.
- No suba sobre ningún componente ni lo utilice como escalón para realizar operaciones en los componentes de un rack.

Instrucciones de instalación

En esta guía de instalación se proporcionan instrucciones para técnicos de servicio cualificados que instalen uno o más sistemas en un rack abierto o en un armario rack. El kit de rack RapidRails™ se puede instalar sin herramientas en todos los armarios rack del fabricante que tengan orificios cuadrados, y el kit de rack VersaRails™ se puede instalar en la mayoría de los armarios rack estándar que tengan orificios cuadrados o redondos. Los procedimientos para instalar los kits de rack RapidRails y VersaRails son similares. Para cada sistema montado en el rack se precisa un kit para rack.

En la guía se incluyen los procedimientos para los kits de rack siguientes:


- Kit RapidRails en un armario rack de cuatro postes
- Kit VersaRails en un armario rack de cuatro postes
- Kit de dos postes (instalado en la configuración de montaje centrado o a ras, para racks con una anchura de 7,6 cm o 15,2 cm)

Para facilitar la solución de problemas y la identificación del estado del sistema, algunos kits de rack incluyen un cable de indicador de estado que transfiere la información de los indicadores de estado de dos colores de los paneles frontal y posterior a la parte posterior del brazo para tendido de cables. Para obtener información adicional sobre estos indicadores, consulte la *Guía del usuario* del sistema.

Antes de llevar a cabo la instalación, lea detenidamente el documento completo.

 **PRECAUCIÓN: no instale componentes de kit de rack que estén diseñados para otro sistema. Utilice únicamente el kit de rack correspondiente a su sistema. Si utiliza un kit de rack para otro sistema, el sistema puede resultar dañado y usted u otras personas podrían lesionarse.**

Requisitos del rack para VersaRails

 **AVISO:** el kit de rack VersaRails lo deben montar únicamente técnicos de servicio cualificados en un rack que cumpla las especificaciones siguientes: American National Standards Institute (ANSI)/Electronic Industries Association (EIA) ANSI/EIA-310-D-92, International Electrotechnical Commission (IEC) 297 y Deutsche Industrie Norm (DIN) 41494. Se precisa un kit de rack para cada sistema que se instale en el rack.


Instalación del rack de cuatro postes

Antes de llevar a cabo la instalación, lea detenidamente el procedimiento completo.

Antes de empezar


Antes de empezar la instalación del sistema en el rack, lea detenidamente las instrucciones de seguridad que encontrará al principio de esta guía y las instrucciones de seguridad de la *Guía de información del producto* del sistema para obtener más información.

 **PRECAUCIÓN:** cuando instale varios sistemas en un rack, realice todos los procedimientos para el sistema actual antes de instalar el siguiente sistema.


 **PRECAUCIÓN:** los armarios rack pueden ser muy pesados y moverse fácilmente con las ruedas. El armario no tiene frenos. Preste extremo cuidado al mover el armario rack. Si traslada el armario rack, pliegue primero los pies niveladores. Evite rampas o inclinaciones largas o pronunciadas para evitar perder el control del armario. Extienda los pies niveladores de apoyo para evitar que el armario se desplace.


Información de seguridad importante

Cuando instale el sistema en el rack, tome las precauciones de seguridad que se indican en las subsecciones siguientes.

 **PRECAUCIÓN:** debe seguir estrictamente los procedimientos que se explican en este documento para protegerse a sí mismo y a otras personas que puedan verse involucradas. El sistema puede tener una envergadura y un peso considerables, por lo que son importantes una preparación y planificación adecuadas para evitar lesiones personales a uno mismo y a otros. Esto es más importante aún cuando se instalan sistemas en la parte alta del rack.

Pies estabilizadores del rack

 **PRECAUCIÓN:** la instalación de sistemas en un rack sin haber instalado previamente los pies estabilizadores frontales y laterales puede hacer que vuelque el rack, lo que puede llegar a producir lesiones personales. Por lo tanto, instale siempre los pies estabilizadores antes de instalar los componentes en el rack.

 **PRECAUCIÓN:** tras instalar sistemas en un rack, nunca extraiga a la vez más de un sistema del rack sobre sus conjuntos deslizantes. El peso de más de un sistema extendido puede hacer que vuelque el rack y causar algún daño.

Los pies estabilizadores evitan que vuelque el rack cuando se extrae más de un sistema u otro componente con los conjuntos deslizantes totalmente extendidos. Consulte la documentación que se facilita con el armario rack para obtener instrucciones sobre la instalación y la fijación de los pies estabilizadores.

Herramientas y material recomendados

Para instalar el sistema en un rack de cuatro postes, necesita las herramientas y el material siguientes:

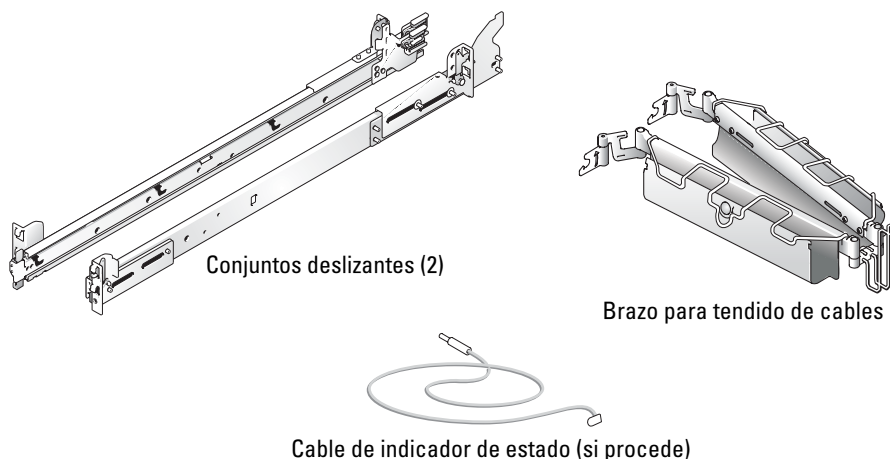
- Un destornillador Phillips del nº 2 (para instalar los conjuntos deslizantes VersaRails)
- Cinta adhesiva o rotulador de punta de fieltro para marcar los orificios de montaje que se utilizarán

Contenido del kit de rack RapidRails

El kit de rack RapidRails incluye los elementos siguientes (consulte la figura 5-1):

- Un par de conjuntos deslizantes RapidRails
- Un brazo para tendido de cables
- Un cable de indicador de estado (si procede)
- Abrazaderas (no mostradas en la figura 5-1)

Figura 5-1. Contenido del kit de rack RapidRails



Contenido del kit de rack VersaRails

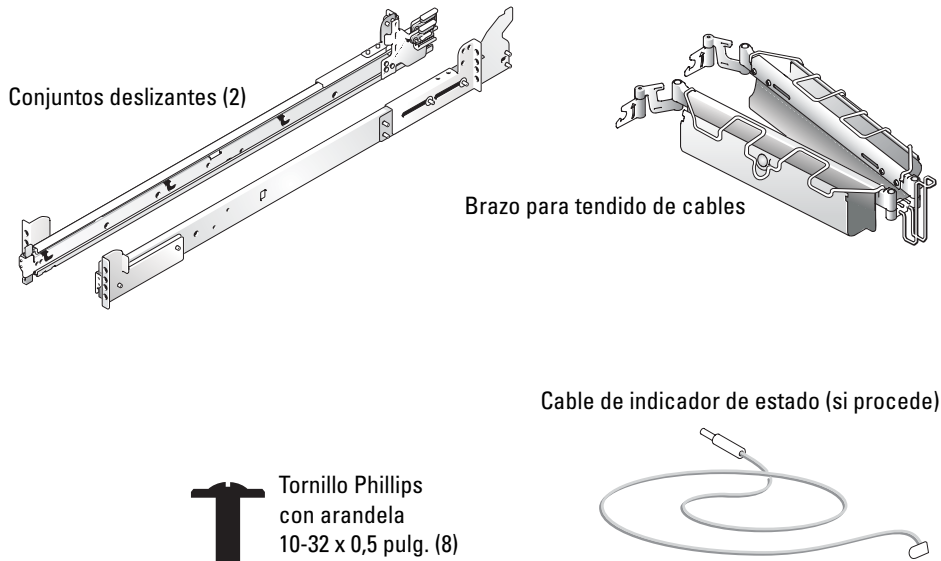
El kit de rack VersaRails incluye los elementos siguientes (consulte la figura 5-2):

- Un par de conjuntos deslizantes VersaRails
- Un brazo para tendido de cables
- Un cable de indicador de estado (si procede)
- Ocho tornillos Phillips con arandela 10-32 x 0,5 pulgadas
- Abrazaderas (no mostradas en la figura 5-2)



NOTA: los tornillos no métricos que se describen en las ilustraciones y en los procedimientos se identifican por el tamaño y el número de roscas por pulgada. Por ejemplo, un tornillo Phillips del nº 10 con 32 roscas por pulgada se identifica como un tornillo 10-32.

Figura 5-2. Contenido del kit de rack VersaRails



Tareas de instalación

La instalación de un kit de rack implica realizar las tareas siguientes en el orden indicado:

- 1 Extracción de las puertas del rack
- 2 Marcado del rack (si fuera necesario)
- 3 Instalación de los conjuntos deslizantes en el rack:
 - Instalación de RapidRails
 - Instalación de VersaRails
- 4 Instalación del sistema en el rack
- 5 Instalación del brazo para tendido de cables
- 6 Cableado
- 7 Colocación de las puertas del rack

Extracción de las puertas del rack

Para extraer las puertas, consulte los procedimientos correspondientes en la documentación suministrada con el armario rack.

⚠ PRECAUCIÓN: debido al tamaño y al peso de las puertas del armario rack, nunca debe intentar montarlas ni desmontarlas sin ayuda.

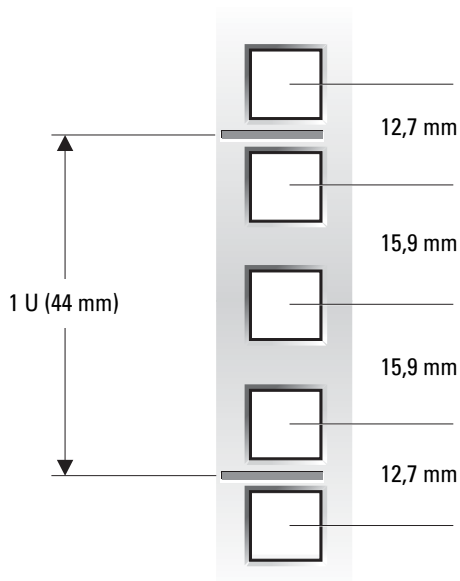
⚠ PRECAUCIÓN: guarde las dos puertas en un lugar donde, en caso de caer accidentalmente, no puedan lesionar a nadie.

Marcado del rack

Debe dejar 2 U (88 mm) de espacio vertical para cada sistema que instale en el rack. Los armarios rack que cumplen los estándares EIA-310 tienen un patrón alterno de tres orificios por unidad de rack con un espacio entre orificios de centro a centro (comenzando en el orificio superior de un espacio 1-U) de 15,9 mm, 15,9 mm y 12,7 mm para los rieles verticales frontal y posterior (consulte la figura 5-3). Los armarios rack pueden tener orificios redondos o cuadrados.

NOTA: los rieles verticales se pueden marcar con líneas horizontales y números a incrementos de 1-U. Si lo desea, puede señalar el número realizando una marca en el riel vertical del rack. No es necesario marcar ni colocar cinta en el rack. Si elige este método, continúe en “Instalación de los conjuntos deslizantes RapidRails”.

Figura 5-3. Una unidad de rack



PRECAUCIÓN: si va a instalar más de un sistema, instale los conjuntos deslizantes de modo que el primer sistema quede instalado en la posición más baja disponible en el rack.

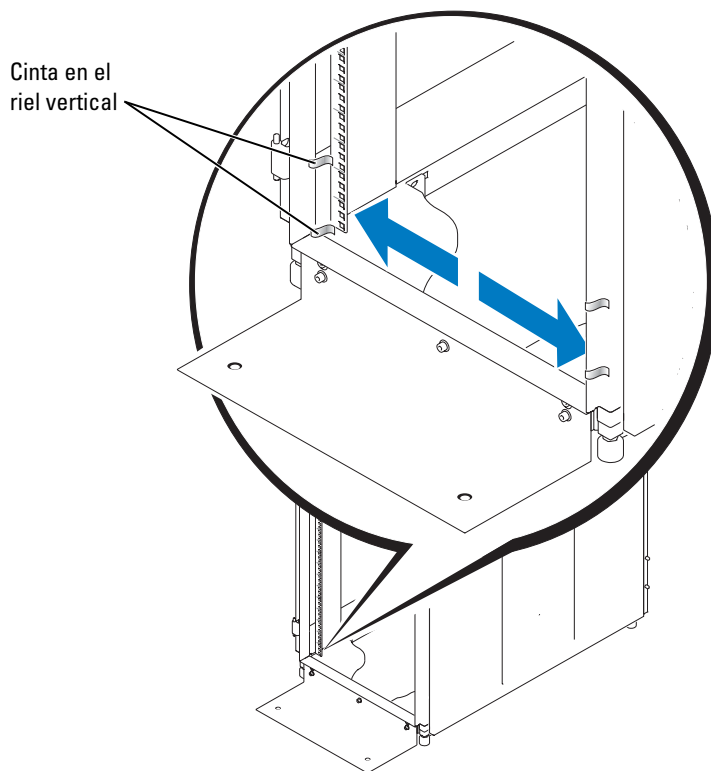
Para marcar el rack, realice los pasos siguientes:

- 1 En los rieles verticales frontales del rack, marque el punto donde desea colocar la parte inferior del sistema que está instalando en el armario rack.

La parte inferior de cada espacio 1-U se encuentra en el centro de la zona metálica más estrecha entre orificios (marcados con una línea horizontal en algunos armarios rack; consulte la figura 5-4).

- 2 Coloque una marca 88 mm por encima de la marca original (o cuente hasta el sexto orificio en un estante que cumpla los estándares EIA-310) y marque los rieles verticales frontales del rack con un rotulador de punta de fieltro o con cinta adhesiva (si ha contado orificios, coloque una marca justo encima del orificio superior). Esta marca o trozo de cinta indica dónde se va a situar el borde superior del sistema en los rieles verticales (consulte la figura 5-4).

Figura 5-4. Marcado de los rieles verticales



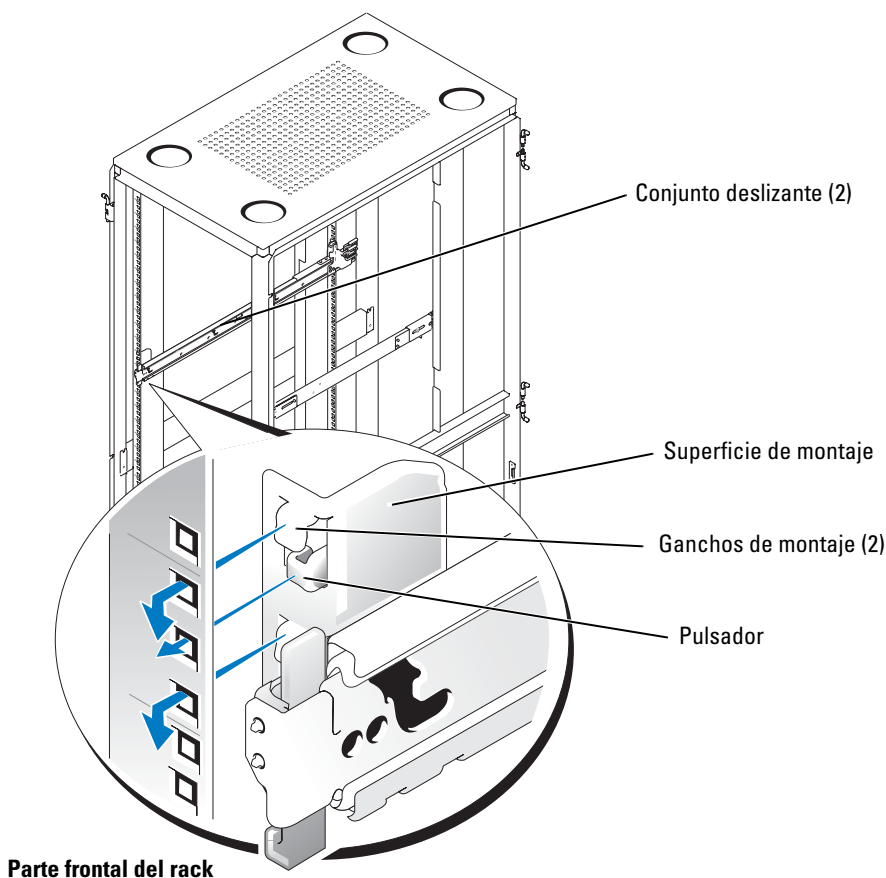
Instalación de los conjuntos deslizantes RapidRails

- 1 En la parte frontal del armario rack, coloque uno de los conjuntos deslizantes RapidRails de modo que la superficie de montaje quede situada entre las marcas o la cinta colocada en el rack (consulte la figura 5-5).

El gancho de montaje superior situado en la superficie de montaje del soporte delantero del conjunto deslizante debe entrar en el orificio superior entre las marcas realizadas en los rieles verticales.

- 2 Empuje el conjunto deslizante hacia delante hasta que el gancho de montaje superior se introduzca en el orificio cuadrado superior sobre el que ha colocado una marca en el riel vertical y, a continuación, empuje hacia abajo la superficie de montaje hasta que los ganchos de montaje encajen en los orificios cuadrados, y el pulsador se expulse y se oiga un clic (consulte la figura 5-5).

Figura 5-5. Instalación de los conjuntos deslizantes RapidRails



- 3 En la parte posterior del armario, tire hacia atrás de la superficie de montaje hasta que el gancho de montaje superior quede colocado en el orificio cuadrado superior y, a continuación, empuje hacia abajo la superficie hasta que los ganchos de montaje se introduzcan en los orificios cuadrados y el pulsador se expulse y emita un clic.
- 4 Repita los pasos del 1 al 3 para el conjunto deslizante del otro lateral del rack.



NOTA: asegúrese de que los conjuntos deslizantes están montados en la misma posición en los rieles verticales en cada lado del rack.

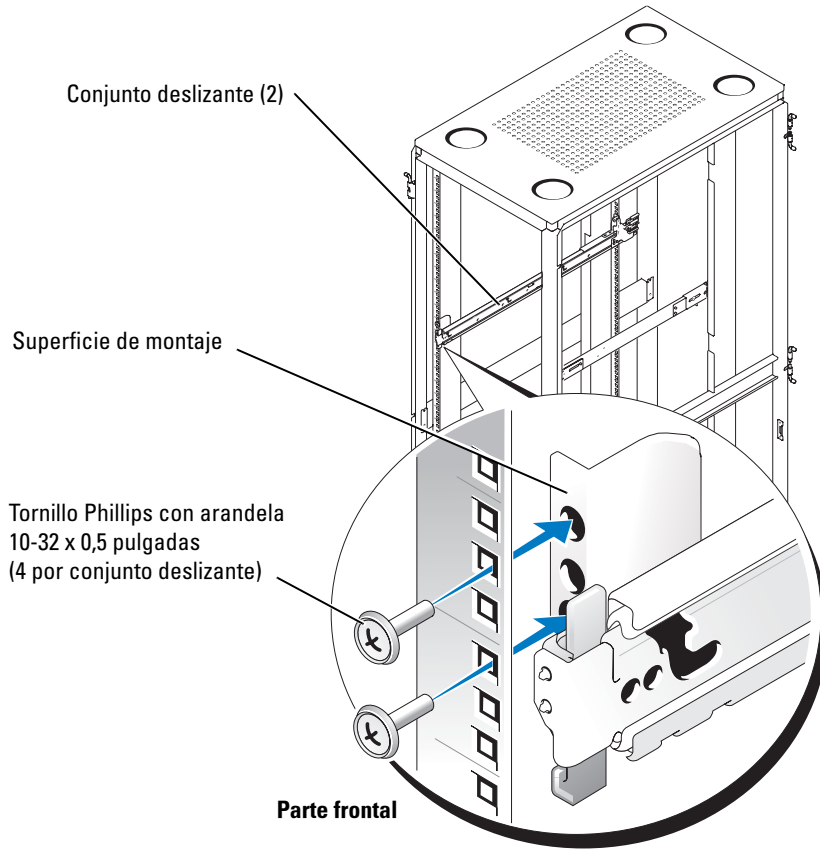
Instalación de los conjuntos deslizantes VersaRails

- 1 En la parte frontal del armario rack, coloque uno de los conjuntos deslizantes VersaRails de modo que la superficie de montaje quede situada entre las marcas o la cinta (o la ubicación numerada) del rack (consulte la figura 5-6).
Los cuatro orificios de la parte frontal del soporte de montaje deben alinearse con los cuatro orificios situados entre las marcas realizadas en el riel vertical frontal.
- 2 Coloque dos tornillos Phillips con arandela 10-32 x 0,5 pulgadas en el orificio superior de la superficie de montaje y en el tercer orificio contando desde la parte superior para fijar el conjunto deslizante al riel vertical frontal (consulte la figura 5-6).
- 3 En la parte posterior del armario, tire hacia atrás de la superficie de montaje hasta que los orificios de montaje queden alineados con los orificios correspondientes del riel vertical posterior.
- 4 Monte dos tornillos Phillips con arandela 10-32 x 0,5 pulgadas en los orificios superior y tercero (contando desde arriba) de la superficie de montaje posterior para fijar el conjunto deslizante al riel vertical posterior.
- 5 Repita los pasos del 1 al 4 para el conjunto deslizante del otro lateral del rack.



NOTA: asegúrese de que los conjuntos deslizantes están montados en la misma posición en los rieles verticales en cada lado del rack.

Figura 5-6. Instalación de los conjuntos deslizantes VersaRails

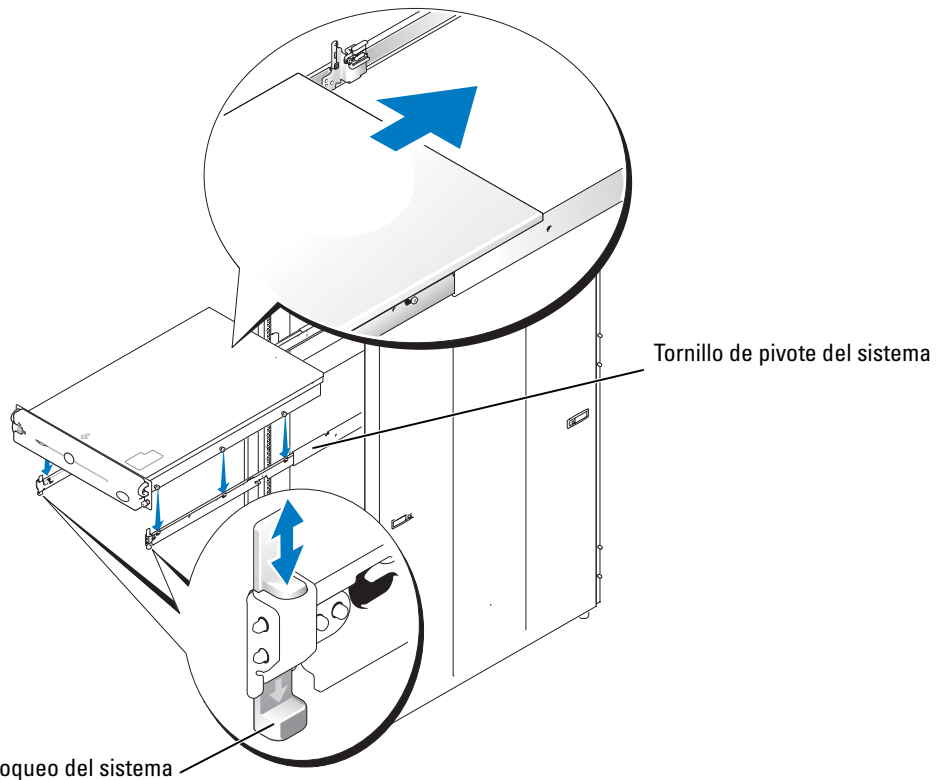


Instalación del sistema en el rack


- ⚠ PRECAUCIÓN:** si va a instalar más de un sistema, instale el primero en la posición más baja que haya disponible en el rack.
- ⚠ PRECAUCIÓN:** no extraiga nunca más de un componente del rack a la vez.
 - 1 Tire de los dos conjuntos deslizantes hacia fuera del rack hasta que queden totalmente extendidos.
- ⚠ PRECAUCIÓN:** debido al tamaño y al peso del sistema, no intente nunca instalarlo en los conjuntos deslizantes sin ayuda.
 - 2 Levante el sistema hasta su posición en la parte frontal de los conjuntos deslizantes extendidos (consulte la figura 5-7).
 - 3 Coloque una mano en la parte inferior frontal del sistema y la otra en la parte inferior posterior.

- 4 Incline la parte posterior del sistema hacia abajo mientras alinea los tornillos de pivote posteriores situados en los laterales del sistema con las ranuras posteriores de los conjuntos deslizantes.
- 5 Coloque los tornillos de pivote posteriores en sus ranuras.


Figura 5-7. Instalación del sistema en el rack (RapidRails o VersaRails)



- 6 Baje la parte frontal del sistema y coloque los tornillos de pivote frontal y central en sus ranuras (la ranura central está justo detrás del pasador amarillo de liberación del sistema). Cuando todos los tornillos de pivote estén colocados correctamente, el mecanismo de bloqueo del sistema en la parte frontal de cada conjunto deslizante encajará en su sitio y bloqueará el sistema en el conjunto deslizante.
- 7 Presione el pasador de liberación del conjunto deslizante situado en el lateral de cada conjunto deslizante para insertar completamente el sistema en el rack.
- 8 Apriete los tornillos moleteados cautivos en cada lateral del panel frontal del chasis para fijar el sistema al rack.

 **NOTA:** para extraer el sistema de los conjuntos deslizantes, presione el mecanismo de bloqueo por donde está marcado y tire del sistema hacia delante.

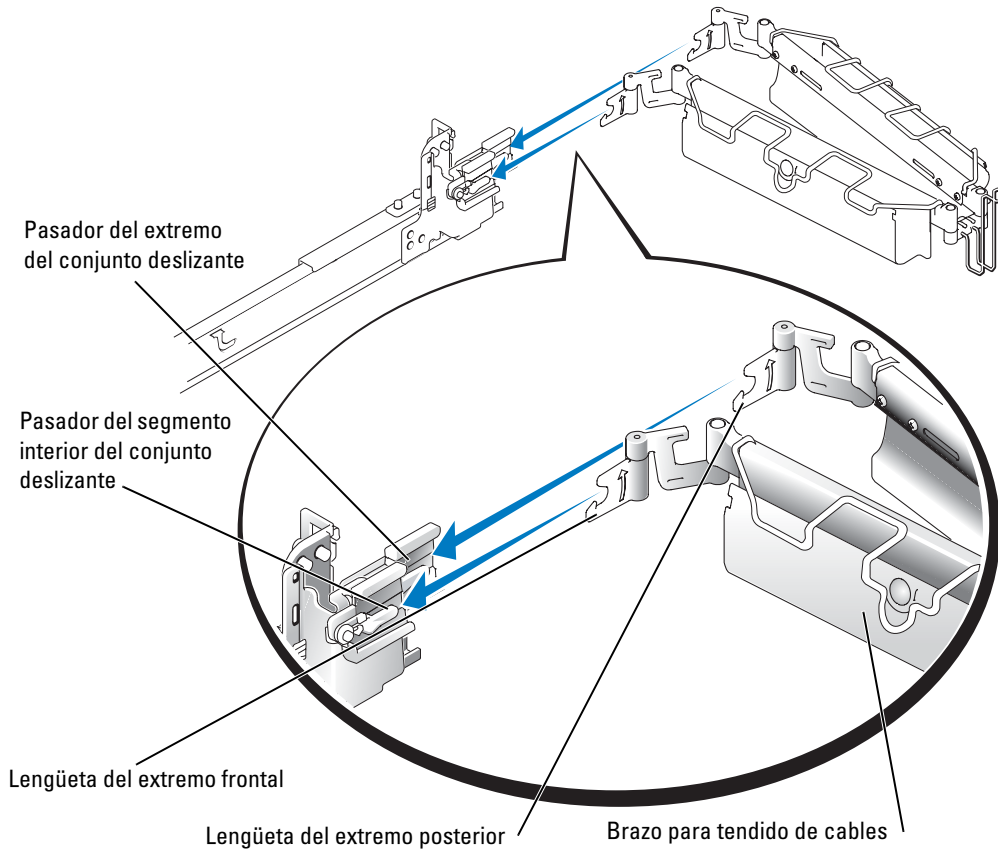
Instalación del brazo para tendido de cables

 **AVISO:** el brazo para tendido de cables sólo se puede instalar en el lado derecho del armario rack (visto desde la parte posterior).

Para instalar el brazo para tendido de cables en el sistema, siga estos pasos:

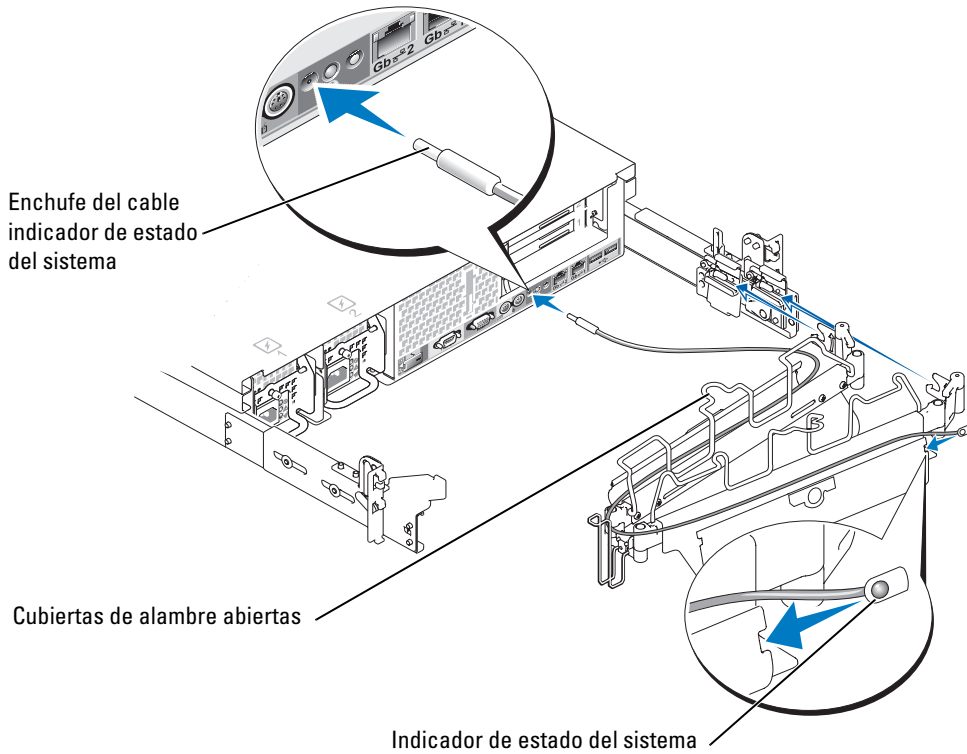
- 1 Sitúese frente a la parte posterior del armario rack y localice el pasador del extremo del conjunto deslizante.
- 2 Inserte la lengüeta del extremo posterior del brazo para tendido de cables en el pasador del extremo del conjunto deslizante (consulte la figura 5-8).
El pasador emite un clic al encajar en su sitio.
- 3 Inserte la lengüeta del extremo frontal del brazo para tendido de cables en el pasador correspondiente del segmento interno del conjunto deslizante (consulte la figura 5-8).
El pasador emite un clic al encajar en su sitio.

Figura 5-8. Instalación del brazo para tendido de cables



- 4 Si es necesario, enchufe el cable de indicador de estado del sistema en su conector (consulte la figura 5-9).
- 5 Abra las cubiertas de alambre del brazo para tendido de cables levantando el centro del alambre por encima del botón circular repujado en el frontal de la parte delantera del brazo y levantando el alambre por encima del otro botón circular similar situado en la parte posterior del brazo.
La cubierta de alambre se abre para permitir pasar los cables por el brazo.
- 6 Pase el extremo del cable de indicador de estado del sistema por el brazo para tendido de cables e instale el indicador en la ranura situada en la parte posterior del brazo para tendido de cables (consulte la figura 5-9).

Figura 5-9. Instalación del brazo para tendido de cables



- 7 Conecte los cables de alimentación a sus receptáculos del panel posterior (consulte la figura 5-10).


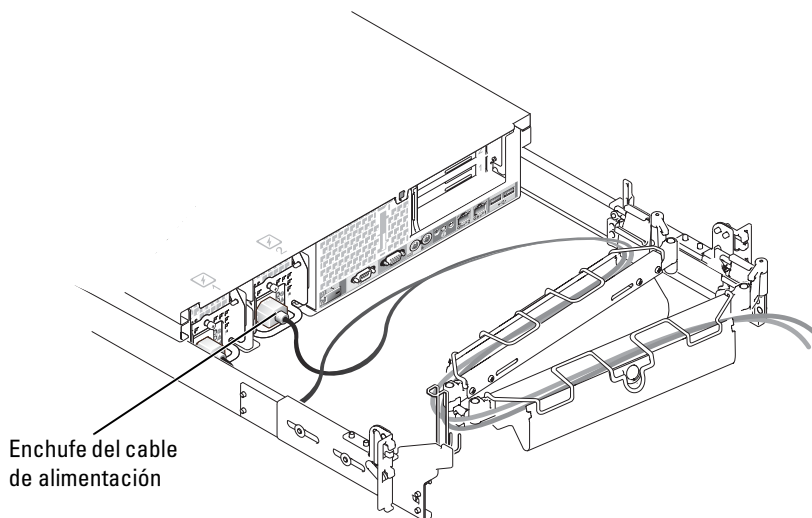
 **NOTA:** coloque los lazos liberadores de tensión (si están disponibles) en la parte posterior de las fuentes de alimentación para liberar la tensión de los cables de alimentación.

Figura 5-10. Canalización de los cables de alimentación



⚠ PRECAUCIÓN: deje cierta holgura en cada cable conforme los tiende alrededor de las bisagras del brazo para tendido de cables.

- 8** Conecte los conectores de cables de E/S a sus respectivos conectores situados en el panel posterior del sistema.

Para obtener más información sobre las conexiones de los cables, consulte la *Guía de instalación y solución de problemas* y la *Guía del usuario*.

- 9** Pase los cables de alimentación y de E/S a través del brazo para tendido de cables. Para ello, utilice cuatro abrazaderas que tengan suficiente holgura (dos en el medio y una en cada extremo del brazo). No apriete completamente las abrazaderas (consulte la figura 5-11).
Deje que los cables queden algo flojos en el brazo para tendido de cables para evitar que se dañen.

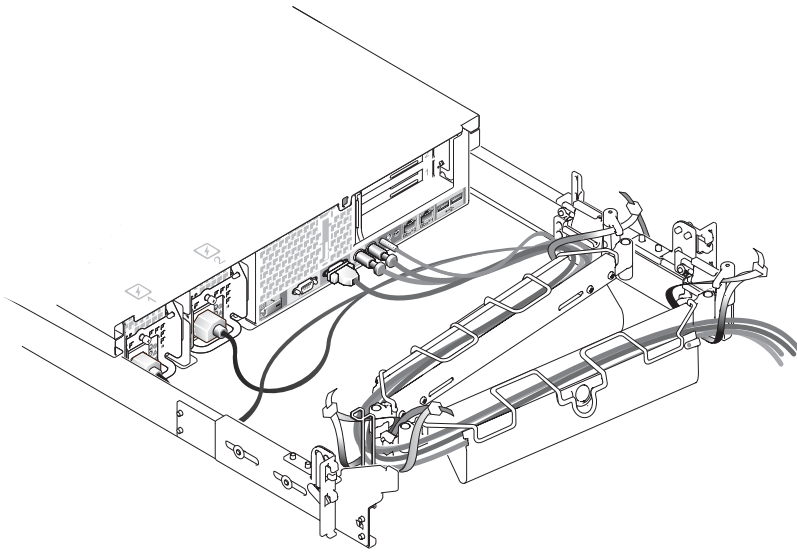
- 10** Fije los cables en el brazo para tendido de cables:

- a** Después de conectar los cables al sistema, desenrosque los tornillos moleteados que fijan la parte frontal del sistema al riel vertical frontal.
- b** Deslice el sistema hacia delante hasta la posición extendida.
- c** Pase los cables a lo largo del brazo para tendido de cables, realice los ajustes de holgura necesarios en los cables en las posiciones de las bisagras, fije los cables al brazo con las abrazaderas y cierre las cubiertas sobre el brazo para tendido de cables.

🔧 NOTA: al extraer el sistema completamente, los conjuntos deslizantes quedarán bloqueados en la posición extendida. Para volver a colocar el sistema en el rack, presione el pasador de liberación del lateral del conjunto deslizante y, a continuación, inserte completamente el sistema en el rack.

- 11 Deslice el sistema dentro y fuera del rack para comprobar que los cables están colocados correctamente y no quedan doblados, estirados o pinzados con el movimiento del brazo para tendido de cables.
- 12 Apriete las abrazaderas lo suficiente para garantizar que la holgura permita que el cable no esté ni demasiado tenso ni demasiado suelto, sino que mantenga los cables en su sitio cuando el sistema se introduzca y se extraiga del estante.

Figura 5-11. Cableado



Colocación de las puertas del rack

Consulte los procedimientos para volver a colocar las puertas en la documentación suministrada con el rack.


⚠ PRECAUCIÓN: debido al tamaño y al peso de las puertas del armario rack, nunca debe intentar montarlas ni desmontarlas sin ayuda.

Con esto ha terminado la instalación del sistema en un armario rack de cuatro postes.

Instalación de rack de dos postes

El kit de rack de dos postes se utiliza para instalar un sistema en un rack abierto de dos postes, como los que se encuentran en las instalaciones de equipos de telecomunicaciones. Es posible colocar racks de dos postes con una anchura de 7,6 cm y de 15,2 cm con una separación universal entre orificios o separación ancha entre orificios. Puede instalar este kit en una configuración de montaje centrado o a ras. El kit de dos postes incorpora conjuntos deslizantes que permiten extraer el sistema del rack para su reparación.

Debe fijar de forma adecuada el rack abierto de dos postes al suelo, al techo o a la pared y, si procede, a otros racks adyacentes, mediante dispositivos de fijación para el suelo y la pared especificados o aprobados por el fabricante del rack o por estándares de la industria. Antes de iniciar la instalación, consulte las advertencias de seguridad indicadas en la documentación de instalación del rack abierto de dos postes.

 **PRECAUCIÓN: no intente instalar el sistema en un rack abierto de dos postes que no se haya fijado en su ubicación de forma segura. Si no sigue esta precaución, el sistema puede resultar dañado y usted u otras personas podrían lesionarse.**

Consulte las instrucciones de seguridad del principio de este documento para ver información adicional de seguridad con respecto al montaje del rack.

Tareas de instalación del rack de dos postes

La instalación de un kit de rack de dos postes incluye las tareas siguientes en el orden indicado:

- 1 Marcado del rack (si fuera necesario)
- 2 Instalación de los conjuntos deslizantes en el rack:
 - Montaje centrado
 - Montaje a ras
- 3 Instalación del sistema en el rack
- 4 Instalación del brazo para tendido de cables
- 5 Cableado

Herramientas y material recomendados

Para instalar el sistema en un rack abierto de dos postes necesitará las herramientas y el material siguientes:

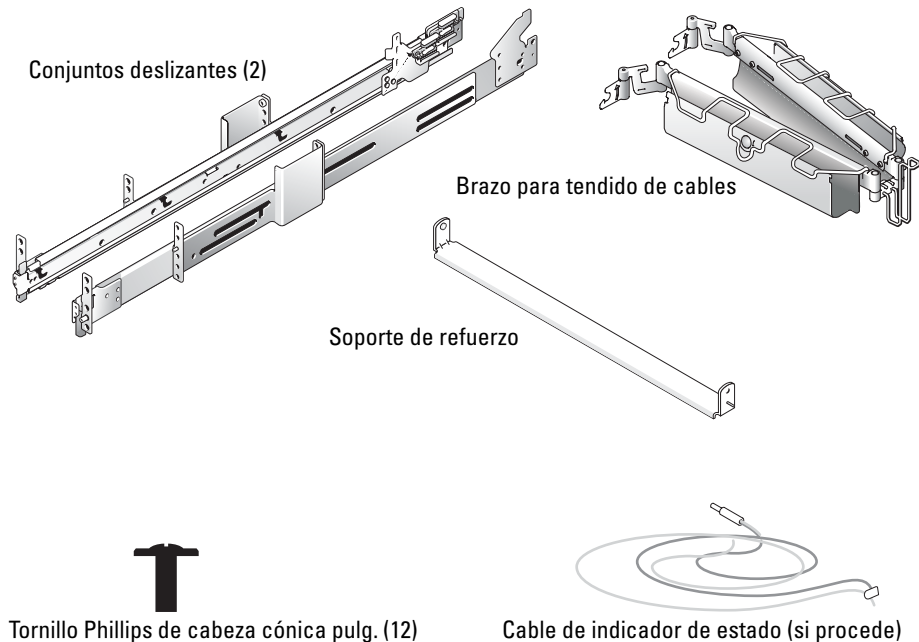
- Destornillador Phillips del n° 2
- Llave de 11/32 pulgadas (si se cambia a una configuración de montaje a ras)
- Cinta adhesiva o rotulador de punta de fieltro para marcar los orificios de montaje

Contenido del kit de rack

El kit de rack de dos postes incluye los elementos siguientes (consulte la figura 5-12):

- Un par de conjuntos deslizantes (de dos postes)
- Un soporte de refuerzo
- Un brazo para tendido de cables
- Un cable de indicador de estado (si procede)
- 16 tornillos Phillips de cabeza cónica 12-24 x 0,5 pulgadas
- Abrazaderas (no mostradas en la figura 5-12)

Figura 5-12. Componentes del kit de rack de dos postes



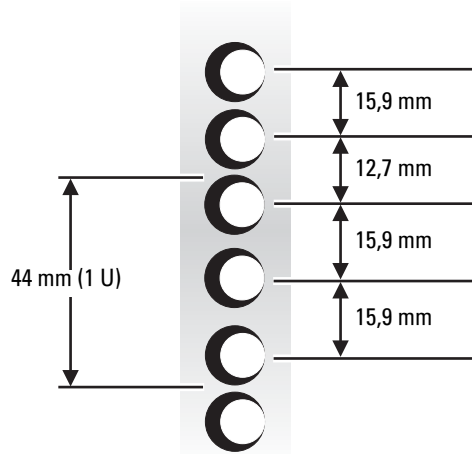
Marcado del rack

Debe dejar 2 U (88 mm) de espacio vertical para cada sistema que monte en el rack de dos postes.

Racks con separación universal entre orificios

Los racks de dos postes estándar del sector con separación universal entre orificios tienen un patrón alterno de tres orificios por unidad con un espacio entre orificio de centro a centro (comenzando en el orificio superior de un espacio de 1-U) de 15,9 mm, 15,9 mm y 12,7 mm para la columna de orificios vertical frontal y posterior (consulte la figura 5-13).

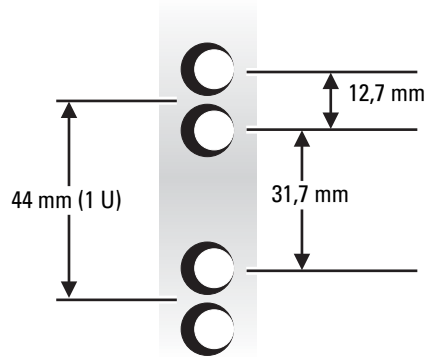
Figura 5-13. Separación universal entre los orificios en un rack abierto de dos postes



Racks con separación ancha entre orificios

Algunos racks de dos postes con separación ancha entre orificios tienen un patrón alterno de dos orificios por unidad con un espacio entre orificios de centro a centro (comenzando en el orificio superior de un espacio de 1-U) de 31,7 mm y 12,7 mm para la columna de orificios vertical frontal y posterior (consulte la figura 5-14).


Figura 5-14. Separación ancha entre los orificios en un rack abierto de dos postes



Para marcar el rack, realice los pasos siguientes:


- 1 Marque los rieles verticales frontales en los que desee colocar la parte inferior del sistema que está instalando en el rack de dos postes.

La parte inferior de cada espacio 1-U se encuentra en el centro de la zona metálica más estrecha entre los orificios.

 **NOTA:** si el rack tiene una separación ancha entre orificios, vaya al paso 3.

- 2 Haga una marca 88 milímetros por encima de la marca original realizada o cuente seis orificios en un rack con separación universal entre orificios (consulte la figura 5-13).

Cada 1 U (44 mm) de espacio vertical en un rack con separación universal entre orificios tiene tres orificios con separación de centro a centro entre orificios (empezando por la parte superior de un espacio de 1-U) de 15,8 mm, 15,8 mm y 12,7 mm (consulte la figura 5-13).


 **NOTA:** si el rack tiene una separación universal entre orificios, el procedimiento de marcado del rack ha finalizado.

- 3 Haga una marca 88 milímetros por encima de la marca original realizada o cuente cuatro orificios en un rack con separación ancha entre orificios (consulte la figura 5-14).

Cada 1-U (44 mm) de espacio vertical en un rack con una separación ancha entre orificios tiene dos orificios con separación de centro a centro entre los orificios (empezando por la parte superior de un espacio de 1-U) de 31,7 mm (consulte la figura 5-14).

Instalación de los conjuntos deslizantes en el rack

Puede instalar los conjuntos deslizantes en un rack abierto de dos postes con separación universal entre orificios (consulte la figura 5-13) o con separación ancha entre orificios (consulte la figura 5-14). Puede instalar los conjuntos deslizantes de 2-U en una configuración de montaje centrado o a ras.

 **PRECAUCIÓN:** no intente instalar otro sistema utilizando este kit de rack. Utilice únicamente el kit de rack diseñado para su sistema. Si utiliza un kit de rack para otro sistema, el sistema puede resultar dañado y usted u otras personas podrían lesionarse.

Montaje centrado

El kit de rack de dos postes se entrega con los soportes configurados para el montaje centrado. Para completar la instalación, realice los pasos siguientes:

- 1 Localice el conjunto deslizante derecho y presione el soporte posterior hacia la parte posterior del conjunto (consulte la figura 5-16).
- 2 Coloque el conjunto deslizante derecho en el punto marcado del rack de dos postes, presione el soporte posterior hacia delante contra el rack vertical de dos postes, fije el soporte de montaje centrado frontal mediante dos tornillos Phillips con arandela 12-24 x 0,5 pulgadas, y fije el soporte de montaje centrado posterior al rack con tres tornillos Phillips con arandela 12-24 x 0,5 pulgadas (consulte la figura 5-16).

- 3 Repita los pasos 1 y 2 para instalar el conjunto deslizante izquierdo en el rack.
- 4 Instale el soporte de refuerzo entre los extremos posteriores de los conjuntos deslizantes y fije el soporte mediante un tornillo Phillips con arandela 12-24 x 0,5 pulgadas en cada conjunto deslizante (consulte la figura 5-16).

Figura 5-15. Soportes preparados para el montaje centrado

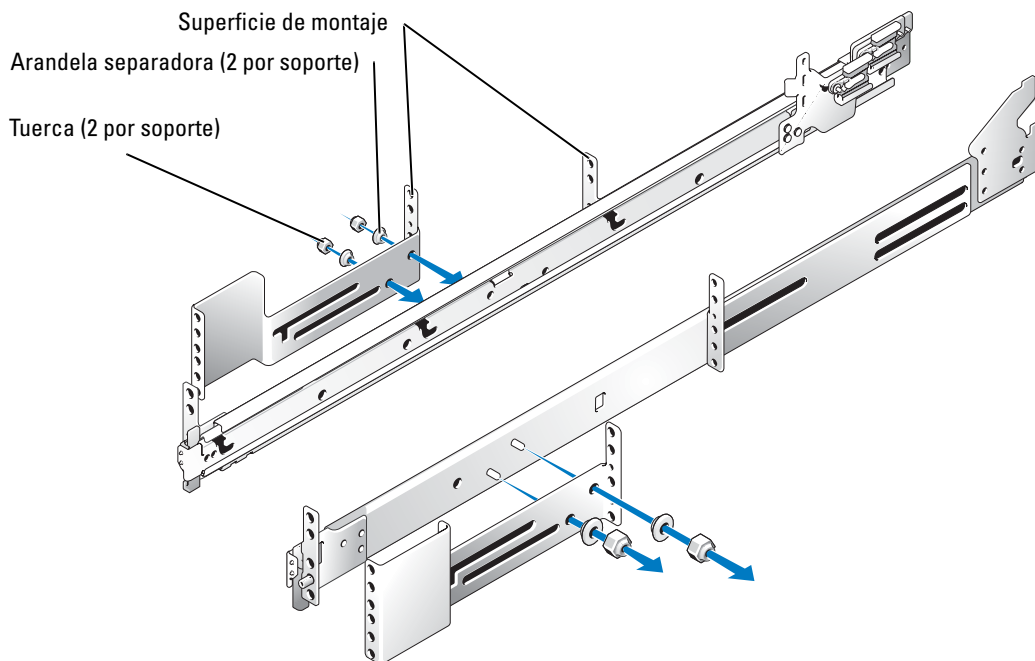
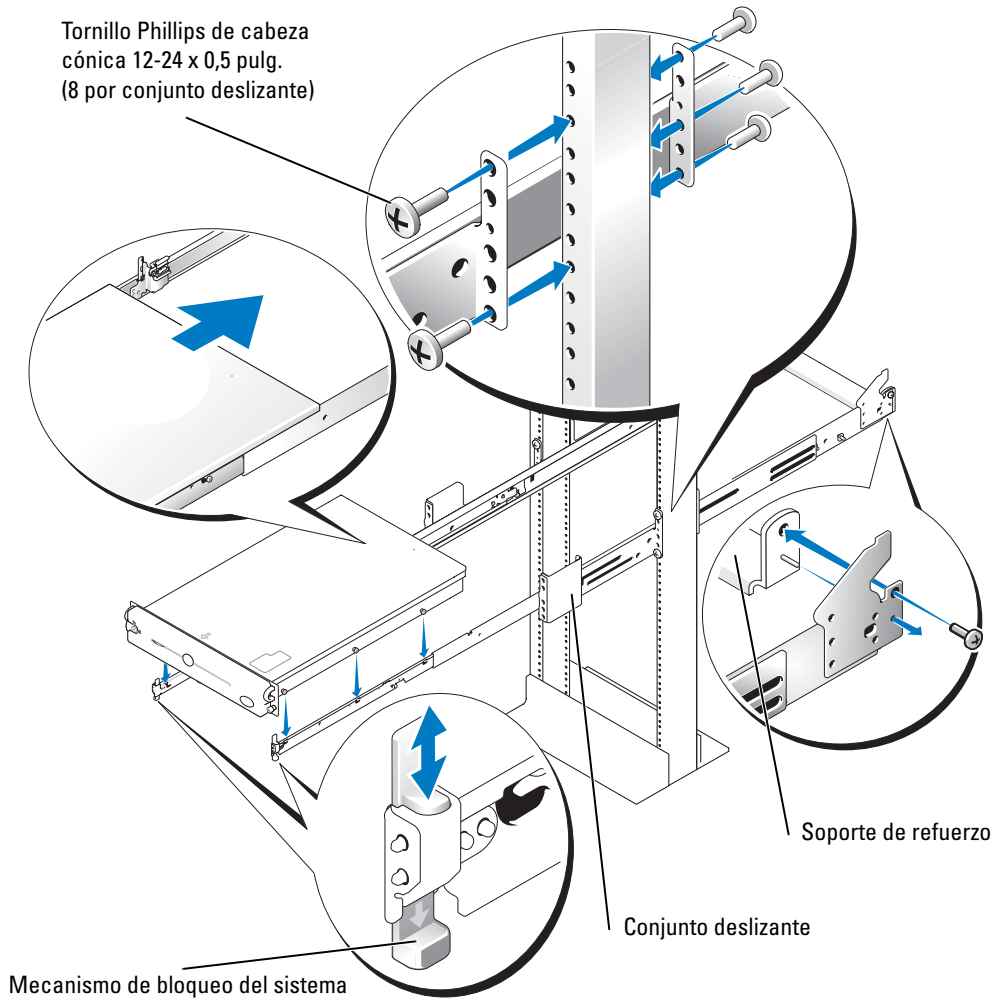



Figura 5-16. Instalación de los conjuntos deslizantes para una configuración de montaje centrado



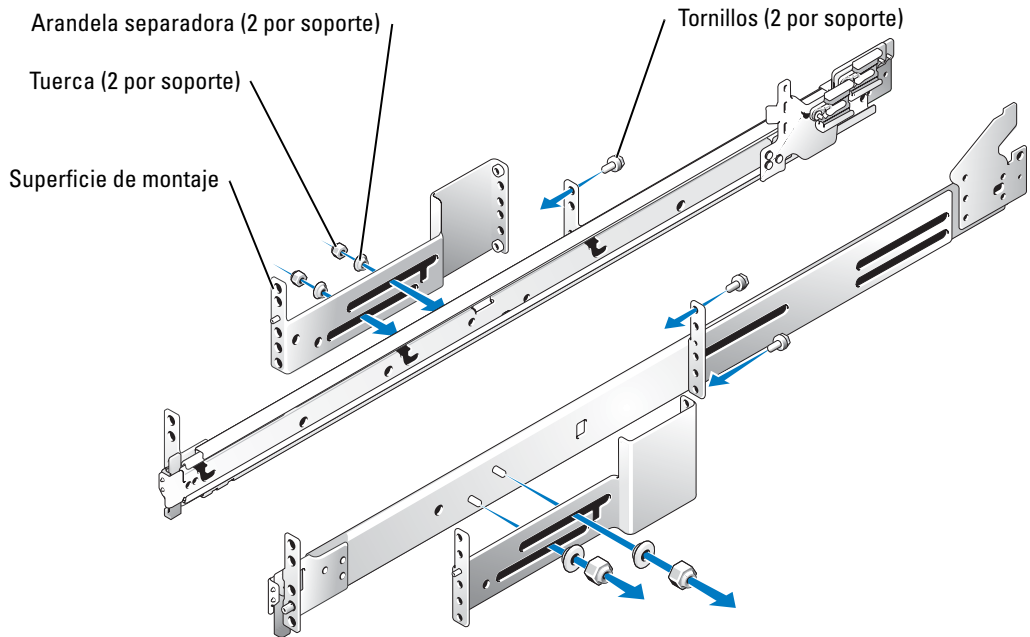
Montaje a ras

El kit de rack de dos postes se entrega con los soportes configurados para el montaje centrado. Para preparar los conjuntos deslizantes para el montaje a ras en el rack de dos postes, siga estos pasos:

- 1 Localice los dos conjuntos deslizantes y colóquelos uno al lado del otro en una superficie lisa con los extremos frontales hacia usted. Coloque ambos conjuntos deslizantes de forma que los soportes centrales queden hacia arriba (consulte la figura 5-17).
-  **NOTA:** para preparar los conjuntos deslizantes para el montaje a ras, extraiga el soporte de montaje frontal, gírelo 180 grados y vuelva a colocarlo en el conjunto deslizante opuesto.
- 2 Con un destornillador Phillips del n° 2 y una llave de 11/32 pulgadas, quite los dos tornillos Phillips con arandela 12-24 x 0,5 pulgadas, las dos tuercas y las dos arandelas separadoras de cada soporte central (consulte la figura 5-17).
- 3 Extraiga el soporte frontal de ambos conjuntos deslizantes.
- 4 Coloque el soporte de uno de los conjuntos deslizantes en los espárragos del conjunto deslizante opuesto, con el soporte girado 180 grados, de modo que la superficie de montaje quede hacia delante (consulte la figura 5-17).
- 5 Fije cada soporte de montaje centrado frontal (con sus tuercas y arandelas separadoras) apretándolos con los dedos en sus conjuntos deslizantes opuestos utilizando las dos arandelas separadoras y las dos tuercas extraídas en el paso 2 (consulte la figura 5-17).

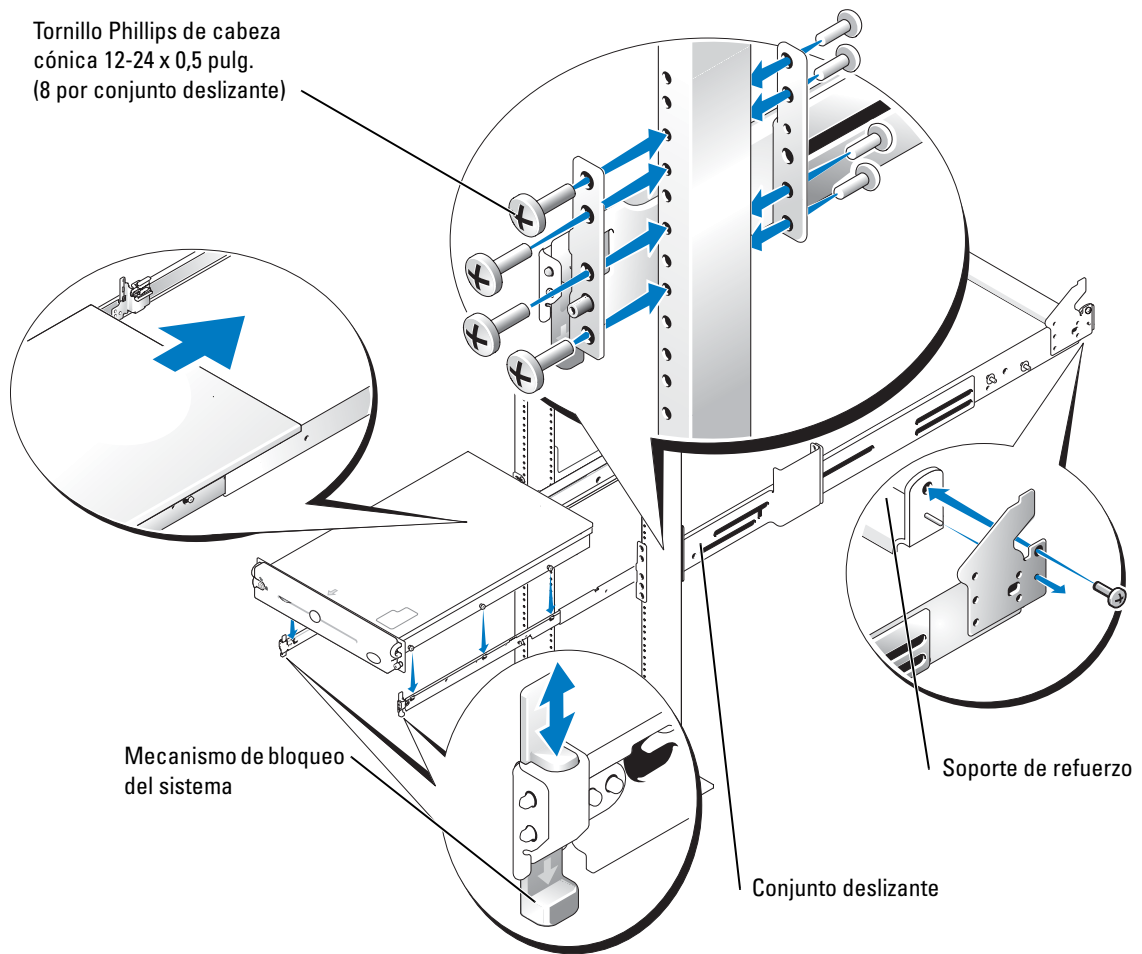
El soporte unido pasa a ser el nuevo soporte posterior extendido.

Figura 5-17. Rotación del soporte de montaje frontal para el montaje a ras



- 6 Repita los pasos 4 y 5 para configurar el otro conjunto deslizante.
- 7 Sujetando el conjunto deslizante izquierdo en su sitio en el punto marcado del rack de dos postes, ajuste el soporte posterior extendido contra el rack vertical de dos postes y fíjelo mediante cuatro tornillos Phillips con arandela 12-24 x 0,5 pulgadas (consulte la figura 5-18).
- 8 Fije el soporte frontal del conjunto deslizante al riel de dos postes mediante cuatro tornillos Phillips con arandela 12-24 x 0,5 pulgadas (consulte la figura 5-18).
NOTA: utilice los cuatro tornillos para asegurarse de que el soporte está bien sujeto al riel.
- 9 Realice los pasos 7 y 8 para instalar el conjunto deslizante derecho en el rack.

Figura 5-18. Instalación de los conjuntos deslizantes para una configuración de montaje a ras



- 10** Utilice una llave de 11/32 pulgadas para apretar firmemente las tuercas de los soportes de montaje de ambos conjuntos deslizantes que antes apretó con los dedos.
- 11** Instale el soporte de refuerzo entre los extremos posteriores de los conjuntos deslizantes y fije el soporte mediante un tornillo Phillips con arandela 12-24 x 0,5 pulgadas en cada conjunto deslizante (consulte la figura 5-18).

Instalación del sistema en el rack



PRECAUCIÓN: debido al tamaño y al peso del sistema, no intente nunca instalarlo sin ayuda.



NOTA: el procedimiento para instalar un sistema en un rack es idéntico tanto para los conjuntos deslizantes de montaje a ras como de montaje centrado.

- 1 Extraiga completamente los conjuntos deslizantes.



PRECAUCIÓN: debido al tamaño y al peso del sistema, no intente nunca instalarlo en los conjuntos deslizantes sin ayuda.

- 2 Levante el sistema hasta que quede en su sitio (consulte la figura 5-18).
- 3 Coloque una mano en la parte inferior frontal del sistema y la otra en la parte inferior posterior.
- 4 Incline la parte posterior del sistema hacia abajo mientras alinea los tornillos de pivote posteriores situados en los laterales del sistema con las ranuras posteriores de los conjuntos deslizantes.
- 5 Coloque los tornillos de pivote posteriores en sus ranuras.
- 6 Baje la parte frontal del sistema y coloque los tornillos de pivote centrales y frontales en sus ranuras. La ranura central se encuentra justo detrás del pasador de liberación del sistema (consulte la figura 5-18).

Cuando todos los tornillos de pivote estén colocados correctamente, el mecanismo de bloqueo del sistema en la parte frontal de cada conjunto deslizante encajará en su sitio y bloqueará el sistema en el conjunto deslizante.

- 7 Presione el pasador de liberación situado en el lateral de cada conjunto deslizante para insertar completamente el sistema en el rack (consulte la figura 5-18).
- 8 Apriete los tornillos moleteados cautivos en cada lateral del panel frontal del chasis para fijar el sistema al rack.



NOTA: para extraer el sistema de los conjuntos deslizantes, presione el mecanismo de bloqueo por donde está marcado y tire del sistema hacia delante.

Instalación del brazo para tendido de cables

Consulte “Instalación del brazo para tendido de cables” en la sección “Instalación del rack de cuatro postes” que aparece anteriormente en este documento.

Cableado

Consulte “Cableado” en la sección “Instalación del rack de cuatro postes” que aparece anteriormente en este documento.

Ha completado la instalación del kit de rack en un rack de dos postes.

Índice

B

brazo para tendido de cables
cablear, 5-19, 5-30
instalar, 5-16, 5-30

C

cablear, 5-30
cables, 5-19
contenido del kit
RapidRails, 5-8
VersaRails, 5-9

contenido enumerado
kit de dos postes, 5-22
kit RapidRails, 5-8
kit VersaRails, 5-8

H

herramientas
kits de cuatro postes, 5-7
kits de dos postes, 5-21

I

instalar
brazo para tendido de cables, 5-30
conjuntos deslizantes de dos postes, 5-24

instalar (*continuación*)
conjuntos deslizantes
RapidRails, 5-12
conjuntos deslizantes
VersaRails, 5-13
instalar el sistema
rack de cuatro postes, 5-14
rack de dos postes, 5-30
instrucciones de seguridad, 5-5

K

kit de cuatro postes
conjuntos deslizantes
RapidRails, 5-12
conjuntos deslizantes
VersaRails, 5-13
contenido del kit
RapidRails, 5-8
contenido del kit
VersaRails, 5-8
herramientas, 5-7
instalar el brazo para tendido de cables, 5-16
instalar el sistema, 5-14
marcar el rack, 5-10
tareas, 5-9

kit de dos postes
cablear, 5-30
contenido, 5-22
herramientas, 5-21

kit de dos postes
(*continuación*)
instalar conjuntos deslizantes, 5-24
instalar el brazo para tendido de cables, 5-30
instalar el sistema, 5-30
marcar el rack, 5-22
montaje a ras, 5-27
montaje centrado, 5-24
soporte de refuerzo, 5-22
tareas, 5-21

M

marcar el rack
kit de dos postes, 5-22
kits de cuatro postes, 5-10
montaje en rack
sistema, 5-14-5-15

P

pies estabilizadores del rack, 5-7
precauciones para el montaje del rack, 5-7
puertas
colocar, 5-20
extraer, 5-9

R

- requisitos del rack
 - para VersaRails, 5-6
- rieles verticales
 - marcar, 5-10
 - una unidad de rack, 5-10

S

- soporte de refuerzo, 5-22
 - instalar, 5-25, 5-29

T

- tareas
 - kit de cuatro postes, 5-9
 - kit de dos postes, 5-21

U

- unidad de rack, 5-10